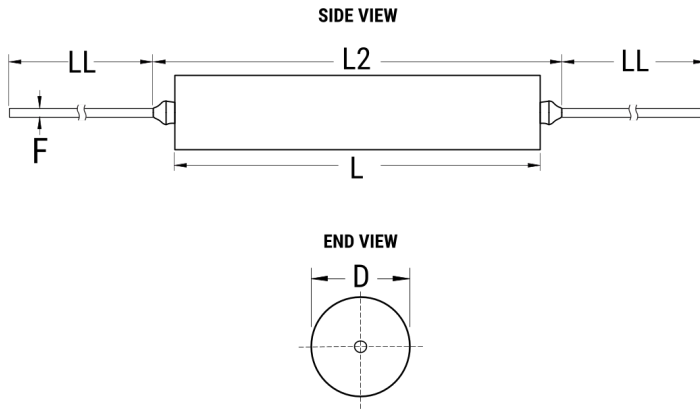


T111C236K020AS

Aliases (T111C236K020AS{Bulk})

T111, Tantalum, MnO₂ Tantalum, Commercial Grade, 23 uF, 10%, 20 VDC



Click [here](#) for the 3D model.

Dimensions

| | |
|----|----------------------|
| D | 7.98mm +0.25/-0.38mm |
| L | 34.29mm +/-0.79mm |
| L2 | 38.74mm |
| LL | 38.1mm +/-6.35mm |
| F | 0.64mm +/-0.05mm |

Packaging Specifications

| | |
|--------------------|-----------|
| Packaging | Bulk, Bag |
| Packaging Quantity | 10 |

General Information

| | |
|--------------|------------------------------------------------------------------------------------------------------------------------------|
| Series | T111 |
| Dielectric | MnO ₂ Tantalum |
| Style | Axial Hermetic |
| Description | Axial, Solid Tantalum, Hermetically Sealed, Military (Non-ER), Non-Polar |
| Features | BiPolar, Low Leakage, Low DF |
| RoHS | No |
| Prop 65 | ⚠ WARNING: Cancer and reproductive harm - http://www.p65warnings.ca.gov . |
| SCIP Number | be146961-2c72-4b45-804a-c62bf7a8b23e |
| Termination | Lead (SnPb) |
| Lead | Wire Leads |
| AEC-Q200 | No |
| Construction | Hermetic |
| Notes | Dimensions Include Insulation Sleeve. |

Specifications

| | |
|-----------------------|----------------------------------------------------------|
| Capacitance | 23 uF |
| Capacitance Tolerance | 10% |
| Voltage DC | 20 VDC (85C), 16 VDC (125C Surge), 13 VDC (125C Reverse) |
| Temperature Range | -55/+125°C |
| Rated Temperature | 85°C |
| Dissipation Factor | 6% |
| Leakage Current | 4.5 uA (25°C) |