

<b>PCN Number:</b>	20160610005A	<b>PCN Date:</b>	Sept. 14, 2016
<b>Title:</b>	Qualify 2mm pitch Carrier Tape for select DSBGA and uSIP Devices		
<b>Customer Contact:</b>	<a href="#">PCN Manager</a>	<b>Dept:</b>	Quality Services
<b>Change Type:</b>			
<input type="checkbox"/>	Assembly Site	<input type="checkbox"/>	Design
<input type="checkbox"/>	Assembly Process	<input type="checkbox"/>	Data Sheet
<input type="checkbox"/>	Assembly Materials	<input type="checkbox"/>	Part number change
<input type="checkbox"/>	Mechanical Specification	<input type="checkbox"/>	Test Site
<input checked="" type="checkbox"/>	Packing/Shipping/Labeling	<input type="checkbox"/>	Test Process
		<input type="checkbox"/>	Wafer Bump Site
		<input type="checkbox"/>	Wafer Bump Material
		<input type="checkbox"/>	Wafer Bump Process
		<input type="checkbox"/>	Wafer Fab Site
		<input type="checkbox"/>	Wafer Fab Materials
		<input type="checkbox"/>	Wafer Fab Process

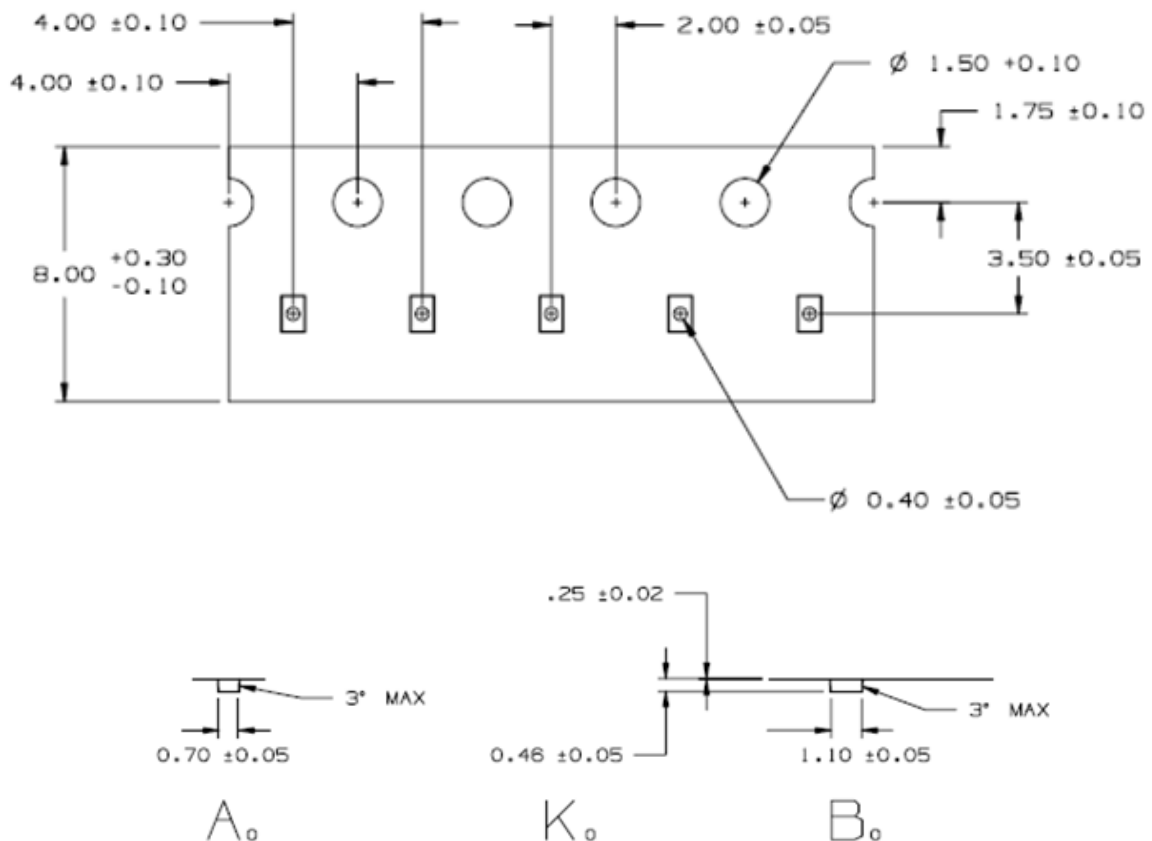
### PCN Details

#### Description of Change:

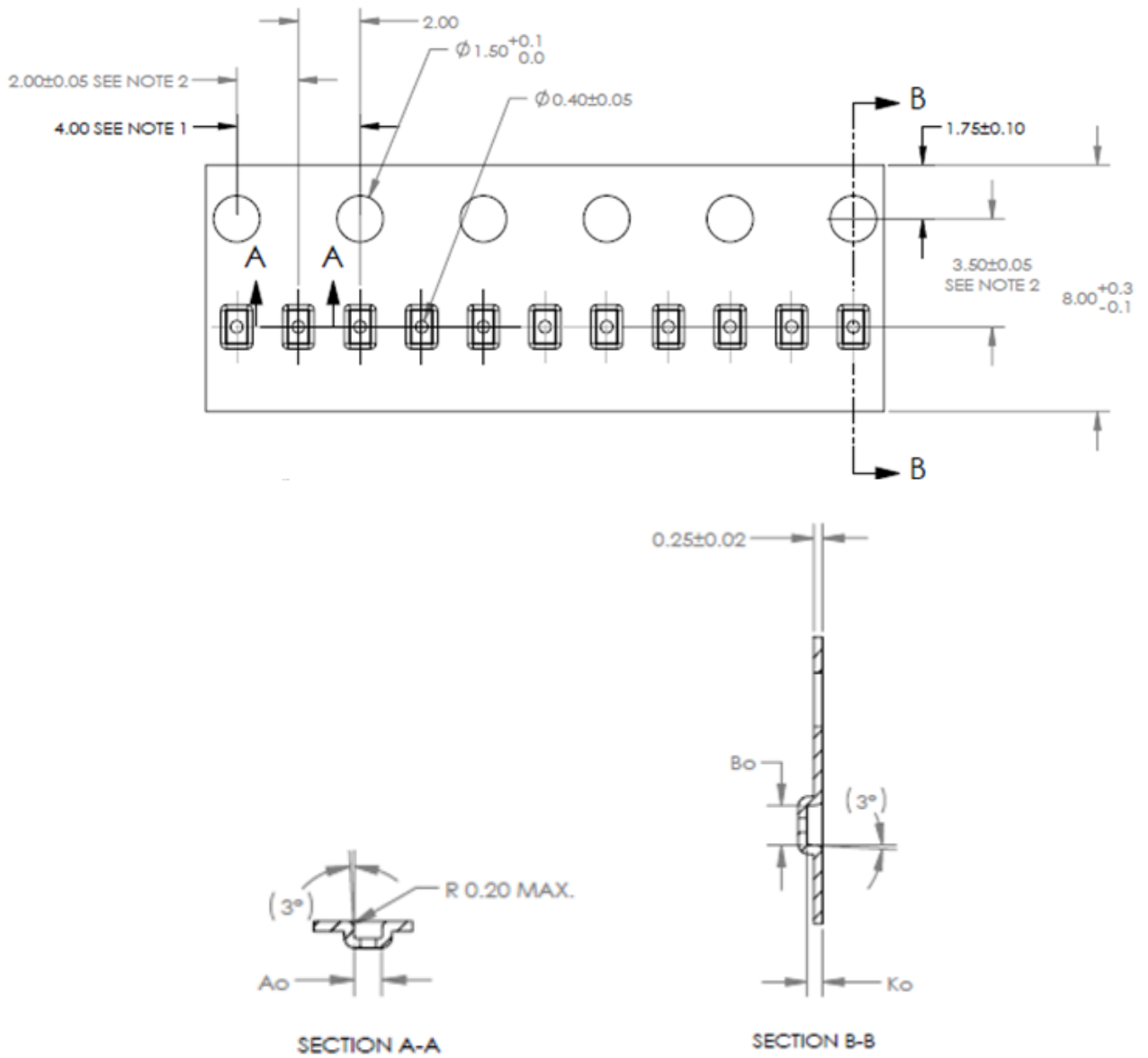
Revision A is to update the description of change to provide additional information on the 2mm carrier pitch packing method differentiating this from the 4mm pitch carrier tape. We apologize for any inconvenience this may have caused.

Texas Instruments is pleased to announce the qualification of 2mm pitch carrier tape for select DSBGA and uSIP Devices. These devices are currently shipped in 4mm pitch carrier tape. Carrier tape design summary as follows:

#### Current Design:



**Proposed Design:**



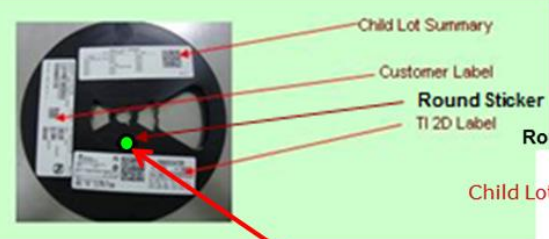
**Dimensional Comparison:**

	<b>From</b>	<b>To</b>
Stock #/Supplier	4156725-0271 /3M	4142781 -0050/ADVANTEK
Ao	0.70mm +/-0.05	0.70mm +/-0.03
Bo	1.10mm +/-0.05	1.10mm +/-0.03
Ko	0.46mm +/-0.05	0.43mm +/-0.03
P1 pitch	4.00mm +/-0.10	2.00mm +/-0.10
P2	2.00mm +/-0.05	2.00mm +/-0.05
Po	4.00mm +/-0.10	4.00mm +/-0.10
W	8.00mm +.3/-0.1	8.00mm +.3/-0.1
T	0.25 +/-0.02	0.25 +/-0.02
Do	1.5deg +/-0.10	1.5deg +/-0.10
D1	0.5deg +/-0.05	0.5deg +/-0.05
E1	1.75mm +/-0.10	1.75mm +/-0.10
F	3.50mm +/-0.05	3.50mm +/-0.05

**Additional Packing Information:**

**Green Dot Sticker added to 2mm Carrier Tape**

Green dot location for 7" reel



Green dot location for 7" bag



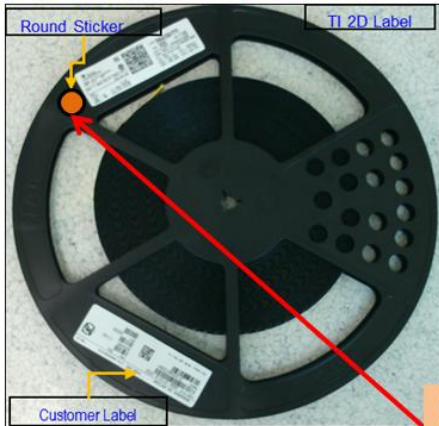
**LOCATION OF GREEN DOT STICKER**

Green dot location for 7" box

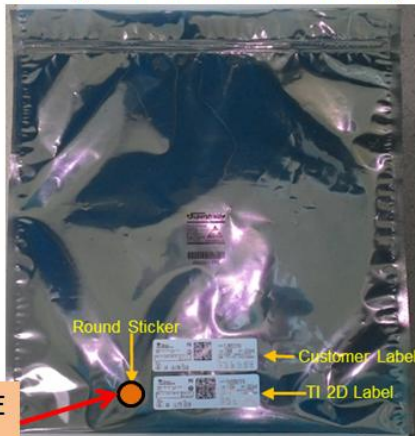


**Orange Dot Sticker added to 4mm Carrier Tape**

Orange dot location for 13" reel

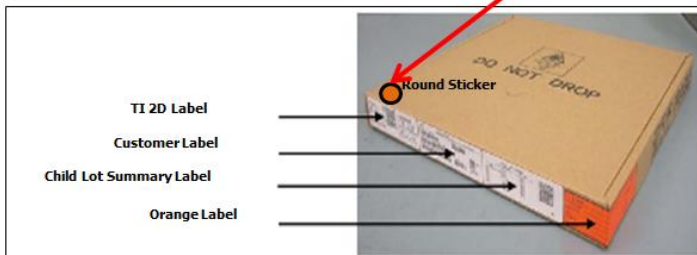


Orange dot location for 13" bag



**LOCATION OF ORANGE DOT STICKER**

Orange dot location for 13" box



<b>Reason for Change:</b>			
Business Continuity			
<b>Anticipated impact on Form, Fit, Function, Quality or Reliability (positive / negative):</b>			
None			
<b>Anticipated impact on Material Declaration</b>			
<input checked="" type="checkbox"/>	No Impact to the Material Declaration	<input type="checkbox"/>	Material Declarations or Product Content reports are driven from production data and will be available following the production release. Upon production release the revised reports can be obtained from the <a href="#">TI ECO website</a> .
<b>Changes to product identification resulting from this PCN:</b>			
Not Applicable			
<b>Product Affected:</b>			
BQ25100AYFPR	PN2400A1A4YFFR	TMP108AIYFFR	TPS72730YFFR
BQ25100AYFPT	PN2400A1A4YFFT	TMP108AIYFFT	TPS72730YFFT
BQ25100HYFPR	PN2400A1A5YFFR	TMP421YZDR	TPS72733YFFR
BQ25100HYFPT	PN2400A1A5YFFT	TMP421YZDT	TPS72733YFFT
BQ25100YFPR	PN2400A1A6YFFR	TPS22902BYFPR	TPS72746YFFR
BQ25100YFPT	PN2400A1A6YFFT	TPS22902YFPR	TPS72746YFFT
BQ25101HYFPR	PN2400A1A7YFFR	TPS22905YFPR	TPS72748YFFR
BQ25101HYFPT	PN2400A1A7YFFT	TPS22905YFPT	TPS72748YFFT
BQ25101YFPR	PN2400A1A8YFFR	TPS22908YZTR	TPS72750YFFR
BQ25101YFPT	PN2400A1A8YFFT	TPS22908YZTT	TPS72750YFFT
BQ51020YFPR	PN2400A1A9YFFR	TPS22913BYZVR	TPS728175295YZUR
BQ51020YFPT	PN2400A1A9YFFT	TPS22913BYZVT	TPS728175295YZUT
BQ51021YFPR	PN2400B0A1YFFR	TPS22914BYFPR	TPS728180285YZUR
BQ51021YFPT	PN2400B0A1YFFT	TPS22914BYFPT	TPS728180285YZUT
BQ51023YFPR	PN2400B0A2YFFR	TPS22914CYFPR	TPS728180300YZUR
BQ51023YFPT	PN2400B0A2YFFT	TPS22914CYFPT	TPS728180300YZUT
BQ51025YFPR	PN2400B0A3YFFR	TPS22915BYFPR	TPS728185295YZUR
BQ51025YFPT	PN2400B0A3YFFT	TPS22915BYFPT	TPS728185295YZUT
BQ51121YFPR	PN2400B0A4YFFR	TPS22915CYFPR	TPS728185315YZUR
BQ51121YFPT	PN2400B0A4YFFT	TPS22915CYFPT	TPS728185315YZUT
BQ51220YFPR	PN2400B0A5YFFR	TPS22920LYZPR	TPS728285180YZUR
BQ51220YFPT	PN2400B0A5YFFT	TPS22920LYZPT	TPS728285180YZUT
BQ51221AYFPR	PN2400B0A6YFFR	TPS22920YZPR	TPS728330180YZUR
BQ51221AYFPT	PN2400B0A6YFFT	TPS22920YZPRB	TPS728330180YZUT
BQ51221SYFPR	PN2400B0A7YFFR	TPS22920YZPT	TPS79901YZUR
BQ51221SYFPT	PN2400B0A7YFFT	TPS22920YZPTB	TPS79901YZUT
BQ51221YFPR	PN2400B0A8YFFR	TPS22921YFPR	TPS799125YZUR
BQ51221YFPT	PN2400B0A8YFFT	TPS22922YFPR	TPS799125YZUT
BQ55221YFPR	PN2400B0A9YFFR	TPS22922YFPRB	TPS79912YZUR
BQ55221YFPT	PN2400B0A9YFFT	TPS22922YFPTB	TPS79912YZUT
CD3271A2YZPR	PSN2400B0AYFFR	TPS22924XYZZT	TPS79913YZUR
CD3277A0YZPR	PSN2400B0AYFFT	TPS22924ZYZZR	TPS79913YZUT

CD328117A0YZPR	PTPS22914BYFPT	TPS22930AYZVR	TPS79915YZUR
CD328127A0YZPR	PTPS22914CYFPR	TPS22930AYZVT	TPS79915YZUT
CD328136A0YZPR	PTPS22914CYFPT	TPS22951YFPR	TPS799185YZUR
CD328137A0YZPR	PTPS22915BYFPR	TPS22963CYZPR	TPS799185YZUT
CD328146A0YZPR	PTPS22915BYFPT	TPS22963CYZPT	TPS79918YZUR
CD328148A0YZPR	PTPS22915CYFPR	TPS22964CYZPR	TPS79918YZUT
CD3281C1YZPR	PTPS22915CYFPT	TPS22964CYZPT	TPS799195YZUR
CDCMP311YFGR	PTPS22920LYZPR	TPS61046YFFR	TPS799195YZUT
CDCMP312YFGR	PTPS22920LYZPT	TPS61046YFFT	TPS79919YZUR
CSD13201W10	PTPS22922YFPR	TPS61240YFFR	TPS79919YZUT
CSD13302W	PTPS22924ZAYZZR	TPS61240YFFT	TPS79920YZUR
CSD13302WT	PTPS22924ZBYZZR	TPS61241YFFR	TPS79920YZUT
CSD13303W1015	SN0807057YFGR	TPS61241YFFT	TPS79921YZUR
CSD13306W	SN1303032YFPR	TPS62320YZDR	TPS79921YZUT
CSD13306WT	SN1303032YFPT	TPS62320YZDT	TPS79925YZUR
CSD13381F4	SN1502009R	TPS62601YFFR	TPS79925YZUT
CSD13381F4R	SN1502009T	TPS62601YFFT	TPS79926YZUR
CSD13381F4T	SN2025YFFR	TPS62611YFDR	TPS79926YZUT
CSD13383F4	SN2025YFFT	TPS62611YFDT	TPS799275YZUR
CSD13383F4T	SN2125YFFR	TPS62620YFFR	TPS799275YZUT
CSD17381F4	SN2125YFFT	TPS62620YFFT	TPS79927YZUR
CSD17381F4R	SN2400A1YFFR	TPS62621YFFR	TPS79927YZUT
CSD17381F4T	SN2400AB0YFFR	TPS62621YFFT	TPS799285YZUR
CSD17382F4	SN2400B0YFFR	TPS62622YFFR	TPS799285YZUT
CSD17382F4T	SN2400B0YFFT	TPS62622YFFT	TPS79928YZUR
CSD17483F4	SN51221YFPR	TPS62623YFFR	TPS79928YZUT
CSD17483F4R	SN51221YFPT	TPS62623YFFT	TPS79930YZUR
CSD17483F4T	SN74AUC1G02YZPR	TPS62624YFFR	TPS79930YZUT
CSD23203W	SN74AUC1G126YZPR	TPS62624YFFT	TPS799315YZUR
CSD23203WT	SN74AUC2G53YZTR	TPS62625YFFR	TPS799315YZUT
CSD23381F4	SN74AUP1G125YZTR	TPS62625YFFT	TPS79932YZUR
CSD23381F4R	SN74LVC1G04YZVR	TPS62660YFFR	TPS79932YZUT
CSD23381F4T	SN74LVC1G08YZPR	TPS62660YFFT	TPS79933YZUR
CSD23382F4	SN74LVC1G08YZPRB	TPS62665YFFR	TPS79933YZUT
CSD23382F4T	SN74LVC1G17YZTR	TPS62665YFFT	TPS79945YZUR
CSD25211W1015	SN74LVC1G32YZPR	TPS62670SIPR	TPS79945YZUT
CSD25213W10	SN74LVC2G241YZPR	TPS62670SIPT	TPS799L54YZYR
CSD25301W1015	SN74LVC2G66YZPR	TPS62671YFDR	TPS799L54YZYT
CSD25481F4	SN74LVC2G66YZPR-A	TPS62671YFDT	TPS799L57YZYR
CSD25481F4R	SN74LVC2T45YZPR	TPS626751YFDR	TPS799L57YZYT
CSD25481F4T	SNAA038AYFFR	TPS626751YFDT	TPS82670SIPR
CSD25483F4	TAFP3001YFMR	TPS62675YFDR	TPS82670SIPT
CSD25483F4R	TAFP3001ZYFMR	TPS62675YFDT	TPS826711SIPR
CSD25483F4T	TAIC3027A0YFFR	TPS626765YFDR	TPS826711SIPT

CSD58871W10	TCA9406YZPR	TPS626765YFDT	TPS826716SIPR
CSD58874W1015	THS7320IYHCR	TPS62679ZYFMR	TPS826716SIPT
CSD58890W	THS7320IYHCT	TPS62679ZYFMT	TPS82671SIPR
CSD58890W10	TLV70512YFPR	TPS62690SIPR	TPS82671SIPT
CSD58891W	TLV70512YFPT	TPS62690SIPT	TPS826721SIPR
CSD58893F4	TLV70515YFPR	TPS62690YFFR	TPS826721SIPT
CSD58894W	TLV70515YFPT	TPS62690YFFT	TPS82672SIPR
CSD58898F4	TLV705185YFPR	TPS62693YFDR	TPS82672SIPT
CSD58908F4	TLV705185YFPT	TPS62693YFDT	TPS82673SIPR
CSD68801W1015-R	TLV70518PYFPR	TPS62697YFFR	TPS82673SIPT
CSD68813W10	TLV70518PYFPT	TPS62697YFFT	TPS826745SIPR
CSD68822F4	TLV70518YFPR	TPS62698YFDR	TPS826745SIPT
CSD68829F4	TLV70518YFPT	TPS62698YFDT	TPS82674SIPR
CSD75203W1015	TLV70525PYFPR	TPS62743YFPR	TPS82674SIPT
DRV201AYFMR	TLV70525PYFPT	TPS62743YFPT	TPS82675SIPR
DRV201AYFMT	TLV70525YFPR	TPS62746AYFPR	TPS82675SIPT
DRV201AYMBR	TLV70525YFPT	TPS62746AYFPT	TPS826765SIPR
DRV201AYMBRB	TLV705285YFPR	TPS62748YFPR	TPS826765SIPT
DRV201YFMR	TLV705285YFPT	TPS62748YFPT	TPS82676SIPR
DRV201YFMT	TLV70528YFPR	TPS72009YZUR	TPS82676SIPT
DRV201YMBR	TLV70528YFPT	TPS72009YZUT	TPS82677SIPR
HPA01209SIPR	TLV70530YFPR	TPS720105YZUR	TPS82677SIPT
HPA01210SIPR	TLV70530YFPT	TPS720105YZUT	TPS82692SIPR
HPA02270YZPR	TLV70533YFFR	TPS72011YZUR	TPS82692SIPT
INA216A1YFFR	TLV70533YFFT	TPS72011YZUT	TPS82693SIPR
INA216A1YFFT	TLV70533YFPR	TPS72012YZUR	TPS82693SIPT
INA216A2YFFR	TLV70533YFPT	TPS72012YZUT	TPS826951SIPR
INA216A2YFFT	TLV70534YFPR	TPS72013YZUR	TPS826951SIPT
INA216A3YFFR	TLV70534YFPT	TPS72013YZUT	TPS82695SIPR
INA216A3YFFT	TLV70536YFPR	TPS72015YZUR	TPS82695SIPT
INA216A4YFFR	TLV70536YFPT	TPS72015YZUT	TPS82697SIPR
INA216A4YFFT	TMP103AYFFR	TPS72017YZUR	TPS82697SIPT
LP5910-0.9YKAR	TMP103AYFFT	TPS72017YZUT	TPS82698SIPR
LP5910-1.0YKAR	TMP103BYFFR	TPS72018YZUR	TPS82698SIPT
LP5910-1.2YKAR	TMP103BYFFT	TPS72018YZUT	TPSPS22920L
LSF0102YZTR	TMP103CYFFR	TPS727105YFFR	TS3A26746EYZPR
OPA330AIYFFR	TMP103CYFFT	TPS727105YFFT	TS5A3359YZPR
OPA330AIYFFT	TMP103DYFFR	TPS72711YFFR	TS5A3669YFPR
P5910-09YKAR	TMP103DYFFT	TPS72711YFFT	TXB0102YZPR
P5910-10YKAR	TMP103EYFFR	TPS72715YFFR	TXS0102YZPR
P5910-12YKAR	TMP103EYFFT	TPS72715YFFT	TXS0202YZPR
P5910-18YKAR	TMP103FYFFR	TPS727185YFFR	WL8PM27YFDR
PCA9306YZTR	TMP103FYFFT	TPS727185YFFT	WL8PM27YFDT
PN2400A1A1YFFR	TMP103GYFFR	TPS72718YFFR	XCSD13302W

PN2400A1A1YFFT	TMP103GYFFT	TPS72718YFFT	XCSD13306W
PN2400A1A2YFFR	TMP103HYFFR	TPS72719YFFR	XCSD23203W
PN2400A1A2YFFT	TMP103HYFFT	TPS72719YFFT	XCSD58890W
PN2400A1A3YFFR	TMP104YFFR	TPS72728YFFR	XCSD58894W
PN2400A1A3YFFT	TMP104YFFT	TPS72728YFFT	

## Qualification Report



Revision: B

EQ# :  
A/T Site: TI Clark

### WCSP Carrier Tape Qualification Summary

Reference (QSS 003-008, 005-701, 007-102, 009-006, 014-102)

Supplier:	<u>Advantek Carrier Tape</u>
Vendor Part No:	<u>AAP203-A</u>
TI Part No:	<u>For Application</u> (if available)
Weight/meter (g):	_____
Material:	<u>Polycarbonate (PC)</u>
Package Description	<u>WCSP</u>
Package Designator:	<u>YJC</u>
Result:	<u>Passed</u>
Date:	_____

I. First Article Inspection Test	<u>Pass</u> (Pass/Fail)
II. Manufacturability Test	<u>Pass</u>
III. Dimensional Test	<u>Pass</u>
IV. Camber Test	<u>Pass</u>
V. Surface Resistivity Test	<u>Pass</u>
VI. Fit Analysis	<u>Pass</u>
VII. Drop Test	<u>Pass</u>

For questions regarding this notice, e-mails can be sent to the regional contacts shown below or your local Field Sales Representative.

<b>Location</b>	<b>E-Mail</b>
USA	<a href="mailto:PCNAmericasContact@list.ti.com">PCNAmericasContact@list.ti.com</a>
Europe	<a href="mailto:PCNEuropeContact@list.ti.com">PCNEuropeContact@list.ti.com</a>
Asia Pacific	<a href="mailto:PCNAsiaContact@list.ti.com">PCNAsiaContact@list.ti.com</a>
Japan	<a href="mailto:PCNJapanContact@list.ti.com">PCNJapanContact@list.ti.com</a>