

1. 製品名称 / PRODUCT NAME : 0.5 FPC CONN. ZIF ST EMBOSSED TAPE PACKAGING
 製品番号 / PART NUMBER : 7 8 1 2 7 - * * 1 0
 7 8 1 2 7 - * * 2 0
 7 8 1 2 7 - * * 3 3
 (* * は極数を示す)
 (* * IS CIRCUITS SIZE)

2. 標準梱包数 / STANDARD PACKAGING QUANTITY

| 極数 CKT. SIZE | キャリア テープ幅 (mm) CARRIER TAPE WIDTH (mm) | 1 リール中の製品数 QTY. PER REEL | 外装カートン SHIPPING CARTON | |
|--------------------|-------------------------------------------------|-----------------------------|---------------------------|-----------------|
| | | | 梱包リール数 NUMBER OF REELS | 製品数 QUANTITY |
| 6 | 16 | 2,000 | 8 | 16,000 |
| 7 | | | | |
| 8 | | | | |
| 9 | | | | |
| 10 | | | | |
| 11 | | | | |
| 12 | | | | |
| 13 | | | | |
| 14 | | | | |

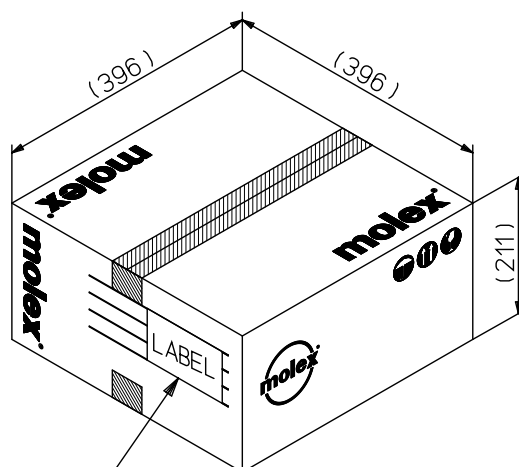
| | | | | | | |
|------------------------------|------------------------------------------------------------------------------------------------------------------------------------------------|--------|----------------------------------------------------|---------------------------|-----------------------|---------------------|
| REV. | A | | | | | |
| SHEET | 1~3 | | | | | |
| REVISE ON PC ONLY | | | TITLE: | | | |
| A | RELEASED 105360 2016/05/31 T.NAKAGAWA | | 7 8 1 2 7 梱包仕様書 SALES PACKAGING SPEC. FOR 78127 | | | |
| | THIS DOCUMENT CONTAINS INFORMATION THAT IS PROPRIETARY TO MOLEX ELECTRONIC TECHNOLOGIES, LLC AND SHOULD NOT BE USED WITHOUT WRITTEN PERMISSION | | | | | |
| REV. | DESCRIPTION | | | | | |
| DESIGN CONTROL J | | STATUS | WRITTEN BY: T.NAKAGAWA01 | CHECKED BY: T.HARUYAMA | APPROVED BY: Y.ITO | DATE: 2016/05/31 |
| DOCUMENT NUMBER 781279200 | | | DOC. TYPE PS | DOC. PART 201 | CUSTOMER GENERAL | SHEET 1 OF 3 |

| 極 数 CKT. SIZE | キャリア テープ幅 (mm) CARRIER TAPE WIDTH (mm) | 1 リール中の製品数 QTY. PER REEL | 外装カートン SHIPPING CARTON | |
|---------------------|-------------------------------------------------|-----------------------------|---------------------------|-----------------|
| | | | 梱包リール数 NUMBER OF REELS | 製品数 QUANTITY |
| 15 | 24 | 2,000 | 6 | 12,000 |
| 16 | | | | |
| 17 | | | | |
| 18 | | | | |
| 19 | | | | |
| 20 | | | | |
| 21 | | | | |
| 22 | | | | |
| 23 | | | | |
| 24 | | | | |
| 25 | | | | |
| 26 | | | | |
| 27 | | | | |
| 28 | | | | |
| 29 | 32 | 2,000 | 4 | 8,000 |
| 30 | | | | |
| 31 | | | | |
| 32 | | | | |
| 33 | | | | |
| 34 | | | | |
| 35 | | | | |
| 36 | | | | |

| | | | | |
|------------------------------|------------------|------------------------------------------------------------------------------------------------------------------------------------------------|-----------|-----------------|
| REVISE ON PC ONLY | | TITLE: | | |
| A | SEE SHEET 1 OF 3 | 7 8 1 2 7 梱包仕様書 SALES PACKAGING SPEC. FOR 78127 | | |
| | | THIS DOCUMENT CONTAINS INFORMATION THAT IS PROPRIETARY TO MOLEX ELECTRONIC TECHNOLOGIES, LLC AND SHOULD NOT BE USED WITHOUT WRITTEN PERMISSION | | |
| REV. | DESCRIPTION | DOC. TYPE | DOC. PART | CUSTOMER |
| | | PS | 201 | GENERAL |
| DOCUMENT NUMBER 781279200 | | | | SHEET 2 OF 3 |

3. カートン外形参考寸法 / CARTON OUTER DIMENSIONS (REFERENCE PURPOSE ONLY)

単位 / UNIT: mm



カートンラベル
CARTON LABEL

(製品型番, 数量, ロットNO. 表示)
INDICATION OF PART No., QUANTITY, LOT No.

標準カートン
STANDARD CARTON

| | | | | | |
|-------------------------------------|-------------------|------------------------------------------------------------------------------------------------------------------------------------------------|-------------------------|----------------------------|-----------------|
| A | REVISE ON PC ONLY | TITLE: 7 8 1 2 7 梱包仕様書 SALES PACKAGING SPEC. FOR 78127 | | | |
| | SEE SHEET 1 OF 3 | | | | |
| REV. | DESCRIPTION | THIS DOCUMENT CONTAINS INFORMATION THAT IS PROPRIETARY TO MOLEX ELECTRONIC TECHNOLOGIES, LLC AND SHOULD NOT BE USED WITHOUT WRITTEN PERMISSION | | | |
| DOCUMENT NUMBER 781279200 | | DOC. TYPE PS | DOC. PART 201 | CUSTOMER GENERAL | SHEET 3 OF 3 |
| EN-127(2015-12) | | | | | |