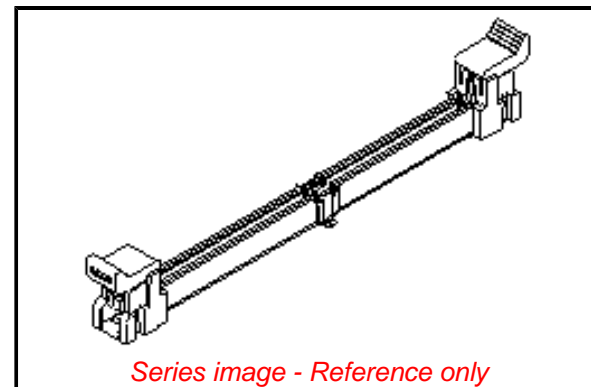


PLEASE CHECK WWW.MOLEX.COM FOR LATEST PART INFORMATION

Part Number: [0877822001](#)
Status: **Active**
Overview: MiniDIMM Sockets
Description: 0.60mm Pitch miniDIMM DDR2, Socket, Surface Mount, Vertical, 1.8V Voltage Key, 244 Circuits, 0.76µm Gold (Au) Plating, Off-White Latches, without Pick-and-Place Cap, Type A Tray, Lead-Free

Documents:

3D Model	Application Specification AS-87782-001-001 (PDF)
Drawing (PDF)	Packaging Specification PK-87782-004-001 (PDF)
Product Specification PS-87782-027-001 (PDF)	RoHS Certificate of Compliance (PDF)



Agency Certification

CSA	LR19980
UL	E29179

General

Product Family	Memory Module Sockets
Series	87782
Component Type	Socket
JEDEC Outline	MO-244
Overview	MiniDIMM Sockets
Product Name	MiniDIMM
UPC	822348683871

Physical

Circuits (Loaded)	244
Circuits (maximum)	244
Durability (mating cycles max)	25
Entry Angle	Vertical (Top Entry)
Flammability	94V-0
Housing Color	Black
Keying to Mating Part	Yes
Latch Color	Natural (Off-White)
Material - Metal	Copper Alloy
Material - Plating Mating	Gold
Material - Plating Termination	Tin
Material - Resin	High Temperature Thermoplastic
Net Weight	5.945/g
PCB Locator	Yes
PCB Retention	Yes
Packaging Type	Tray
Pitch - Mating Interface	0.60mm
Pitch - Termination Interface	0.60mm
Plating min - Mating	0.762µm
Plating min - Termination	2.540µm
Temperature Range - Operating	-55° to +85°C
Termination Interface: Style	Surface Mount

Electrical

Current - Maximum per Contact	1.0A
Voltage - Maximum	30V (RMS)
Voltage Key	1.8V

Solder Process Data

Duration at Max. Process Temperature (seconds)	005
Lead-free Process Capability	SMC&WAVE
Max. Cycles at Max. Process Temperature	002

EU ELV

Not Relevant

EU RoHS

Compliant

REACH SVHC

Not Contained Per -
D(2021)10043-DC (17
Jan 2022)

Halogen-Free

Status

Not Low-Halogen

For more information, please visit [Contact US](#)

China ROHS	Green Image
ELV	Not Relevant
RoHS Phthalates	Not Contained

Search Parts in this Series

[87782 Series](#)

Mates With

JEDEC MO-244 Modules

Process Temperature max. C

260

Material Info

Reference - Drawing Numbers

Application Specification	AS-87782-001-001
Electrical Model Document	EE-87782-001-001, EE-87782-002-001, EE-87782-003-001, EE-87782-007-001
Packaging Specification	PK-87782-004-001
Product Specification	PS-87782-027-001
S-Parameter Model	SP-87782-001-001, SP-87782-007-001
Sales Drawing	SD-87782-001-001

This document was generated on 04/18/2022

PLEASE CHECK WWW.MOLEX.COM FOR LATEST PART INFORMATION