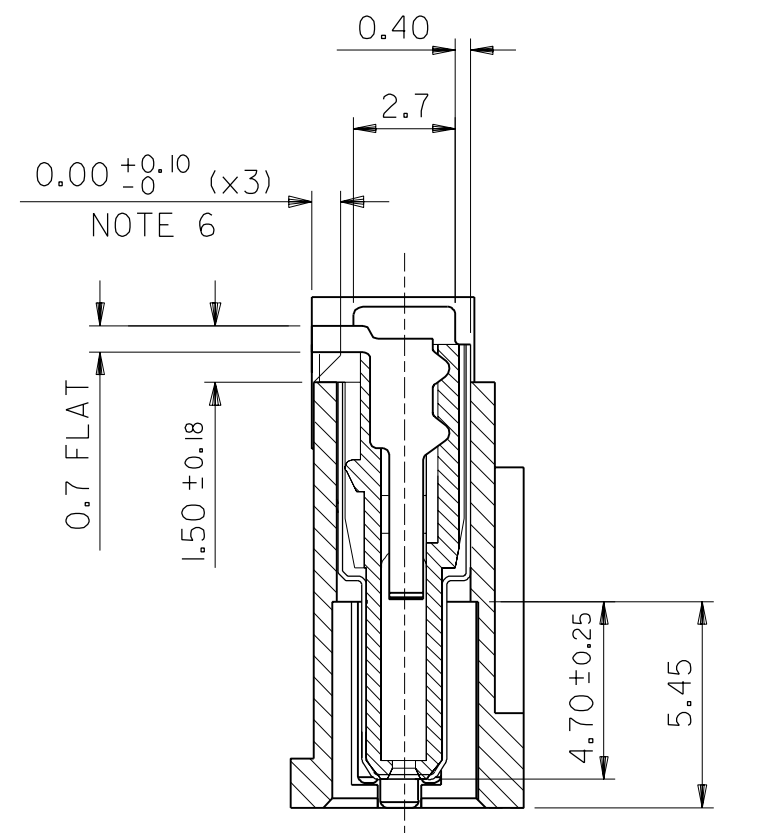
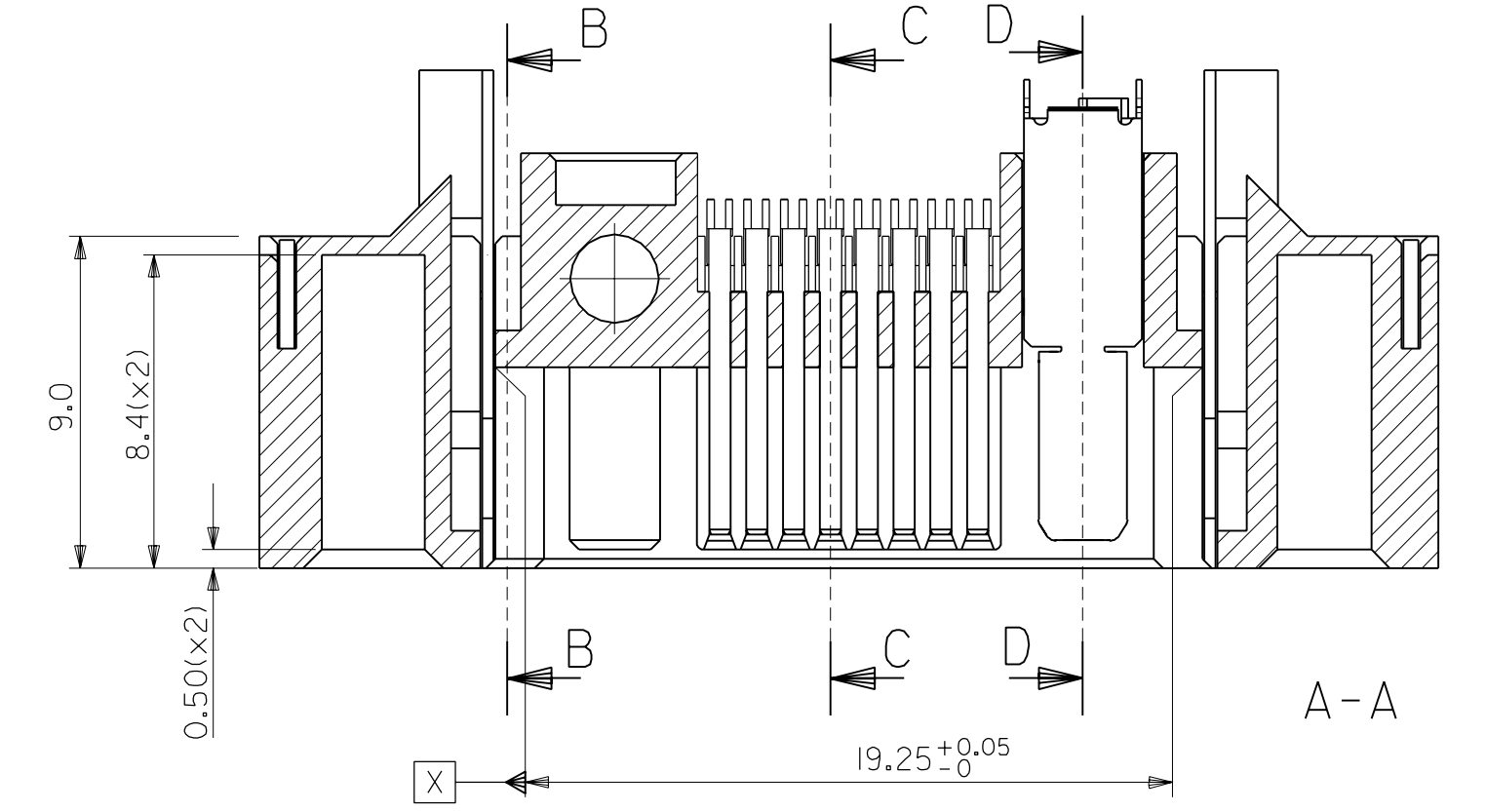


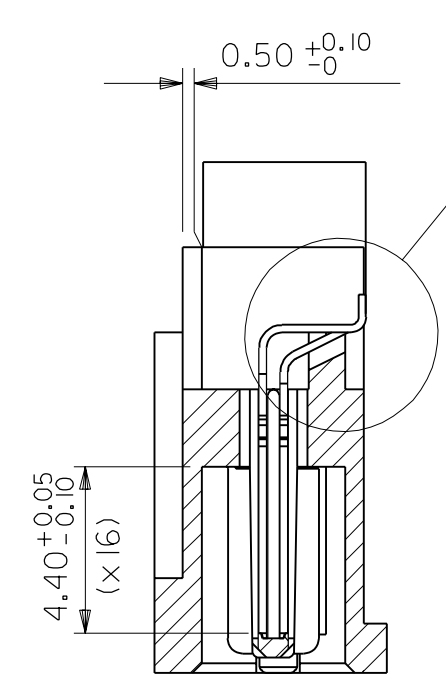
TERMINAL COPLANARITY
SCALE 10 : 1



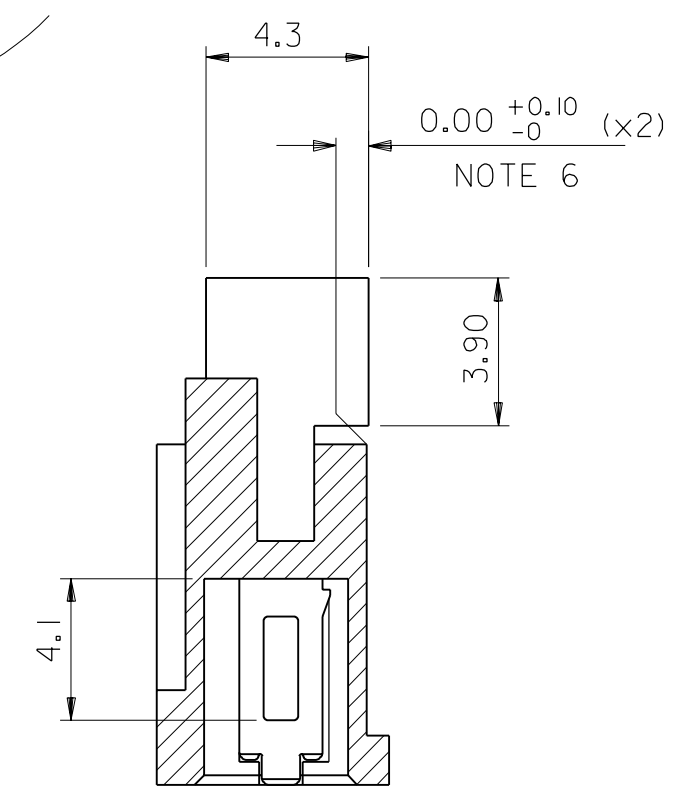
D-D



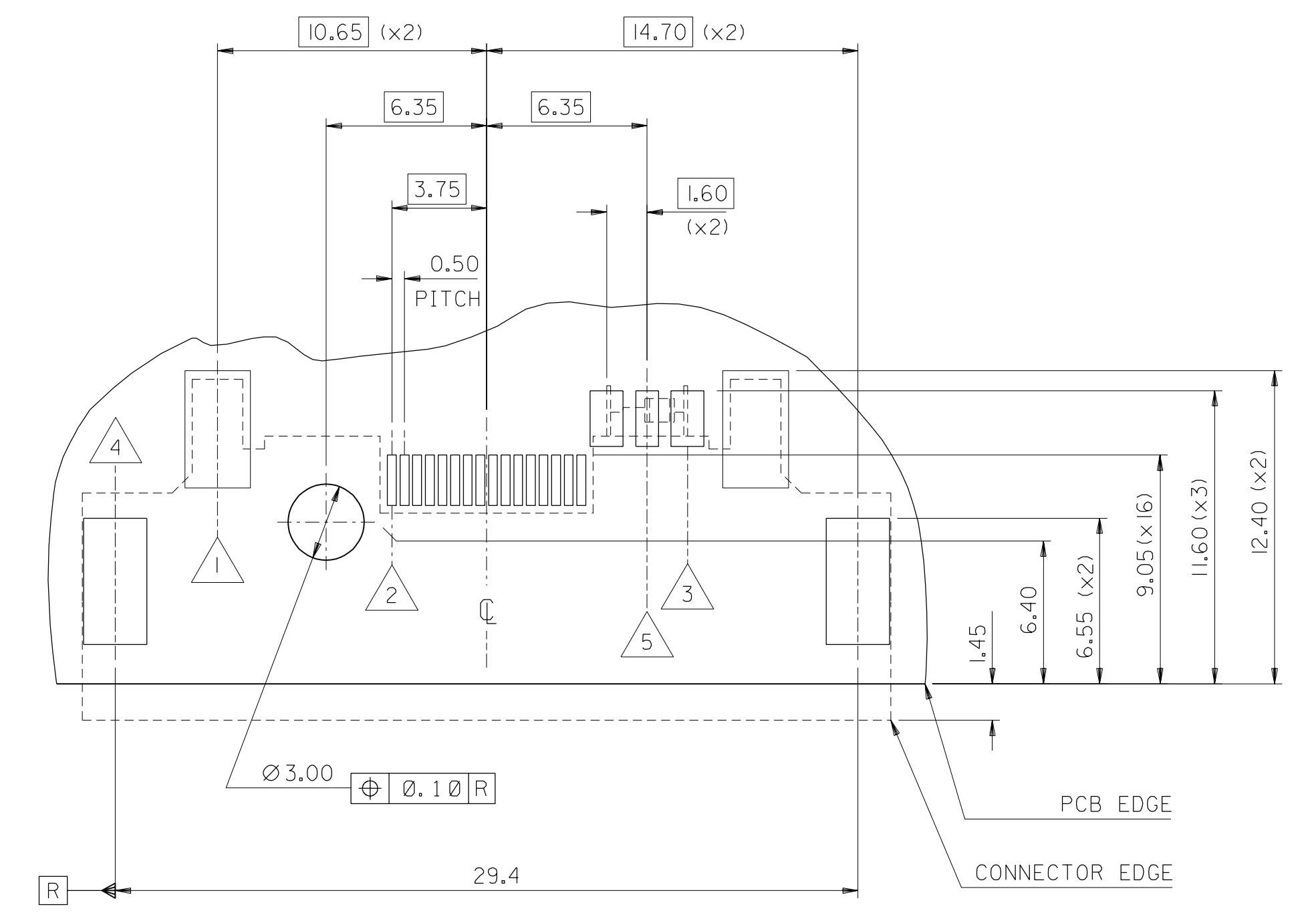
A-A



C-C

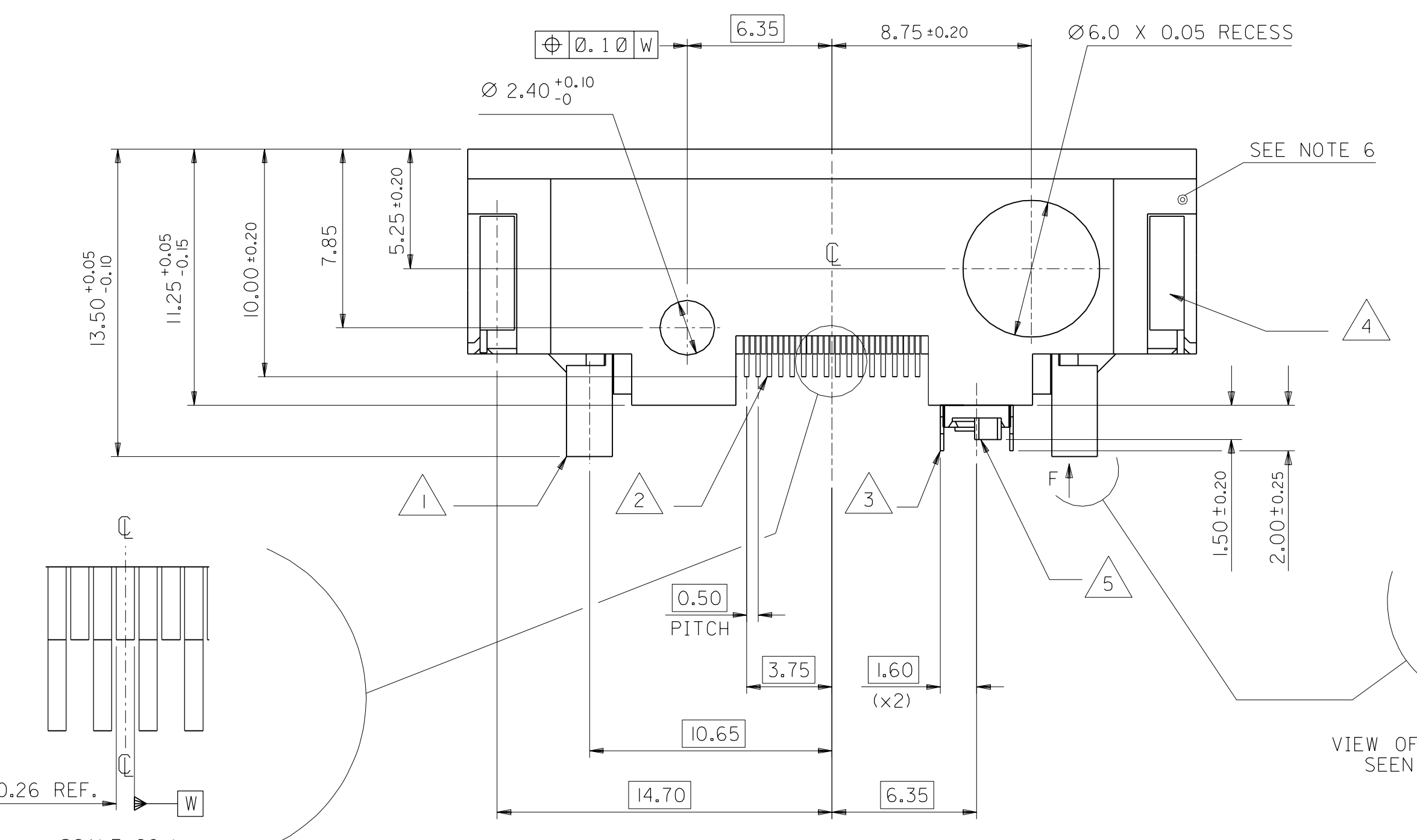
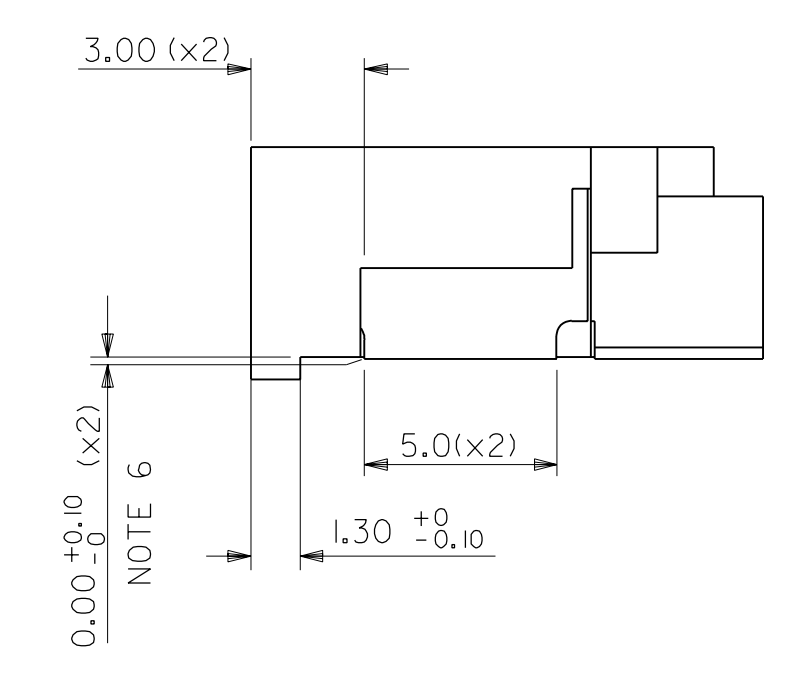
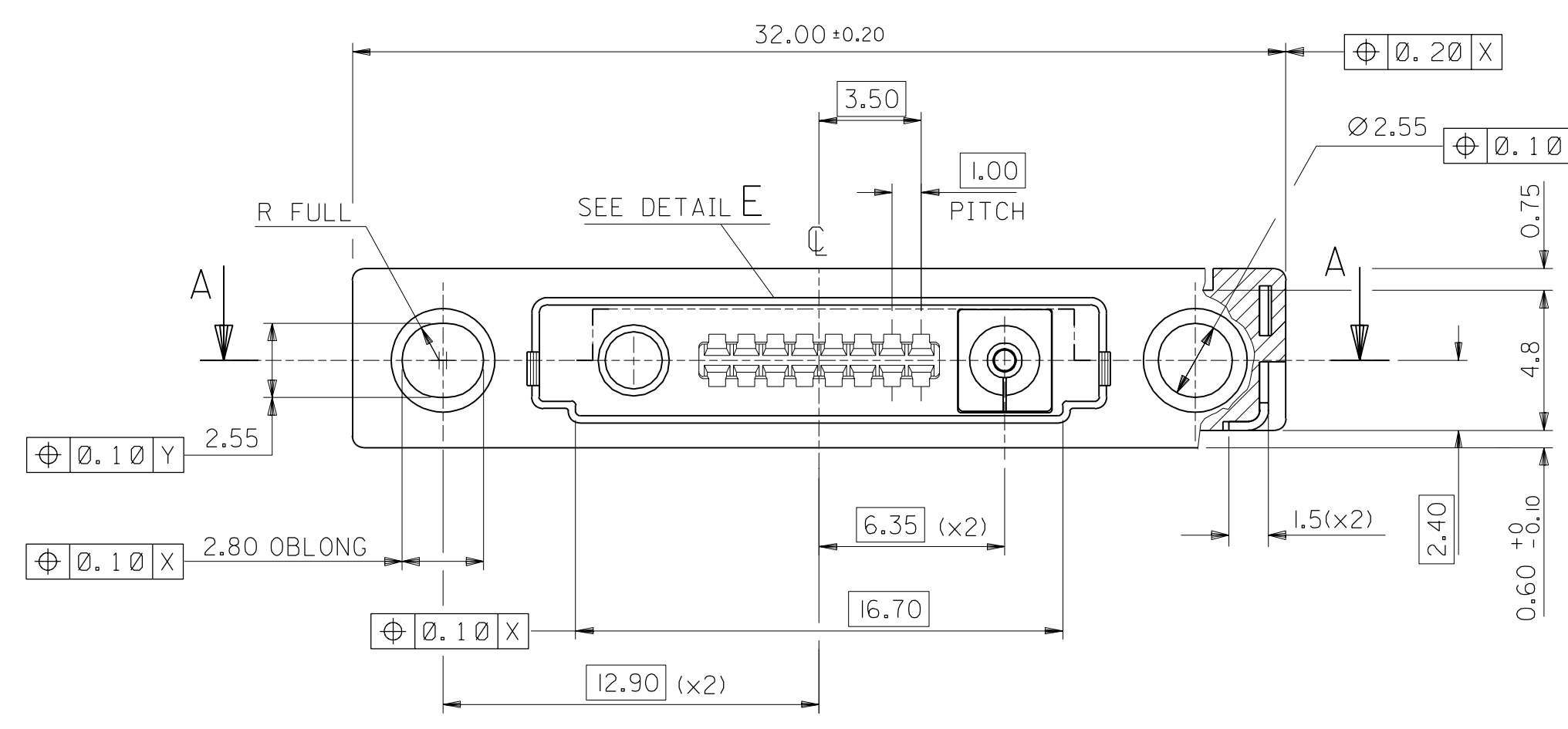


B-B

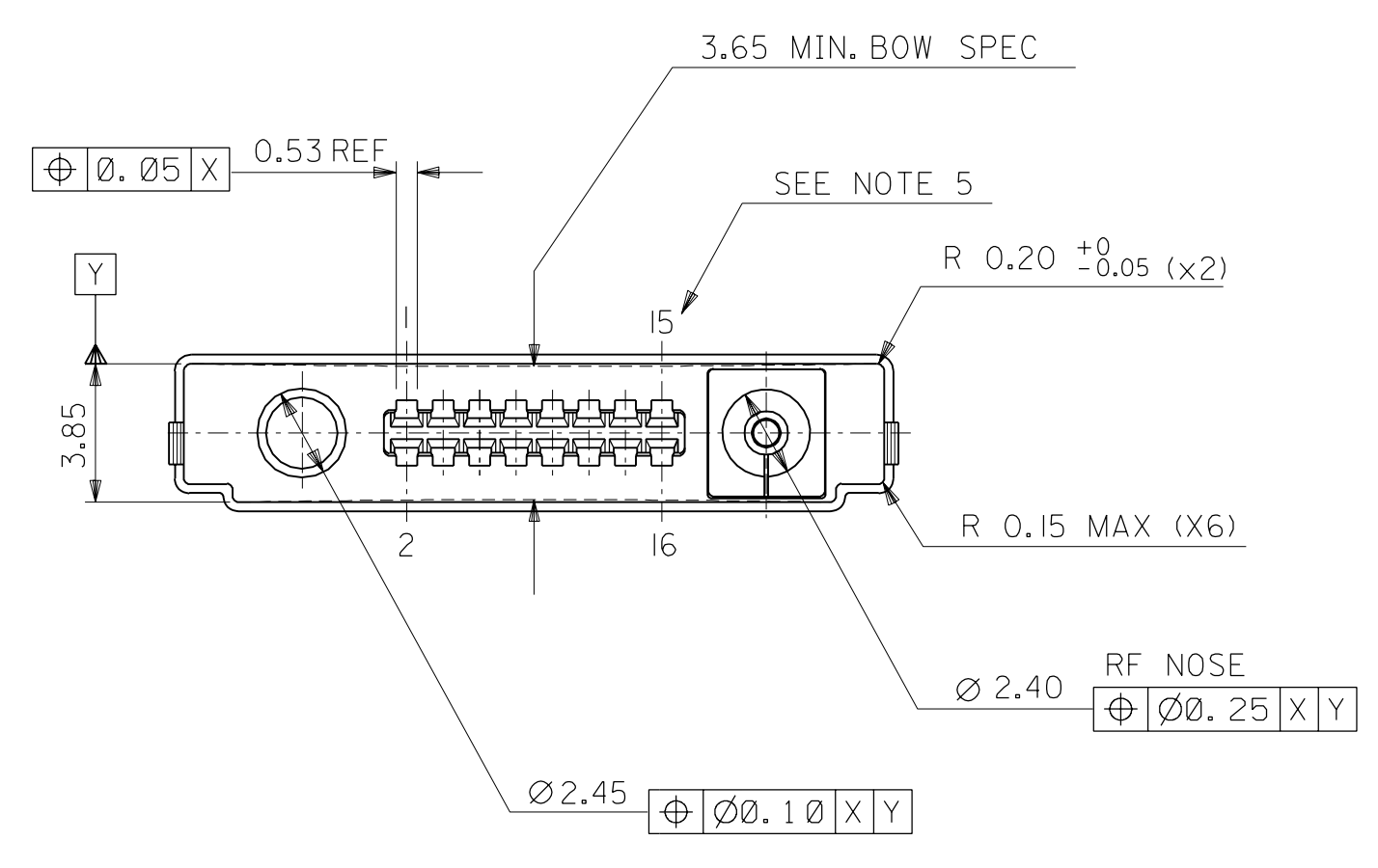


RECOMMENDED PCB LAYOUT.

COMPONENT	PITCH	RECOMMENDED PCB PAD DIMENSION	QTY
LOCKING LATCHES 1	Ø 0.30 W	2.60 x 4.65	Ø 0.10 R (x2)
SIGNAL CONTACTS 2	Ø 0.10 W	0.35 ± 0.05 x 2.0	Ø 0.10 R (x16)
OUTER CO-AX CONDUCTOR 3	Ø 0.30 W	1.30 x 2.2	Ø 0.10 R (x2)
SMT RETENTION PADS 4	Ø 0.30 W	2.50 x 5.0	Ø 0.10 R (x2)
CENTRE CO-AX CONDUCTOR 5	Ø 0.30 W	0.90 x 2.2	Ø 0.10 R (x1)



VIEW OF SMT LOCKING LATCH
SEEN FROM DIRECTION F



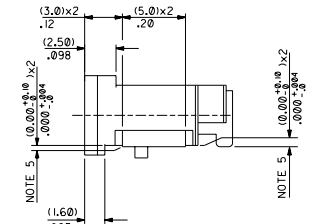
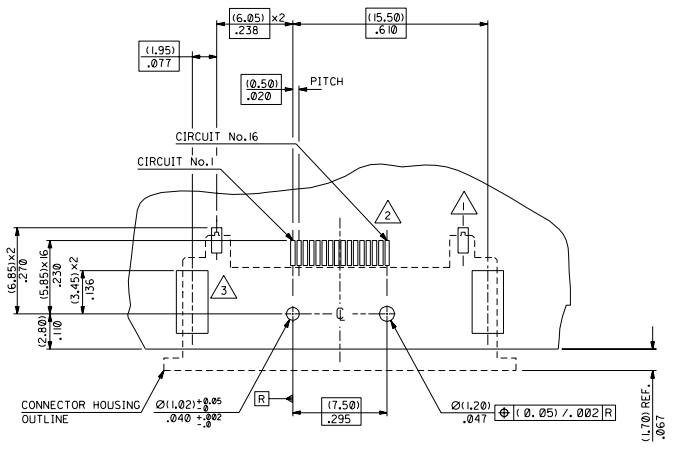
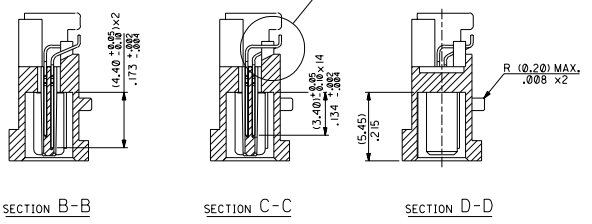
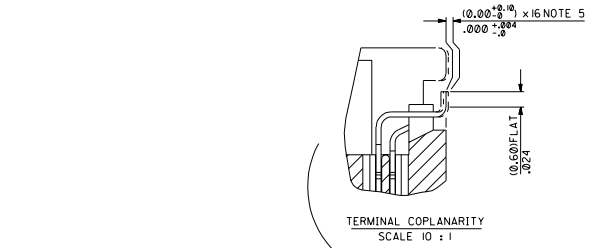
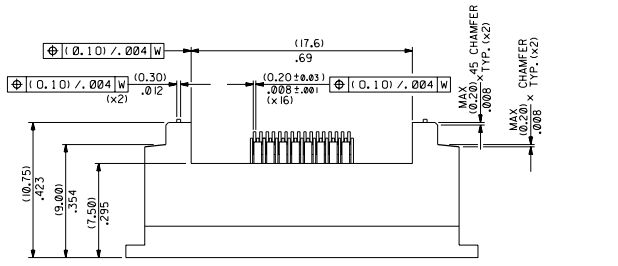
DETAIL E

NOTES:

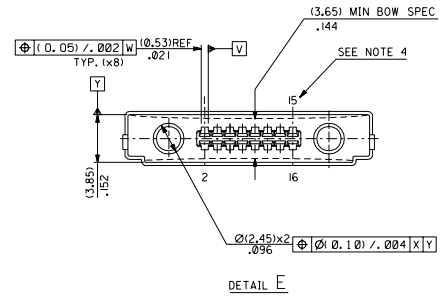
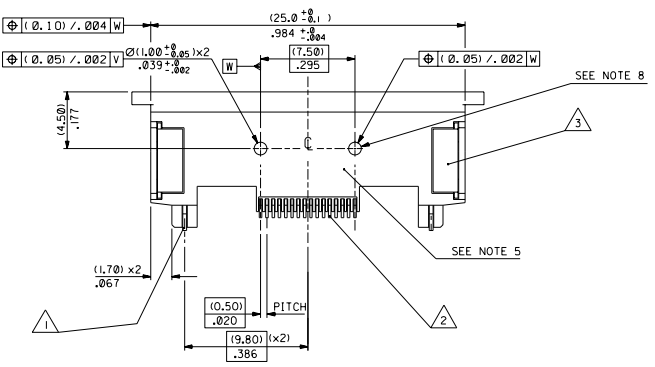
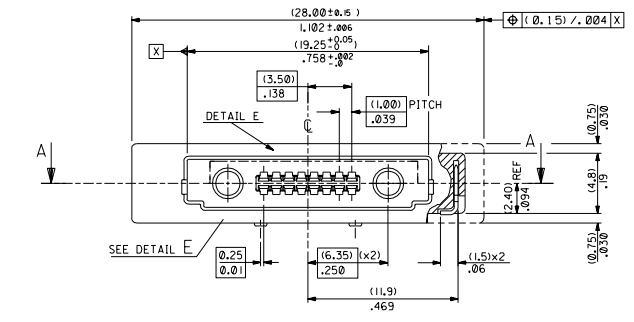
- MATERIALS:
HOUSING: NYLON 46 50% GLASS FILLED COLOUR BLACK
SMT RETENTION PADS : PHOSPHOR BRONZE 0.30 REF. THICK.
PLATING: 3-5um TIN OVER 1.27um NICKEL.
LOCKING LATCHES : PHOSPHOR BRONZE 0.30 REF. THICK.
PLATING: 3-5um TIN OVER 1.27um NICKEL.
SIGNAL CONTACTS: PHOSPHOR BRONZE 0.20 REF. THICK.
PLATING: 1.27um MIN. NICKEL UNDERCOAT OVERALL.
GOLD FLASH 0.1um MIN. OVER PALLADIUM NICKEL 1.0um MIN.
IN CONTACT AREA. 3.0um MIN. TIN ALL OVER ON TAIL SECTION.
- MATES WITH 90813 SERIES PLUG CONNECTOR.
90812 SERIES CRADLE CONNECTOR.
- SEE PRODUCT SPECIFICATION PS-99020-0045.
- RF CONNECTOR PART NUMBER 90854-0003.
- POWER CONTACTS TO BE ON CIRCUITS 1,2,15,16.
- SIGNAL TERMINALS TO LIE WITHIN A COPLANARITY BAND OF 0.05 - 0.15 REF. BELOW HOUSING BASE.
ALL OTHER SMT TAILS TO LIE WITHIN A COPLANARITY BAND OF 0.0 - 0.1 REF. BELOW HOUSING BASE.
- PACKAGING: TAPE AND REEL. SEE DRAWING NO. SDA-90811-900.

LEAD FREE CONVERSION ECN: E2004-0792 DRN: PSHEHAN DATE: 04/02/20	THIRD ANGLE PROJECTION	REVISE ONLY ON CAD SYSTEM	SH. REV.
	DIMENSIONS SHOWN (METRIC) INCH UNLESS OTHERWISE SPECIFIED TOLERANCES: ANGULAR ± 2°	THIS DRAWING CONTAINS INFORMATION THAT IS PROPRIETARY TO MOLEX INC. & SHOULD NOT BE USED WITHOUT WRITTEN PERMISSION	
REVISIONS	DRWG BY MK	CHECKED BY MK	TITLE
3 PLACE ± .			MOBILE PHONE I/O CONNECTOR
2 PLACE ± . ± 0.05			
1 PLACE ± . ± 0.10			
DRAFT WHERE APPLICABLE MUST REMAIN WITHIN DIMENSIONS	APP'D BY	SCALE	SHEET NO. DATE
DESIGN DIMENSION (MM) IN		5:1	10F1 97/01/15
EQUIVALENT DIMENSION (SECONDARY) (MM) IN			
	MOLEX MOLEX EUROPE		
	PART NO. 90811-0005	DWG NO. SDA-90811-0005	SIZE D

PRE-RELEASE
REFERENCE
USE ONLY



COMPONENT	P.C.B PAD DIMENSION	QTY
LOCKING LATCHES	(0.80)/.031 x (2.0)/.079 Φ (0.10) / .004 R	(x2)
SIGNAL CONTACTS	(0.35 ^{+0.05})/.014 ^{+0.02} x (2.0)/.08 Φ (0.05) / .002 R	(x16)
SMT RETENTION PADS	(2.5)/.098 x (5.0)/.197 Φ (0.10) / .004 R	(x2)



- NOTES:**
- MATERIALS: NYLON 46 50% GLASS FILLED, COLOUR BLACK
SMT RETENTION PADS: PHOSPHOR BRONZE (0.30)/.012 REF. THICK.
PLATING: 3-5um/.118-.197um TIN.
OVER (1.2um)/.050um NICKEL.
LOCKING LATCHES: PHOSPHOR BRONZE (0.30)/.012 REF. THICK.
PLATING: 3-5um/.118-.197um TIN.
OVER (1.2um)/.050 NICKEL.
SIGNAL CONTACTS: PHOSPHOR BRONZE (0.20)/.008 REF. THICK.
PLATING: (1.2um)/.050um MIN. NICKEL UNDERCOAT OVERALL.
GOLD FLASH (0.1um)/.004um MIN.
OVER PALLADIUM NICKEL (1.0um)/.039um MIN. IN CONTACT AREA. (3.0um)/.118um MIN. TIN ON TAIL SECTION.
 - MATES WITH 90813 SERIES PLUG CONNECTOR.
 - SEE PRODUCT SPECIFICATION PS 99020-0033.
 - POWER CONTACTS TO BE ON CIRCUITS 6,14,15.
 - ALL SMT TAILS TO LIE WITHIN A COPLANARITY BAND OF (0.0)/.0 - (0.0)/.004 REF. FROM EACH OTHER AND BELOW HOUSING BASE
 - FIRST MAKE LAST BREAK CIRCUITS No. 2 & 16 TO BE COMMON.
 - COMPONENT PACKAGING TO BE PACKED IN EMBOSSED TAPE
SEE SDA-90811-0201
 - P.C.B LOCATION PEGS

REMOVE LEAD FROM PLATING EC. NO. F2084-8674 DRWG. DESIGN: 85/8/04 CHK: APPR:	DESCRIPTION: MAJOR CRITICAL	GENERAL TOLERANCES: (UNLESS SPECIFIED): mm INCH 4 PLACES ±0.1 ±.002 3 PLACES ±0.05 ±.004 2 PLACES ±0.10 ±. 1 PLACE ±0.10 ±.	SCALE: 5:1 DESIGN UNITS: mm INCH DRAWN BY & DATE: DAB 94/11/17 CHECKED BY & DATE: APPROVED BY & DATE:	DIMENSIONS: mm INCH SHT: REV: IOF 1
		CAD FILENAME:	TITLE: RECEPTACLE I/O CONNECTOR FOR MOBILE PHONE HANDSET	SHEET NO. 1 OF 1
		DRAFT WHERE APPLICABLE MUST REMAIN WITHIN DIMENSIONS	MATERIAL NO. 90811-9201 DRAWING NO. SDA-90811-9201	MOLEX INCORPORATED
		THIS DRAWING CONTAINS INFORMATION THAT IS PROPRIETARY TO MOLEX INCORPORATED AND SHOULD NOT BE USED WITHOUT WRITTEN PERMISSION.	SIZE D	SHEET NO. 1 OF 1