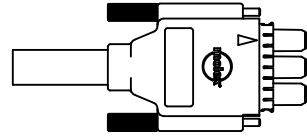
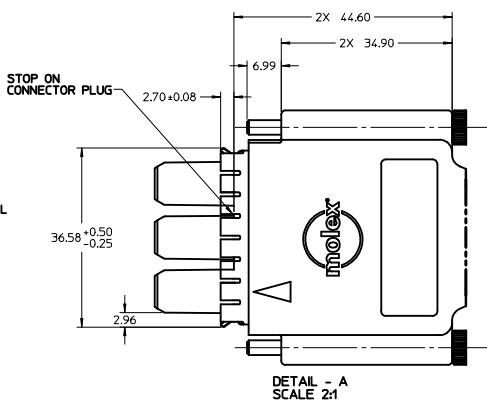
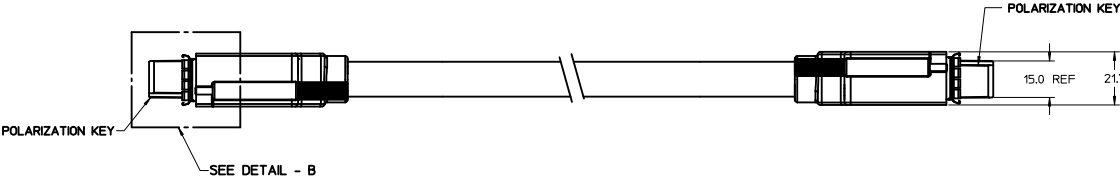
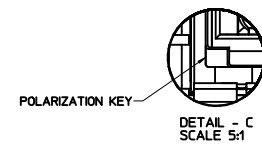
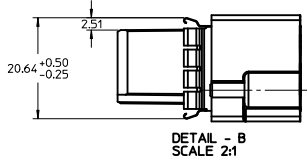


MATING VIEW OF P1
SCALE 2:1



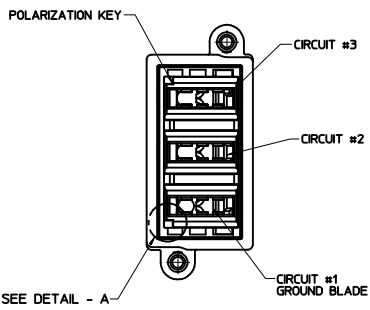
- NOTES**
- MATERIAL:**
 3 CKT HSG - PBT (UL 94V-0)
 TERMINAL - COPPER ALLOY
 PLATING: 30µm GOLD IN CONTACT AREA AND 100µm TIN OVER 50µm NICKEL OVERALL
 TPA - PBT (UL 94V-0)
 OVER-MOLD - PP RTP 154 UL94V-0
 EMI GASKET - 0.127 THK COPPER ALLOY
 PLATING: NICKEL PLATED (127-3.81 µm)
 JACK SCREW - STAINLESS 303
 PREMOLD - TEO RTP 2899 X 121388 UL94V-0
 COPPER TAPE
 BLOCKER - TEO RTP 2899 X 121388 UL94V-0
 PLUGGING LOCATION LABEL -
 WRAP LABEL -
 CABLE - UL RECOGNIZED AWM STYLE 2570
 (2) 8 AWG POWER TIN PLATED COPPER - HYTREL INSULATION
 (1) 10 AWG DRAIN - BARE COPPER
 SHIELD - 34 AWG TIN PLATED COPPER
 JACKET - XPBT BLACK

- CABLE MATES TO PLUG SERIES 46817
- THUMB SCREW AND OVER-MOLD REQUIREMENTS:
 THUMB SCREW MUST WITHSTAND A MINIMUM EXTRACTION FORCE OF 15kg (3.3 POUNDS)
- STRAIN RELIEF MUST CONTAIN JACKET AND WITHSTAND A MINIMUM PULL FORCE OF 22 LBS IN ANY DIRECTION.
- FINAL ASSEMBLY TO BE HI-POT TESTED
 - FROM POS #2 & #3
 - TO POS #1 (GND)
 - PRIMARIES TO GROUND/SHIELD
 - VOLTAGE: 1500 VRMS/2121 VDC
- PRODUCT SPECIFICATION: TBD
- THIS PRODUCT MEETS THE RESTRICTION OF HAZARDOUS SUBSTANCES IN ELECTRICAL AND ELECTRONIC EQUIPMENT RoHS DIRECTIVE (2002/95/EC)

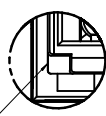


MOLEX P/N	DIM - 'A'	DESCRIPTION
11119-1000	1000	

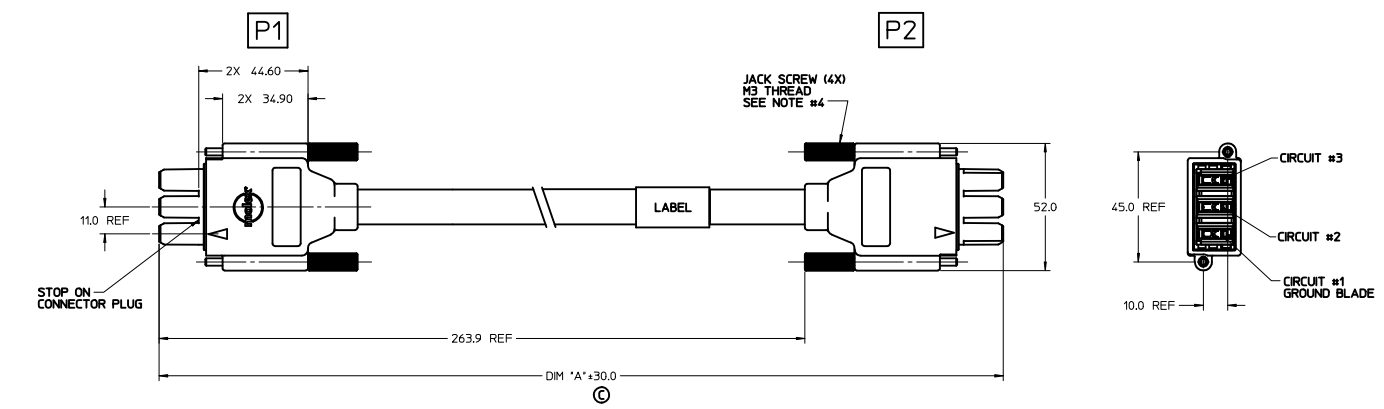
CHANGED DIM A EC NO: CPG2012-0602 DRAWN: PRATT 2011/02/20 CHKD: REEVES 2011/02/20 APPR: KMONROE 2012/02/07	QUALITY SYMBOLS ▽=0 ▽=0	GENERAL TOLERANCES (UNLESS SPECIFIED)		DIMENSION STYLE MM ONLY		SCALE 1:1	DESIGN UNITS METRIC	THIRD ANGLE PROJECTION
		DRAFT WHERE APPLICABLE MUST REMAIN WITHIN DIMENSIONS		DRAWN BY DATE JREEVES 2010/05/18		CHECKED BY DATE JREEVES 2010/05/18		APPROVED BY DATE KMONROE 2010/07/19
MATERIAL NO. SEE CHART			DOCUMENT NO. SD-11119-001			TITLE POWER CABLE ASSY 3 CKTS WITH EMI GASKET		
SIZE D			THIS DRAWING CONTAINS INFORMATION THAT IS PROPRIETARY TO MOLEX INCORPORATED AND SHOULD NOT BE USED WITHOUT WRITTEN PERMISSION			SHEET NO. 1 OF 1		



MATING VIEW OF P1
SCALE 2:1



DETAIL - A
SCALE 5:1



- NOTES**
- MATERIAL:**
 - 3 CKT HSG - PBT (UL 94V-0)
 - TERMINAL - COPPER ALLOY
 - PLATING: 30m" GOLD IN CONTACT AREA AND 100m" TIN OVER 50m" NICKEL OVERALL
 - TPA - PBT (UL 94V-0)
 - OVER-HOLD - PP RTP #54 UL94V-0
 - JACK SCREW - STAINLESS 303
 - PREMOLD - TEO RTP 2899 X 121388 UL94V-0
 - COPPER TAPE
 - BLOCKER - TEO RTP 2899 X 121388 UL94V-0
 - PLUGGING LOCATION LABEL -
 - WRAP LABEL -
 - CABLE - UL RECOGNIZED AWM STYLE 2570
 - (2) 8 AWG POWER TIN PLATED COPPER - HYTREL INSULATION
 - (1) 10 AWG DRAIN - BARE COPPER
 - SHIELD - 34 AWG TIN PLATED COPPER
 - JACKET - XPBT BLACK
 - CABLE MATES TO PLUG SERIES 46817
 - THUMB SCREW AND OVER-HOLD REQUIREMENTS:
THUMB SCREW MUST WITHSTAND A MINIMUM EXTRACTION FORCE OF 15kg (3.3 POUNDS)
 - STRAIN RELIEF MUST CONTAIN JACKET AND WITHSTAND A MINIMUM PULL FORCE OF 22 LBS IN ANY DIRECTION.
 - FINAL ASSEMBLY TO BE HI-POT TESTED
 - FROM POS #2 & #3
 - TO POS #1 (GND)
 - PRIMARIES TO GROUND
 - VOLTAGE: 1500 VRMS/2121 VDC
 - PRODUCT SPECIFICATION: TBD
 - THIS PRODUCT MEETS THE RESTRICTION OF HAZARDOUS SUBSTANCES IN ELECTRICAL AND ELECTRONIC EQUIPMENT RoHS DIRECTIVE (2002/95/EC)

©

MOLEX P/N	DIM - 'A'	DESCRIPTION
11119-2000	1000	

CHANGE DIM A IEC NO: CPG2012-0602 DRAWN: PRATT 2011/02/20 CHKD: REEVES 2011/02/20 APPR: KMONROE 2012/02/07	QUALITY SYMBOLS ▽=0 ▽=0	GENERAL TOLERANCES (UNLESS SPECIFIED) <table border="1"> <tr> <th></th> <th>mm</th> <th>INCH</th> </tr> <tr> <td>4 PLACES</td> <td>±.00</td> <td>±.00</td> </tr> <tr> <td>3 PLACES</td> <td>±.01</td> <td>±.00</td> </tr> <tr> <td>2 PLACES</td> <td>±0.18</td> <td>±.00</td> </tr> <tr> <td>1 PLACE</td> <td>±0.3</td> <td>±.00</td> </tr> </table>			mm	INCH	4 PLACES	±.00	±.00	3 PLACES	±.01	±.00	2 PLACES	±0.18	±.00	1 PLACE	±0.3	±.00	DIMENSION STYLE MM ONLY	SCALE 1:1	DESIGN UNITS METRIC	THIRD ANGLE PROJECTION
			mm	INCH																		
4 PLACES	±.00	±.00																				
3 PLACES	±.01	±.00																				
2 PLACES	±0.18	±.00																				
1 PLACE	±0.3	±.00																				
DRAFT WHERE APPLICABLE MUST REMAIN WITHIN DIMENSIONS		DRAWN BY JREEVES DATE 2010/05/21	APPROVED BY KMONROE DATE 2010/07/19	MOLEX INCORPORATED MATERIAL NO. SEE CHART DOCUMENT NO. SD-11119-002																		