

CABLE LENGTH TOLERANCES	
LENGTH	TOLERANCE +XX/-0
>1' (0.3M)	.75" (19mm)
1' - 3' (.3M - 0.9M)	1.75" (44.5mm)
3' - 6' (.9M - 1.8M)	2.19" (55.6mm)
6' - 12' (1.8M - 3.7M)	3.50" (8.89mm)
12' - 24' (3.7M - 7.3M)	6.50" (165.1mm)
24' - 48' (7.3M - 14.6M)	12.50" (317.5mm)
48' - 100' (14.6M - 30.5M)	24.50" (622.3mm)
OVER 100' (30.5M)	+2% OF FINISHED LENGTH

PART NO.	ENGINEERING NO.	FINISHED LENGTH
1200840018	WR5006A16C300	30 cm (11.8 IN.)
1200840084	WR4006A16C3008	30 cm (11.8 IN.)

- | | |
|----------|----------|
| 1- BROWN | 1- BROWN |
| 2 -WHITE | 2 -WHITE |
| 3-BLUE | 3-BLUE |
| 4-BLACK | 4-BLACK |
| | 5-GREY |

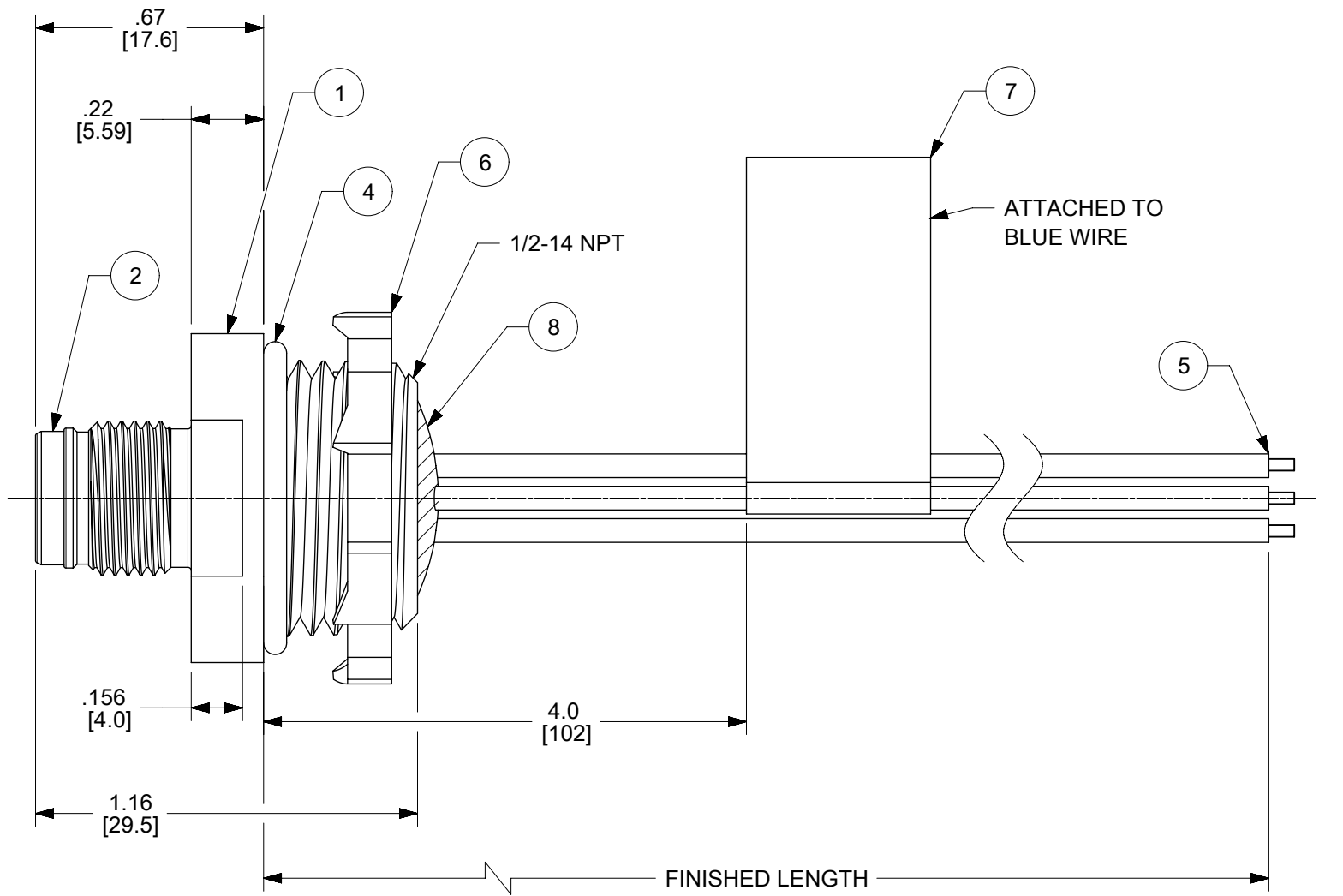
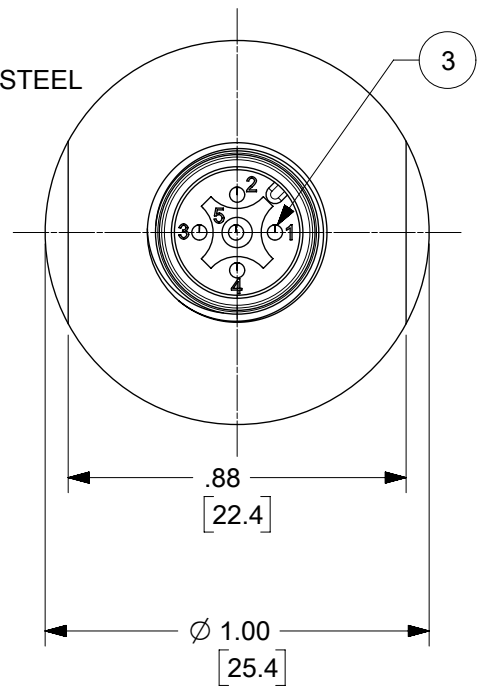
PART NUMBER MATRIX
WR5006A16M0108

BLANK = NICKEL PLATED BRASS
**8 = PASSIVATED 316 STAINLESS STEEL

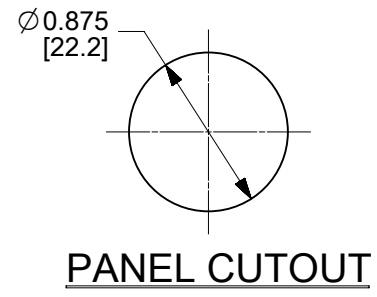
- 4 = 4 POLE
5 = 5 POLE
- M005 = .5 METER
M010 = 1 METER
M100 = 10 METERS
C300 = 30 CENTIMETERS

- NOTES:
- MATERIAL: AS NOTED
 - FINISH: AS NOTED
 - ELECTRICAL:
VOLTAGE: 250V
CURRENT: 4A
 - TEMP RATING: -25°TO +80°C
 - PROTECTION: IP67 (WHEN MATED)
 - COUPLING THREAD: M12 X 1
 - CSA RECOGNIZED PER FILE: LR6837
 - ALL DIMS ARE FOR REFERENCE UNLESS TOLERANCED OR NOTED OTHERWISE

MALE FACE VIEW



8	POTTING MATERIAL	EPOXY	BLACK
7	FLAG LABEL	VINYL	BLACK/YELLOW
6	LOCKNUT	STEEL	ZINC PLATED
5	WIRE, 18 AWG UL 1061	PVC INSULATION	SEE FACE VIEW
4	O-RING SEAL	BUNA-N	BLACK
3	CONTACT, PIN	COPPER ALLOY	GOLD PLATED
2	MALE INSERT	NYLON	BLACK
1	RECEPTACLE SHELL	SEE P/N MATRIX	SEE P/N MATRIX
ITEM	DESCRIPTION	MATERIAL	FINISH/COLOR



PANEL CUTOUT

SYMBOLS	THIS DRAWING CONTAINS INFORMATION THAT IS PROPRIETARY TO MOLEX ELECTRONIC TECHNOLOGIES, LLC AND SHOULD NOT BE USED WITHOUT WRITTEN PERMISSION		
	DIMENSION UNITS: HYBRID SCALE: 2:1 CURRENT REV DESC: UPDATED P/N CHART, MATRIX, AND NOTES GENERAL TOLERANCES (UNLESS SPECIFIED) ANGULAR TOL ± ° 4 PLACES ± 3 PLACES ± 2 PLACES ± 1 PLACE ± 0 PLACES ± DRAFT WHERE APPLICABLE MUST REMAIN WITHIN DIMENSIONS		
DOCUMENT NUMBER: 1200840018 MATERIAL NUMBER: SEE CHART CUSTOMER: GENERAL MARKET SHEET NUMBER: 1 OF 1		DOC TYPE: PSD DOC PART: 000 REVISION: B	