

RJ45 connector - CUC-IND-C1ZNI-S/R4QE8:30 - 1406351

Please be informed that the data shown in this PDF Document is generated from our Online Catalog. Please find the complete data in the user's documentation. Our General Terms of Use for Downloads are valid (<http://phoenixcontact.com/download>)




RJ45 connector, degree of protection: IP20, number of positions: 8, 10 Gbps, material: Zinc die-cast, connection method: IDC, connection cross section: AWG 26- 24, cable outlet: straight, High degree of resistance to vibration; 360° shielding; one-piece design; special tool-free assembly

Your advantages

- Value pack with 30 pcs.
- assembly without special tools
- One-Piece Design
- 360° shielding
- High shock and vibration resistance



Key Commercial Data

Packing unit	1 pc
GTIN	 4 046356 760973
GTIN	4046356760973

Technical data

Mechanical characteristics

Number of positions	8
Connection profile	RJ45
Insertion/withdrawal cycles	≥ 750
Connection method	IDC
Connection cross section AWG	26 ... 24 (solid) 26 ... 24 (flexible)
Max. cable diameter	5 mm ... 9 mm
External cable diameter	5 mm ... 9 mm
Cable outlet	straight
Wire diameter including insulation	≤ 1.6 mm
Degree of protection	IP20

RJ45 connector - CUC-IND-C1ZNI-S/R4QE8:30 - 1406351

Technical data

Mechanical characteristics

Type	RJ45, IP20
No. of cable outlets	1

Ambient conditions

Ambient temperature (operation)	-40 °C ... 70 °C
---------------------------------	------------------

Material data

Flammability rating according to UL 94	V0
Housing material	Zinc die-cast

Electrical characteristics

Number of positions	8
Transmission speed	10 Gbps
	10 Gbps
Frequency range	to 500 MHz

Standards and Regulations

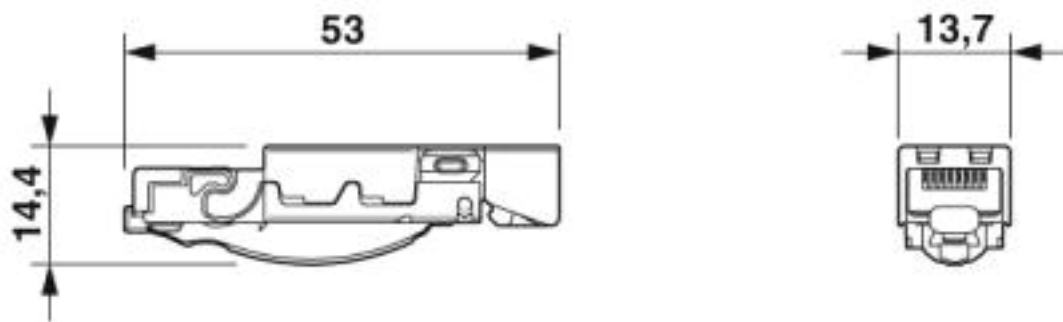
Flammability rating according to UL 94	V0
--	----

Environmental Product Compliance

China RoHS	Environmentally Friendly Use Period = 50
	For details about hazardous substances go to tab "Downloads", Category "Manufacturer's declaration"

Drawings

Dimensional drawing



Phoenix Contact 2019 © - all rights reserved
<http://www.phoenixcontact.com>

PHOENIX CONTACT GmbH & Co. KG
Flachmarktstr. 8
32825 Blomberg
Germany
Tel. +49 5235 300
Fax +49 5235 3 41200
<http://www.phoenixcontact.com>