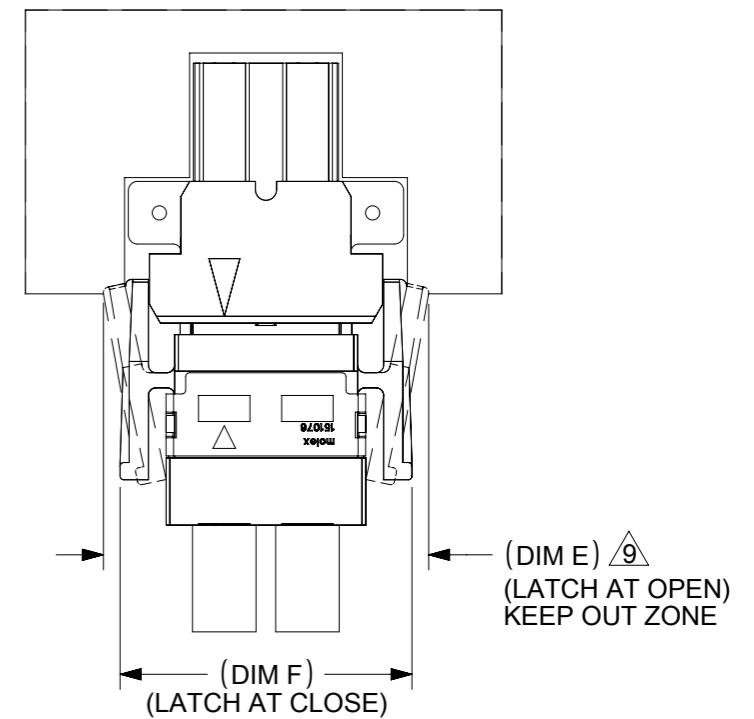
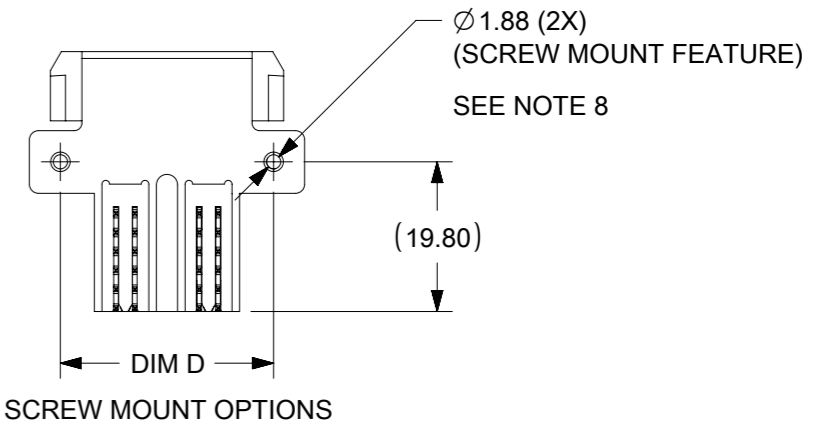
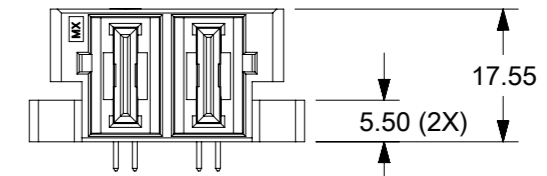


- NOTE:
- MATERIAL:  
HOUSING: LCP, UL 94V-0, COLOR: BLACK  
TERMINALS: COPPER ALLOY
  - PLATING:  
30µ IN GOLD ON CONTACT AREA  
100µ IN TIN IN THE PC TAIL AREA OVER  
50µ IN NICKEL OVERALL UNDERPLATE
  - PRODUCT SPECIFICATION: PS-151053-0001
  - PARTS TO BE PACKED PER PACKAGING SPEC: PK-151035-0001
  - MATING WITH CRIMP: 46819, RECEPTACLE HOUSING SERIES 151034
  - PCB HOLES TO BE PLATED THRU HOLES.
  - CONTACTS ARE LUBRICATED.
  - RECOMMENED SCREW: 2-32 TYPE AB X 0.300" (FOR 1.60MM PCB)  
2-32 TYPE AB X 0.375" (FOR 2.36 & 3.18MM PCB)  
SCREWS ARE SOLD SEPERATELY.
  - KEEP-OUT ZONE DOES NOT TAKE FINGER SPACING INTO ACCOUNT.  
PLEASE MAKE SURE TO LEAVE APPROPRIATE CLEARANCE BETWEEN  
LATCHES AND ADJACENT PRODUCT FOR PROPER LATCH FUNCTION.

|   |  |                                |  |  |  |           |  |                   |  |
|---|--|--------------------------------|--|--|--|-----------|--|-------------------|--|
| THIS DRAWING CONTAINS INFORMATION THAT IS PROPRIETARY TO MOLEX ELECTRONIC TECHNOLOGIES, LLC AND SHOULD NOT BE USED WITHOUT WRITTEN PERMISSION |  |                                |  |  |  |           |  |                   |  |
| DIMENSION UNITS   |  | SCALE                          |  | CURRENT REV DESC: ADDED PRESS-FIT VIEWS  |  |           |  |                   |  |
| MM  |  | 1:1                            |  | <p>GUARDIAN II<br/>RA PLUG ASSEMBLY 2 - 6 CKTS</p> <p>PRODUCT CUSTOMER DRAWING</p> |  |           |  |                   |  |
| GENERAL TOLERANCES (UNLESS SPECIFIED)   |  |                                |  |  |  |           |  |                   |  |
| ANGULAR TOL ± 3.0 °   |  |                                |  |  |  |           |  |                   |  |
| 4 PLACES ±  |  | EC NO: 697890                  |  |  |  |           |  |                   |  |
| 3 PLACES ±  |  | DRWN: HARSHG 2022/02/28        |  |  |  |           |  |                   |  |
| 2 PLACES ± 0.25   |  | CHK'D: GJEEVANSURES 2022/03/04 |  |  |  |           |  |                   |  |
| 1 PLACE ± 0.25  |  | APPR: HTHYAGARAJ 2022/03/14    |  | DOCUMENT NUMBER  |  | DOC TYPE  |  | DOC PART REVISION |  |
| 0 PLACES ±  |  | INITIAL REVISION:              |  | SD-151035-0001   |  | PSD       |  | 001 B1            |  |
| DRAFT WHERE APPLICABLE MUST REMAIN WITHIN DIMENSIONS  |  | THIRD ANGLE PROJECTION         |  | DRAWING  |  | SERIES    |  | MATERIAL NUMBER   |  |
|   |  | A3-SIZE                        |  | 151035   |  | SEE TABLE |  | GENERAL MARKET    |  |
|   |  |                                |  |  |  |           |  | SHEET NUMBER      |  |
|   |  |                                |  |  |  |           |  | 1 OF 2            |  |

| CKT SIZE   | PART NO.   | DIM A<br>PC TAIL | PC BOARD<br>THICKNESS | PC TAIL<br>TYPE | GUIDE<br>OPTION | DIM B | DIM C | DIM D | DIM E | DIM F |
|------------|------------|------------------|-----------------------|-----------------|-----------------|-------|-------|-------|-------|-------|
| 2 CKT      | 1510350002 | 3.86±0.30        | 2.36                  | SOLDER TAIL     | PEG             | 36.40 | 30.84 | 28.20 | 43.20 | 38.60 |
|            | 1510350012 | 4.69±0.30        | 3.18                  |                 |                 |       |       |       |       |       |
|            | 1510350022 | 3.28±0.30        | 1.60                  | COMPLIANT PIN   |                 |       |       |       |       |       |
|            | 1510351002 | 3.86±0.30        | 2.36                  | SOLDER TAIL     | SCREW<br>MOUNT  |       |       |       |       |       |
|            | 1510351012 | 4.69±0.30        | 3.18                  |                 |                 |       |       |       |       |       |
| 1510351022 | 3.28±0.30  | 1.60             | COMPLIANT PIN         |                 |                 |       |       |       |       |       |
| 3 CKT      | 1510350003 | 3.86±0.30        | 2.36                  | SOLDER TAIL     | PEG             | 47.40 | 41.84 | 39.20 | 54.20 | 49.60 |
|            | 1510350013 | 4.69±0.30        | 3.18                  |                 |                 |       |       |       |       |       |
|            | 1510350023 | 3.28±0.30        | 1.60                  | COMPLIANT PIN   |                 |       |       |       |       |       |
|            | 1510351003 | 3.86±0.30        | 2.36                  | SOLDER TAIL     | SCREW<br>MOUNT  |       |       |       |       |       |
|            | 1510351013 | 4.69±0.30        | 3.18                  |                 |                 |       |       |       |       |       |
| 1510351023 | 3.28±0.30  | 1.60             | COMPLIANT PIN         |                 |                 |       |       |       |       |       |
| 4 CKT      | 1510350004 | 3.86±0.30        | 2.36                  | SOLDER TAIL     | PEG             | 58.40 | 52.84 | 50.20 | 65.20 | 60.60 |
|            | 1510350014 | 4.69±0.30        | 3.18                  |                 |                 |       |       |       |       |       |
|            | 1510350024 | 3.28±0.30        | 1.60                  | COMPLIANT PIN   |                 |       |       |       |       |       |
|            | 1510351004 | 3.86±0.30        | 2.36                  | SOLDER TAIL     | SCREW<br>MOUNT  |       |       |       |       |       |
|            | 1510351014 | 4.69±0.30        | 3.18                  |                 |                 |       |       |       |       |       |
| 1510351024 | 3.28±0.30  | 1.60             | COMPLIANT PIN         |                 |                 |       |       |       |       |       |
| 5 CKT      | 1510350005 | 3.86±0.30        | 2.36                  | SOLDER TAIL     | PEG             | 69.40 | 63.84 | 61.20 | 76.20 | 71.60 |
|            | 1510350015 | 4.69±0.30        | 3.18                  |                 |                 |       |       |       |       |       |
|            | 1510350025 | 3.28±0.30        | 1.60                  | COMPLIANT PIN   |                 |       |       |       |       |       |
|            | 1510351005 | 3.86±0.30        | 2.36                  | SOLDER TAIL     | SCREW<br>MOUNT  |       |       |       |       |       |
|            | 1510351015 | 4.69±0.30        | 3.18                  |                 |                 |       |       |       |       |       |
| 1510351025 | 3.28±0.30  | 1.60             | COMPLIANT PIN         |                 |                 |       |       |       |       |       |
| 6 CKT      | 1510350006 | 3.86±0.30        | 2.36                  | SOLDER TAIL     | PEG             | 80.40 | 74.84 | 72.20 | 87.20 | 82.60 |
|            | 1510350016 | 4.69±0.30        | 3.18                  |                 |                 |       |       |       |       |       |
|            | 1510350026 | 3.28±0.30        | 1.60                  | COMPLIANT PIN   |                 |       |       |       |       |       |
|            | 1510351006 | 3.86±0.30        | 2.36                  | SOLDER TAIL     | SCREW<br>MOUNT  |       |       |       |       |       |
|            | 1510351016 | 4.69±0.30        | 3.18                  |                 |                 |       |       |       |       |       |
| 1510351026 | 3.28±0.30  | 1.60             | COMPLIANT PIN         |                 |                 |       |       |       |       |       |



CONNECTOR ASSEMBLY WITH RECEPTACLE CABLE.

|   |         |   |         |          |           |              |                |  |        |
|---|---------|---|---------|----------|-----------|--------------|----------------|--|--------|
| THIS DRAWING CONTAINS INFORMATION THAT IS PROPRIETARY TO MOLEX ELECTRONIC TECHNOLOGIES, LLC AND SHOULD NOT BE USED WITHOUT WRITTEN PERMISSION |         |   |         |          |           |              |                |  |        |
| DIMENSION UNITS   | SCALE   | CURRENT REV DESC: ADDED PRESS-FIT VIEWS   |         |          |           |              |                |  |        |
| MM  | 1:1     |   |         |          |           |              |                |  |        |
| GENERAL TOLERANCES (UNLESS SPECIFIED)   |         |   |         |          |           |              |                |  |        |
| ANGULAR TOL   | ± 3.0 ° | EC NO: 697890<br>DRWN: HARSHG 2022/02/28<br>CHK'D: GJEEVANSURES 2022/03/04<br>APPR: HTHYAGARAJ 2022/03/14 |         |          |           |              |                |  |        |
| 4 PLACES  | ±       | INITIAL REVISION:<br>DRWN: CGOH 2014/04/23<br>APPR: KHLIM 2014/10/22                                      |         |          |           |              |                |  |        |
| 3 PLACES  | ±       |   |         |          |           |              |                |  |        |
| 2 PLACES  | ± 0.25  | DOCUMENT NUMBER   |         | DOC TYPE | DOC PART  | REVISION     |                |  |        |
| 1 PLACE   | ± 0.25  | SD-151035-0001  |         | PSD      | 001       | B1           |                |  |        |
| 0 PLACES  | ±       | MATERIAL NUMBER   |         | CUSTOMER |           | SHEET NUMBER |                |  |        |
| DRAFT WHERE APPLICABLE MUST REMAIN WITHIN DIMENSIONS  |         | THIRD ANGLE PROJECTION  | DRAWING | SERIES   | SEE TABLE |              | GENERAL MARKET |  | 2 OF 2 |
|   |         |   | A3-SIZE | 151035   |           |              |                |  |        |