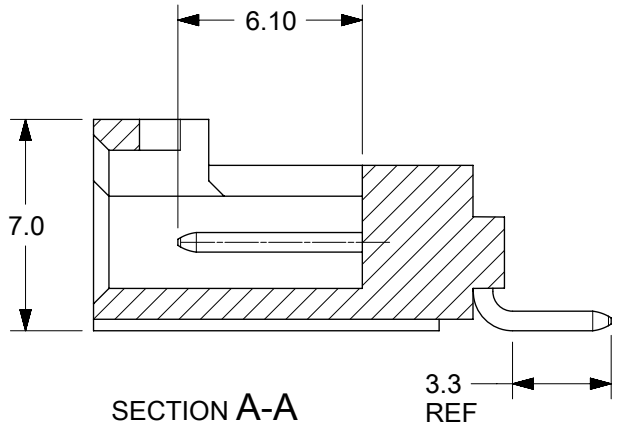
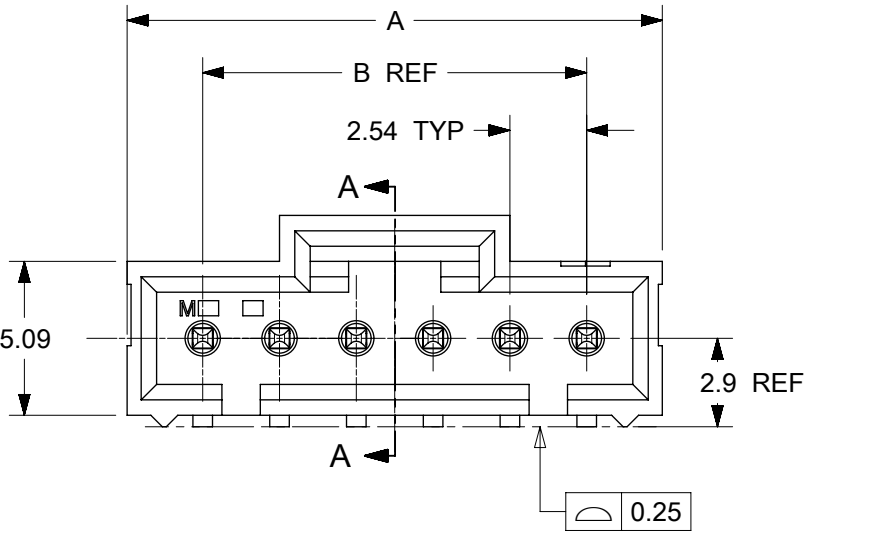
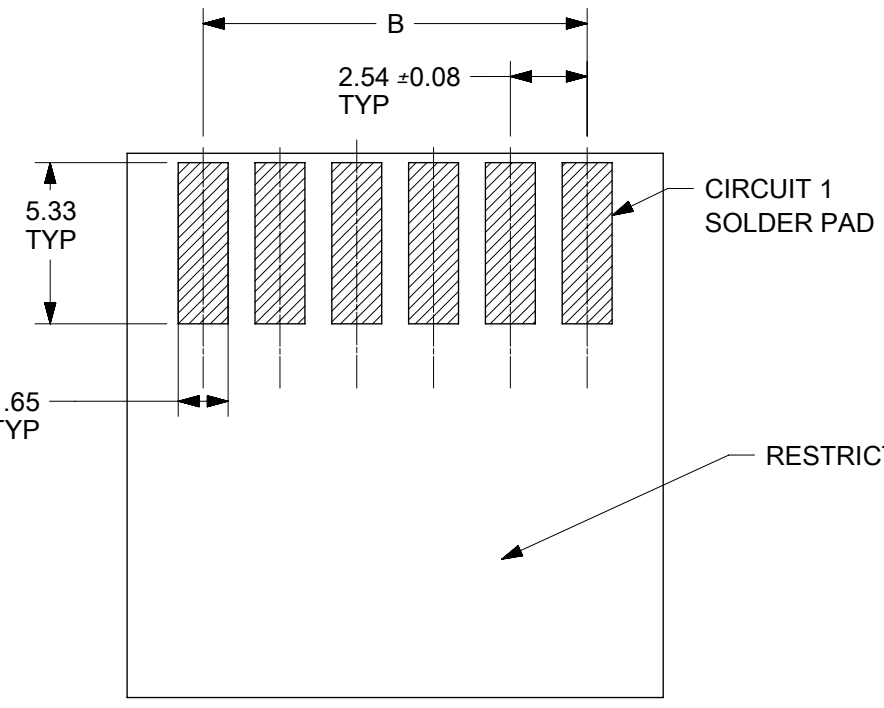


2 CIRCUIT PART

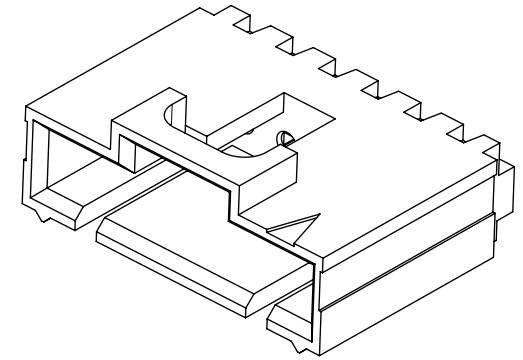


SECTION A-A



PCB LAYOUT: COMPONENT SIDE  
RECOMMENDED PCB THICKNESS: NA

- NOTES:
- HOUSING MATERIAL: LCP, UL94V-0, BLACK  
TERMINAL MATERIAL: BRASS
  - FINISH:  
MATTE TIN = OVERALL MATTE TIN: 2.54 MICROMETERS MIN OVER NICKEL.  
0.38 GOLD = SELECT GOLD IN CONTACT AREA: 0.38 MICROMETER MIN  
SELECT MATTE TIN IN PC TAIL: 2.0 MICROMETERS MIN  
WITH OVERALL NICKEL UNDERPLATE  
0.75 GOLD = SELECT GOLD IN CONTACT AREA: 0.75 MICROMETER MIN  
SELECT MATTE TIN IN PC TAIL: 2.0 MICROMETERS MIN  
WITH OVERALL NICKEL UNDERPLATE
  - PRODUCT SPECIFICATION: 1719710000-PS AND PS-70400
  - PACKAGING SPECIFICATION: TUBES PER 1719760000-PK
  - HEADER MATES WITH: OPTION "G" 70400 AND 70430 SERIES  
SL CONNECTORS
  - COSMETIC SPECIFICATION: PS-45499-002 CLASS B
  - SOLDERABILITY PER SMES-152 LEAD FREE ALLOY



6 CKT PART SHOWN SEE  
SEE 2 FOR OTHER OPTIONS

CKTS	A	B
2	7.54	2.54
3	10.08	5.08
4	12.62	7.62
5	15.16	10.16
6	17.70	12.70
7	20.24	15.24
8	22.78	17.78
9	25.32	20.32
10	27.86	22.86
11	30.40	25.40
12	32.94	27.94
13	35.48	30.48
14	38.02	33.02
15	40.56	35.56
16	43.10	38.10
17	45.64	40.64
18	48.18	43.18
19	50.72	45.72
20	53.26	48.26
21	55.80	50.80
22	58.34	53.34
23	60.88	55.88
24	63.42	58.42
25	65.96	60.96

SYMBOLS		THIS DRAWING CONTAINS INFORMATION THAT IS PROPRIETARY TO MOLEX ELECTRONIC TECHNOLOGIES, LLC AND SHOULD NOT BE USED WITHOUT WRITTEN PERMISSION			
▽ = 0	DIMENSION UNITS	SCALE	CURRENT REV DESC: REV PER QUAL		
▽ = 0	mm	5:1			
▽ = 0	GENERAL TOLERANCES (UNLESS SPECIFIED)		EC NO: 174682		
▽ = 0	ANGULAR TOL ± 0.5°		DRWN: KSAMIEC 2018/04/04		
▽ = 0	4 PLACES ±		CHK'D: MKIPPER 2018/04/09		
▽ = 0	3 PLACES ±		APPR: FSMITH 2018/04/11		
▽ = 0	2 PLACES ± 0.25		INITIAL REVISION:		
▽ = 0	1 PLACE ± 0.38		DRWN: KSAMIEC 2016/09/01		
▽ = 0	0 PLACES ± 0.0		APPR: FSMITH 2016/10/20		
▽ = 0	DRAFT WHERE APPLICABLE MUST REMAIN WITHIN DIMENSIONS		THIRD ANGLE PROJECTION	DRAWING	SERIES
▽ = 0			⊕	B-SIZE	171976
			MATERIAL NUMBER	CUSTOMER	SHEET NUMBER
			1719760000-SD	GENERAL MARKET	1 OF 2
			DOCUMENT NUMBER	DOC TYPE	DOC PART
			1719760000-SD	PSD	000
			REVISION		
			B1		

	10	9	8	7	6	5	4	3	2	1
		MATTE TIN	0.38 GOLD	0.75 GOLD						
F	CIRCUIT SIZE	MATERIAL NUMBER	MATERIAL NUMBER	MATERIAL NUMBER						
	2	171976-0002	171976-0102	171976-0202						
	3	171976-0003	171976-0103	171976-0203						
	4	171976-0004	171976-0104	171976-0204						
	5	171976-0005	171976-0105	171976-0205						
	6	171976-0006	171976-0106	171976-0206						
	7	171976-0007	171976-0107	171976-0207						
E	8	171976-0008	171976-0108	171976-0208						
	9	171976-0009	171976-0109	171976-0209						
	10	171976-0010	171976-0110	171976-0210						
	11	171976-0011	171976-0111	171976-0211						
	12	171976-0012	171976-0112	171976-0212						
	13	171976-0013	171976-0113	171976-0213						
	14	171976-0014	171976-0114	171976-0214						
	15	171976-0015	171976-0115	171976-0215						
D	16	171976-0016	171976-0116	171976-0216						
	17	171976-0017	171976-0117	171976-0217						
	18	171976-0018	171976-0118	171976-0218						
	19	171976-0019	171976-0119	171976-0219						
	20	171976-0020	171976-0120	171976-0220						
	21	171976-0021	171976-0121	171976-0221						
	22	171976-0022	171976-0122	171976-0222						
	23	171976-0023	171976-0123	171976-0223						
	24	171976-0024	171976-0124	171976-0224						
C	25	171976-0025	171976-0125	171976-0225						

SYMBOLS	THIS DRAWING CONTAINS INFORMATION THAT IS PROPRIETARY TO MOLEX ELECTRONIC TECHNOLOGIES, LLC AND SHOULD NOT BE USED WITHOUT WRITTEN PERMISSION													
	DIMENSION UNITS		SCALE		CURRENT REV DESC: REV PER QUAL									
	mm		1:1		<b>molex</b>  SL RTAN HEADER ASSY SMT NO PEGS  PRODUCT CUSTOMER DRAWING									
	GENERAL TOLERANCES (UNLESS SPECIFIED)										EC NO: 174682		2018/04/04	
	ANGULAR TOL ± 0.5°										DRWN: KSAMIEC		2018/04/09	
	4 PLACES ±										CHK'D: MKIPPER		2018/04/11	
	3 PLACES ±				APPR: FSMITH		2018/04/11							
	2 PLACES ± 0.25				INITIAL REVISION:									
	1 PLACE ± 0.38				DRWN: KSAMIEC		2016/09/01							
	0 PLACES ± 0.0				APPR: FSMITH		2016/10/20							
DRAFT WHERE APPLICABLE MUST REMAIN WITHIN DIMENSIONS				THIRD ANGLE PROJECTION		DRAWING		SERIES		DOCUMENT NUMBER				
						B-SIZE		171976		1719760000-SD				
								PSD		000 B1				
								MATERIAL NUMBER		CUSTOMER				
								SEE CHART		GENERAL MARKET				
										SHEET NUMBER				
										2 OF 2				