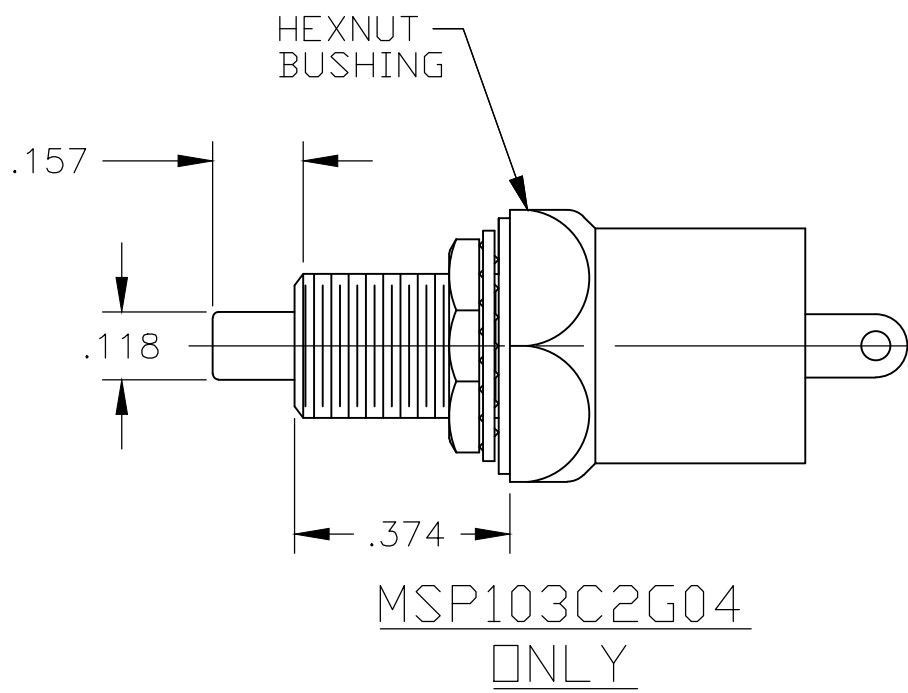
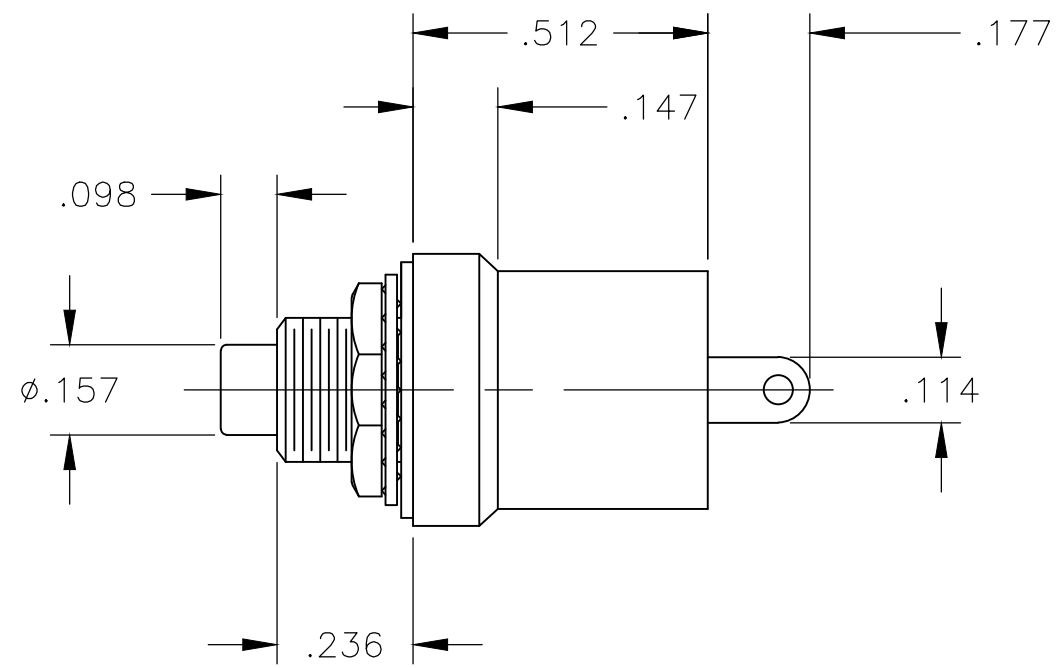


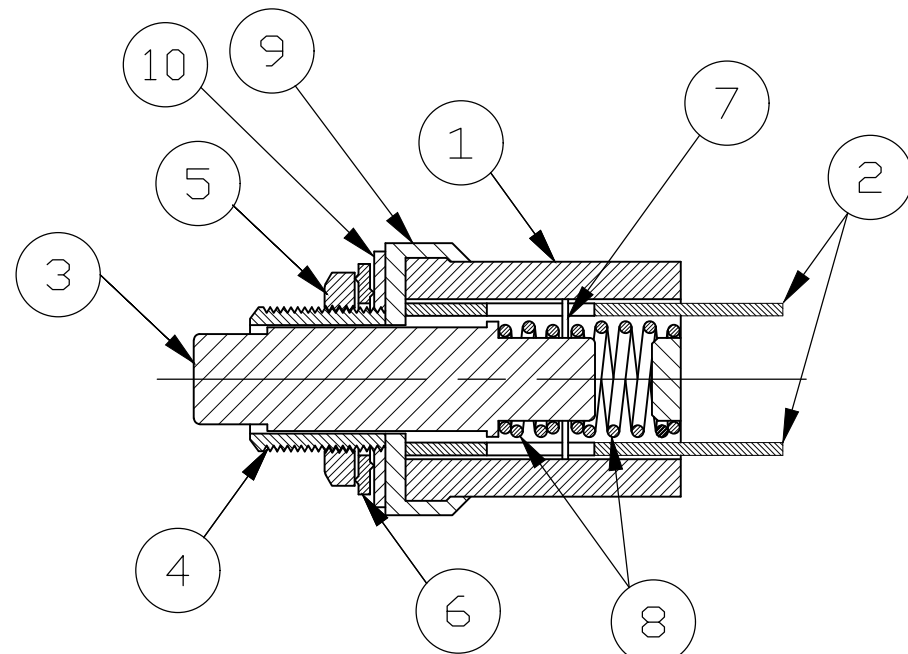
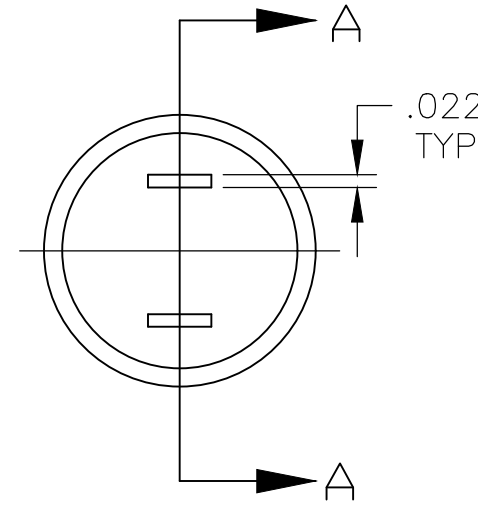
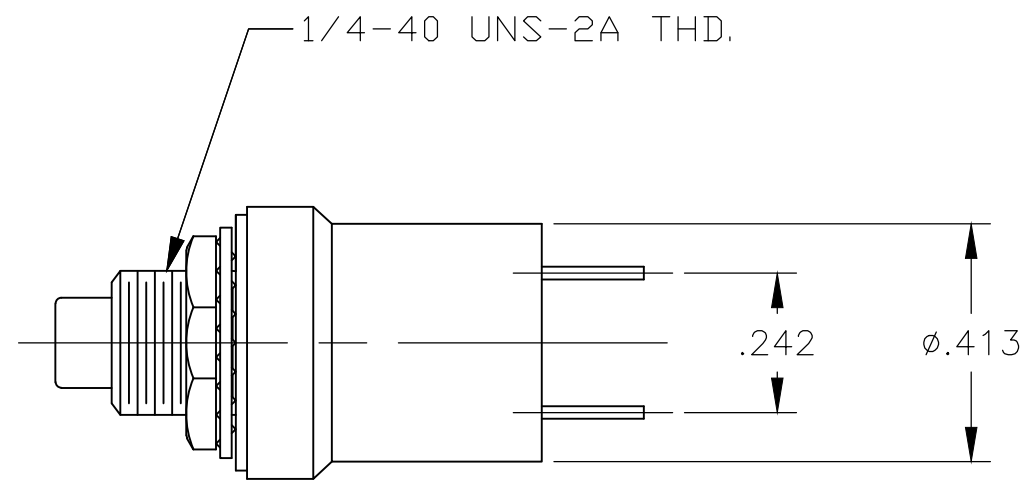
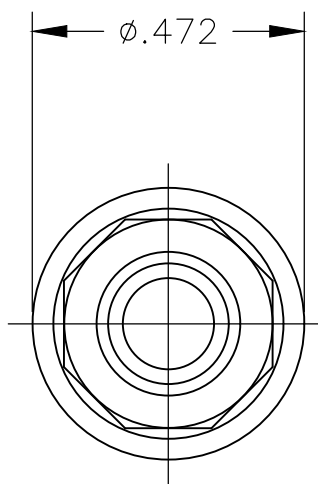
THIS DRAWING IS UNPUBLISHED. RELEASED FOR PUBLICATION
 © COPYRIGHT - TE Connectivity Ltd. ALL RIGHTS RESERVED.

REVISIONS					
P	LTR	DESCRIPTION	DATE	DWN	APVD
B		ECR-18-009229	26SEP2018	DHC	PO

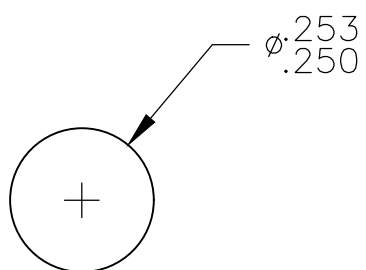


1. ALL MATERIAL AND FINISHES COMPLY WITH EC DIRECTIVE 2002/95/EC OF 27JAN2003 (ROHS)
 2. OBSOLETE

Specifications	
Contact rating	min: 10mA @ 5 VAC/DC max: 25mA @ 20 VDC
Initial contact resistance	20 milliohms max at 1.5mA, 200 mvAC
Insulation resistance	100 megohms min at 500 VDC
Dielectric strength	1,000 VAC, 1 minute
Electrical Life	10,000 operations
Operating temperature	-20°C to 80°C
Storage temperature	-20°C to 80°C
Recommended solder temp	Hand solder 420°C max, 3 seconds max.



SECTION A-A



RECOMMENDED PANEL CUTOUT

Materials Chart				
Item	Component name	Base Material	Finish	Qty
1	Case	Phenol resin, Black, UL94-HB		1
2	Terminal	Copper alloy	Gold	2
3	Actuator button	Polycarbonate resin, UL94 V-2		1
4	Bushing	Brass	Nickel	1
5	Hex nut	Brass	Nickel	1
6	Lockwasher	Steel	Zinc	1
7	Movable contact	Copper alloy	Gold	1
8	Spring	Music wire	Oil treated	2
9	Insulating plate	Paper phenol resin, natural, UL94 HB		1
10	Flat Washer	Brass	Nickel	1

Type	Momentary action	Actuator button color	Alco P/N	Tyco P/N
SPST	NO	Red	MSP103CG04	
SPST	NO	Black	MSP103COG04	1825333-1
SPST	NO	Red	MSP103C2G04	
SPST	NC	Black	MSP103BG04	

THIS DRAWING IS A CONTROLLED DOCUMENT.		DWN M.BINNER 18AUG05	TE Connectivity Ltd.	
DIMENSIONS: INCHES		CHK M.ZITTO 18AUG05		
TOLERANCES UNLESS OTHERWISE SPECIFIED:		APVD M.ZITTO 18AUG05	NAME SWITCH, PUSHBUTTON MSP103, GOLD	
0 PLC ± - 1 PLC ± - 2 PLC ± - 3 PLC ± .005 4 PLC ± - ANGLES ± 1°		PRODUCT SPEC -	DRAWING NO -	
MATERIAL		FINISH	WEIGHT 0.000000	RESTRICTED TO -
			CUSTOMER DRAWING	SCALE 1:1 SHEET 1 OF 1 REV B