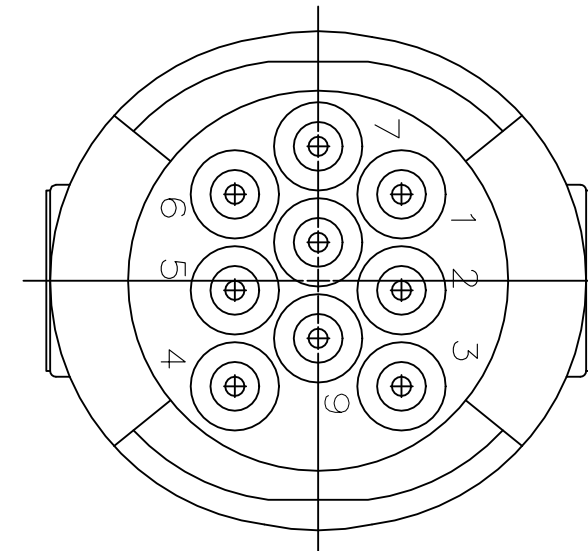
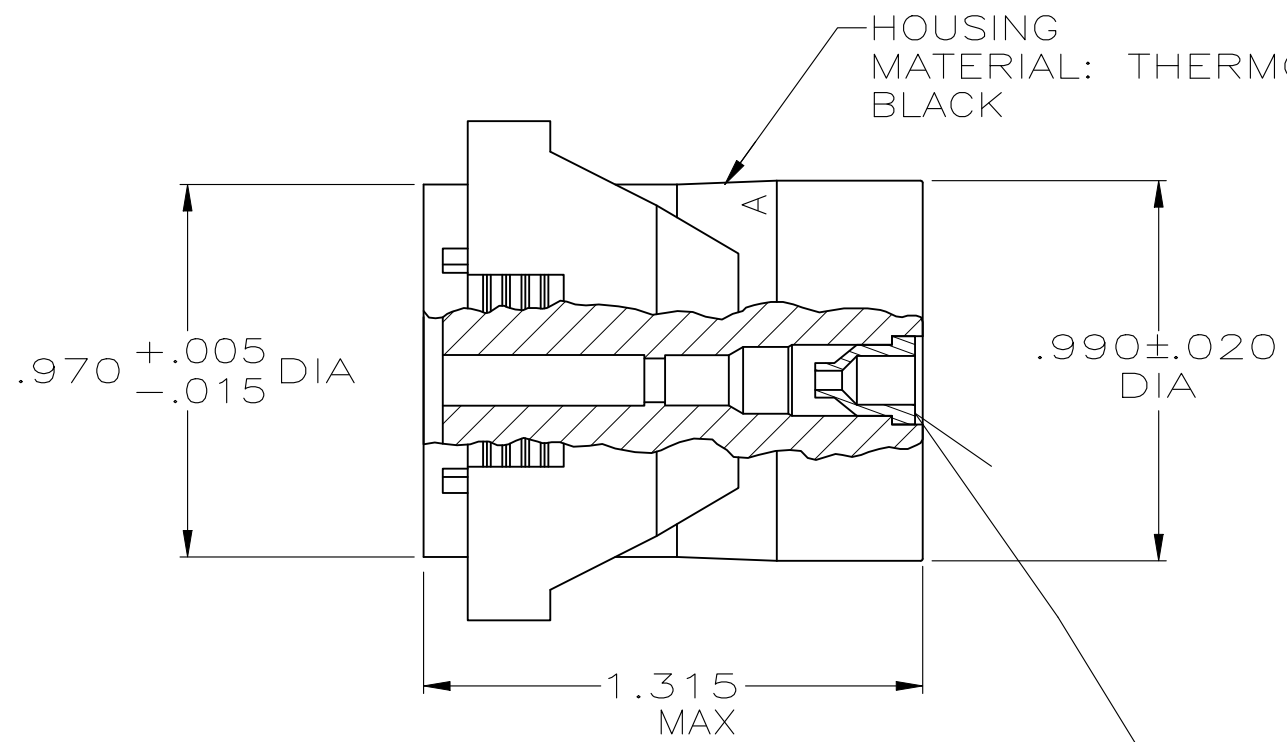
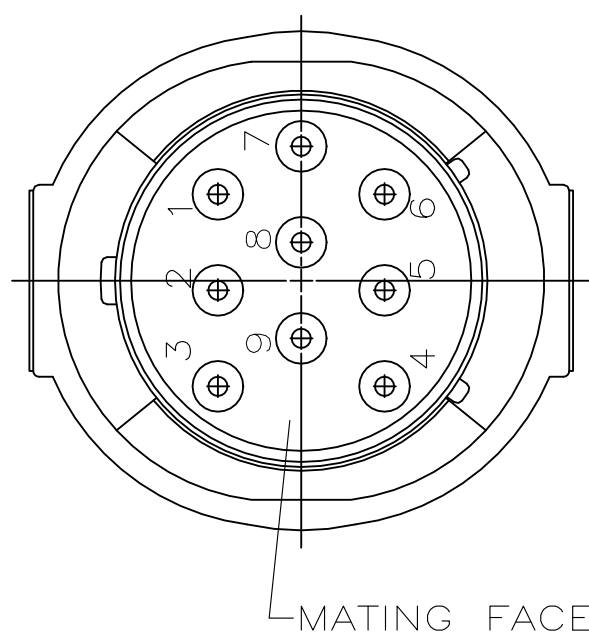


REVISIONS					
P	LTR	DESCRIPTION	DATE	DWN	APVD
	E	PER PCN E-20-018081	11MAR2021	SCK	



1. WIRE INSULATION SEALING RANGE: .070-.115 DIA.
2. MATES WITH 208538-1 OR 208546-1.
3. TOTAL LENGTH OF MATED CONNECTORS IS LESS THAN 2.50 INCHES.
4. THIN MEMBRANE PERMISSIBLE ON SMALL DIAMETER OF WIRE SEALS.

208530-1
PART NUMBER

THIS DRAWING IS A CONTROLLED DOCUMENT.		DWN J GALLUCCI BG 9-6-90	TE Connectivity		
DIMENSIONS: INCHES		CHK -			
TOLERANCES UNLESS OTHERWISE SPECIFIED:		APVD -	PRODUCT SPEC -		
		0 PLC ± -	APPLICATION SPEC -		
MATERIAL SEE CALLOUT		1 PLC ± -	2 PLC ± -	3 PLC ± -	4 PLC ± -
FINISH -		ANGLES ± -	WEIGHT 0.000000	SIZE A3	CAGE CODE 00779
			DRAWING NO C-208530		RESTRICTED TO -
			CUSTOMER DRAWING		SCALE 2:1
			SHEET 1 OF 1		REV E