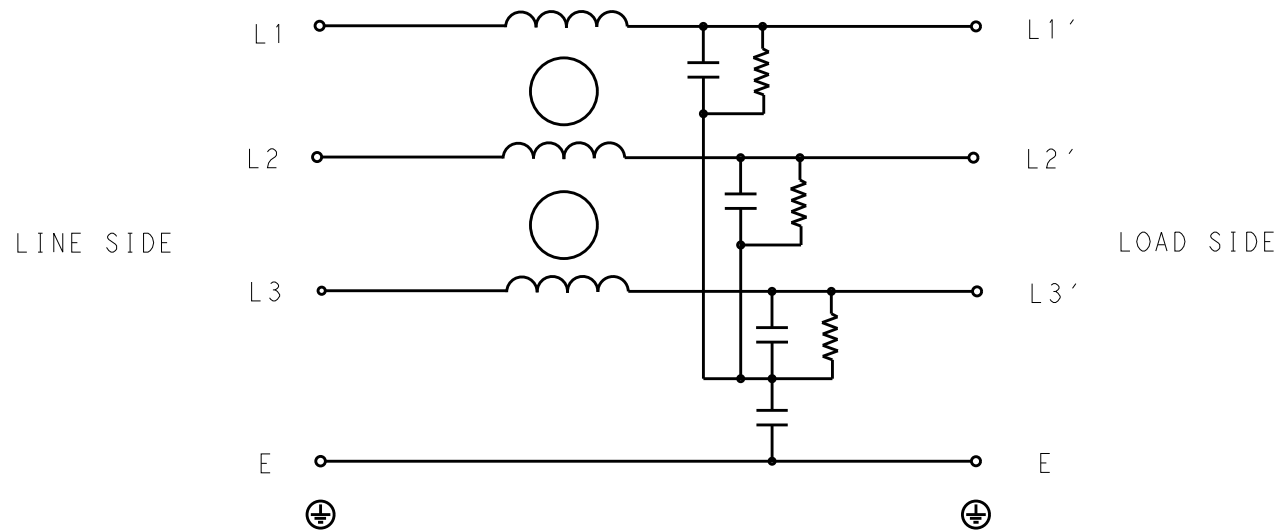


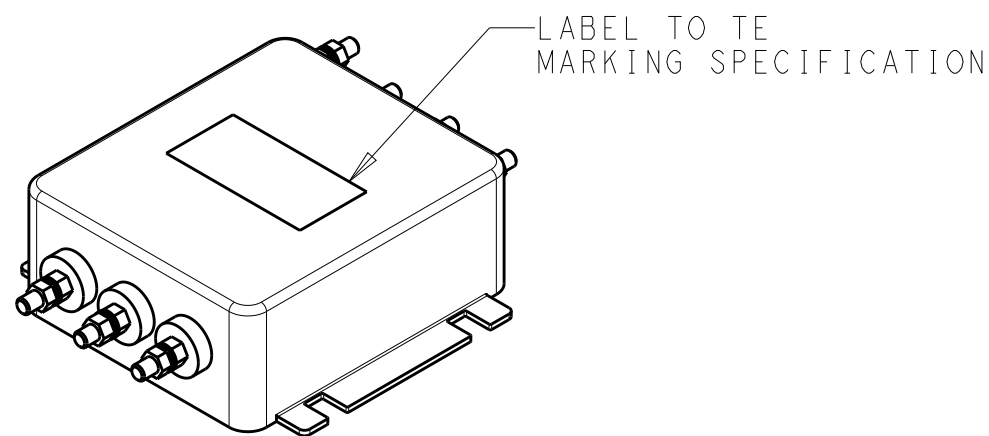
P	LTR	DESCRIPTION	DATE	DWN	APVD
	B	INITIAL RELEASE	07JUL2020	SR	LI



SCHEMATIC

TYPICAL INSERTION LOSS  
COMMON MODE 50/50Ω; DIFFERENTIAL MODE 50/50Ω

MHz	0.01	0.05	0.15	0.5	1	3	5	10	30
CM	2	2	5	15	22	36	53	39	28
DM	3	6	6	14	20	44	32	25	23



SAFETY ORGANIZATIONS

THIS FILTER WILL BE FORMALLY RECOGNIZED, CERTIFIED OR APPROVED BY THE LISTED AGENCY. THEREFORE, ALL TEST/REQUIREMENTS SPECIFIED IN THE LATEST REVISION OF THE FOLLOWING AGENCY STANDARDS WILL BE MET:

UL RECOGNIZED\* 20A 520V 50Hz/60Hz 40°C  
 CSA CERTIFIED\*\* 20A 520V 50Hz/60Hz 40°C  
 \*31 JULY 2020 ; \*\*31 AUGUST 2020

OPERATING SPECIFICATION

LINE CURRENT/VOLTAGE: 20A, 520VAC  
 LINE FREQUENCY: 50/60Hz

MAXIMUM LEAKAGE CURRENT: 3mA @ 230VAC, 50Hz

OPERATING AMBIENT TEMPERATURE RANGE @ RATED CURRENT: -25°C TO +40°C

IN AN AMBIENT, T<sub>a</sub>, HIGHER THAN 40°C, THE MAXIMUM OPERATING CURRENT, I<sub>o</sub>, IS AS FOLLOWS:

$$I_o = I_r \sqrt{\frac{85 - T_a}{45}}$$

RELIABILITY SPECIFICATIONS

STORAGE TEMPERATURE: -40°C TO +85°C  
 HUMIDITY: 21 DAYS @ 40°C AND 95% RH

TEST SPECIFICATIONS

INDUCTANCE, NOMINAL: 0.35mH

CAPACITANCE @ 1kHz  
 LINE TO GROUND, NOMINAL: 18nF  
 LINE TO LINE, NOMINAL: 50nF

DISCHARGE RESISTOR


L/G I.R. 680KΩ 1W  
 L/L I.R. 2MΩ 1W  
 L/N I.R. XXX  
 N/G I.R. XXX  
 IR (NO DISCHARGE RESISTOR) 20°C, 50% RH AND 100VDC, MIN: 6MΩ

RECOMMENDED RECEIVING INSPECITON HIPOI

LINE TO GROUND FOR 1 MINUTE: 2856VDC  
 LINE TO LINE FOR 1 MINUTE: 2236VDC

FILTER APPROVAL

THE BEST WAY TO SELECT AND QUALIFY A FILTER IS FOR YOUR ENGINEERING TO TEST THE UNIT IN YOUR EQUIPMENT.

THIS DRAWING IS A CONTROLLED DOCUMENT.		DWN 06FEB2020 SUPREETH R	 TE Connectivity		
DIMENSIONS: mm		CHK 06FEB2020 LEO IRUDHAYARAJ			NAME POWER LINE FILTER 20KEBS6BFPD
TOLERANCES UNLESS OTHERWISE SPECIFIED:		APVD 06FEB2020 LEO IRUDHAYARAJ			
0 PLC ±- 1 PLC ±0.5 2 PLC ±0.40 3 PLC ±0.130 4 PLC ±0.0500 ANGLES ±-		PRODUCT SPEC -			RESTRICTED TO -
MATERIAL -		FINISH -	APPLICATION SPEC -	SIZE A3 CAGE CODE 00779 DRAWING NO C-4-1609965-5	
-		-	WEIGHT -	SCALE 1:2 SHEET 1 OF 2 REV B	
CUSTOMER DRAWING					

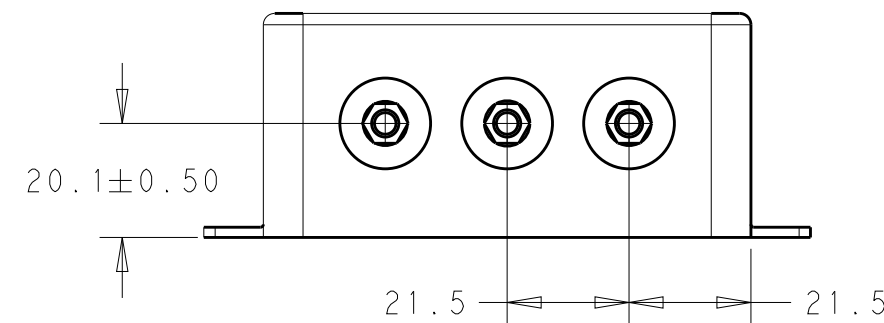
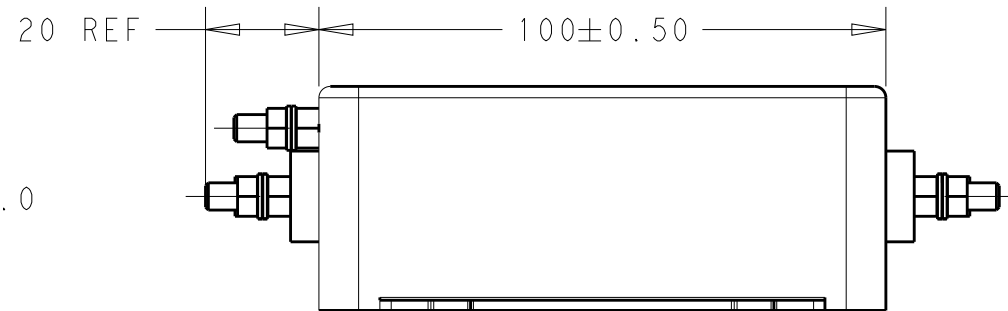
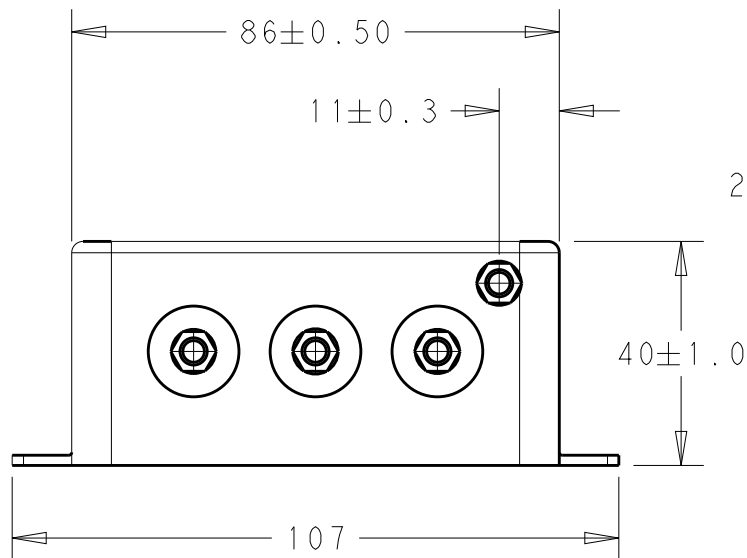
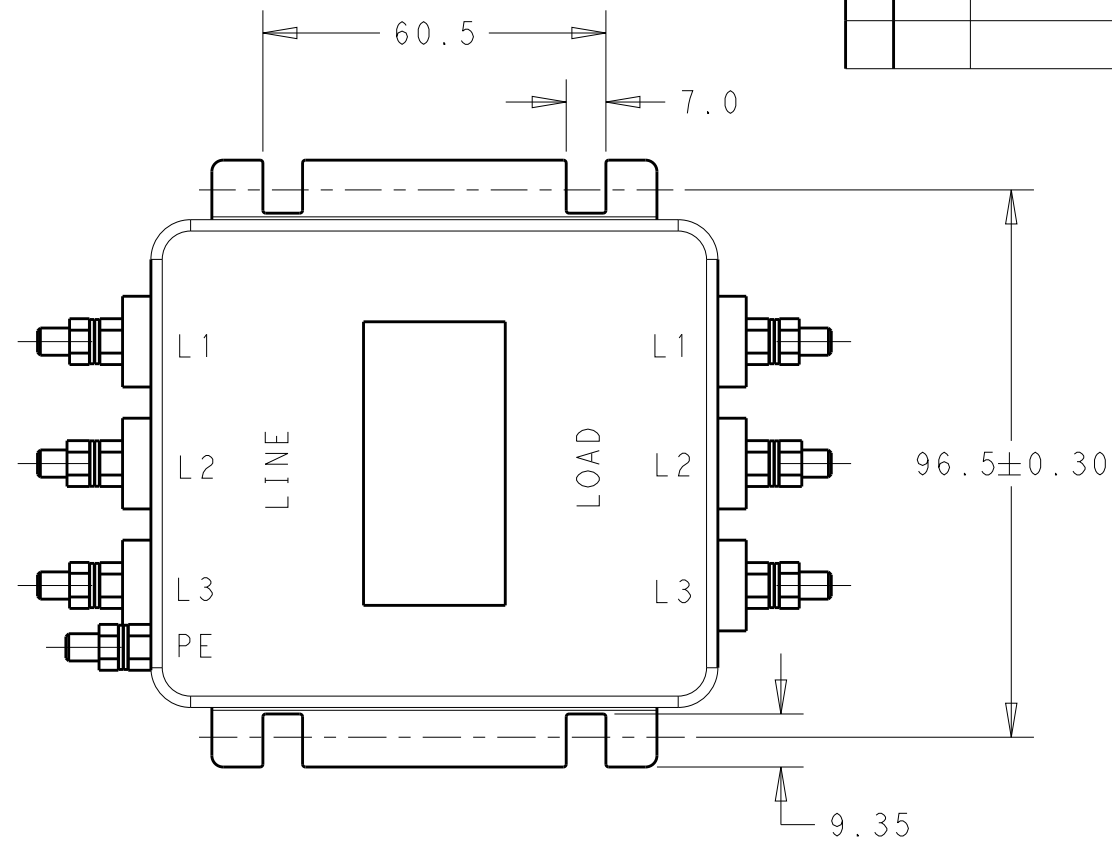
© 2020 TE Connectivity. All Rights Reserved.

REVISIONS

NOTE 1 GROUND CONNECTION:  
DO NOT LOOSEN INNER GROUND NUTS.  
TORQUE OUTER TERMINAL /GROUND NUTS: 2 Nm

NOTE 2 INPUT OUTPUT CONNECTION TERMINAL  
AWG SIZE: XXX  
THREADED BOLT SIZE FOR TERMINAL: M5  
THREADED BOLT SIZE FOR GROUND: M5

P	LTR	DESCRIPTION	DATE	DWN	APVD
		SEE SHEET 1			



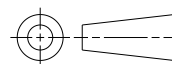
THIS DRAWING IS A CONTROLLED DOCUMENT.

DWN SUPREETH R 06FEB2020  
 CHK LEO IRUDHAYARAJ 06FEB2020  
 APVD LEO IRUDHAYARAJ 06FEB2020



DIMENSIONS:

mm



TOLERANCES UNLESS OTHERWISE SPECIFIED:

- 0 PLC ±-
- 1 PLC ±0.5
- 2 PLC ±0.40
- 3 PLC ±0.130
- 4 PLC ±0.0500
- ANGLES ±-

MATERIAL

-

FINISH

-

PRODUCT SPEC

APPLICATION SPEC

WEIGHT

-

NAME  
POWER LINE FILTER  
20KEBS6BFPD

SIZE	CAGE CODE	DRAWING NO	RESTRICTED TO
------	-----------	------------	---------------

A300779	C-4-1609965-5	-
---------	---------------	---

CUSTOMER DRAWING

SCALE 3:4

SHEET 2 OF 2

REV B