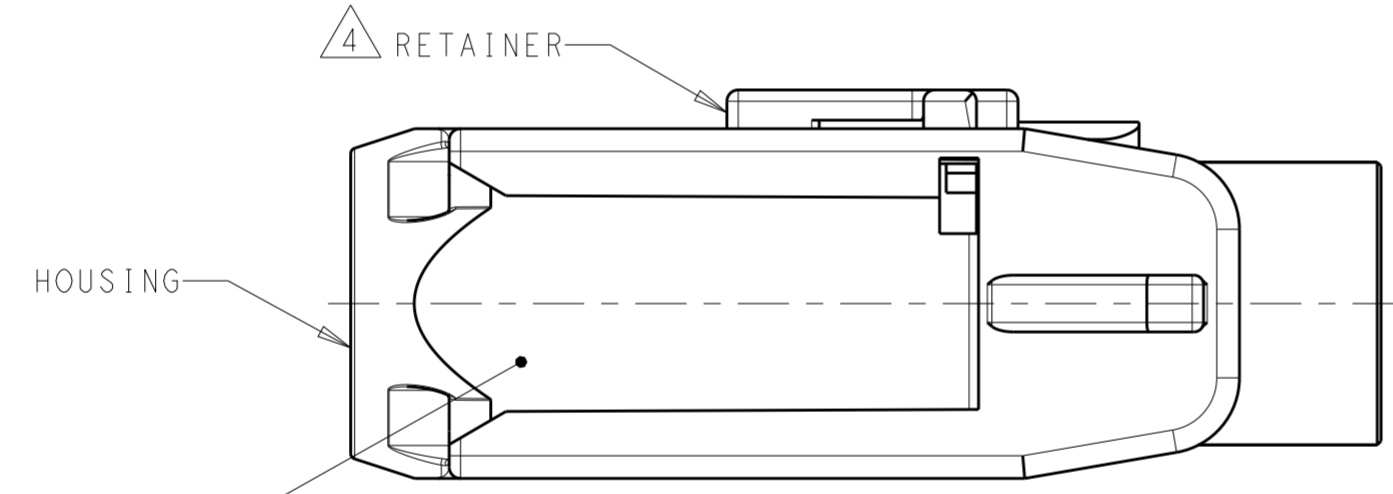
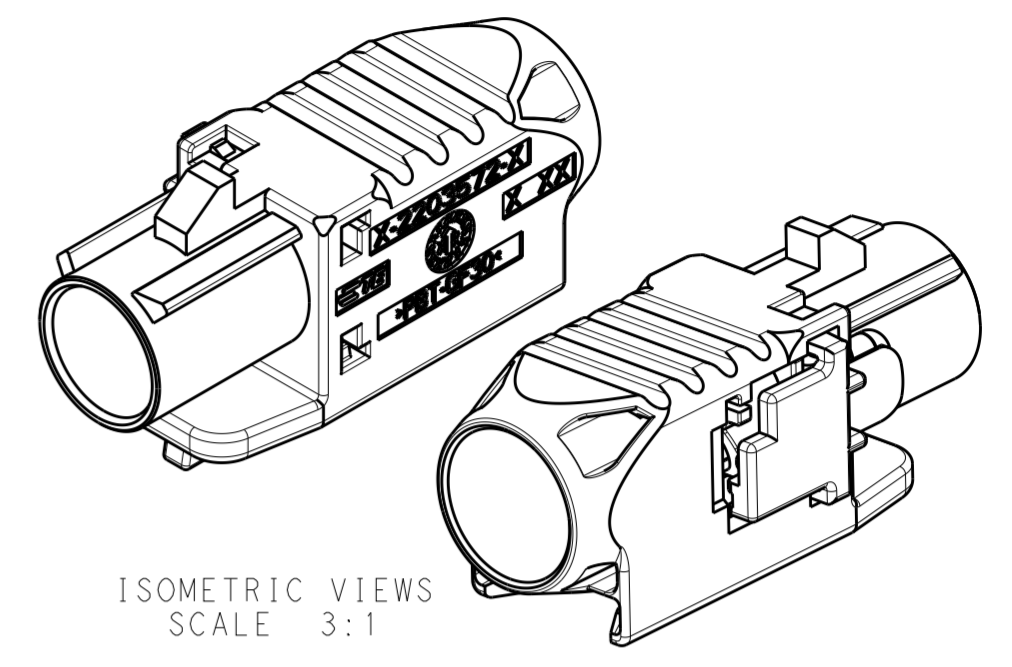
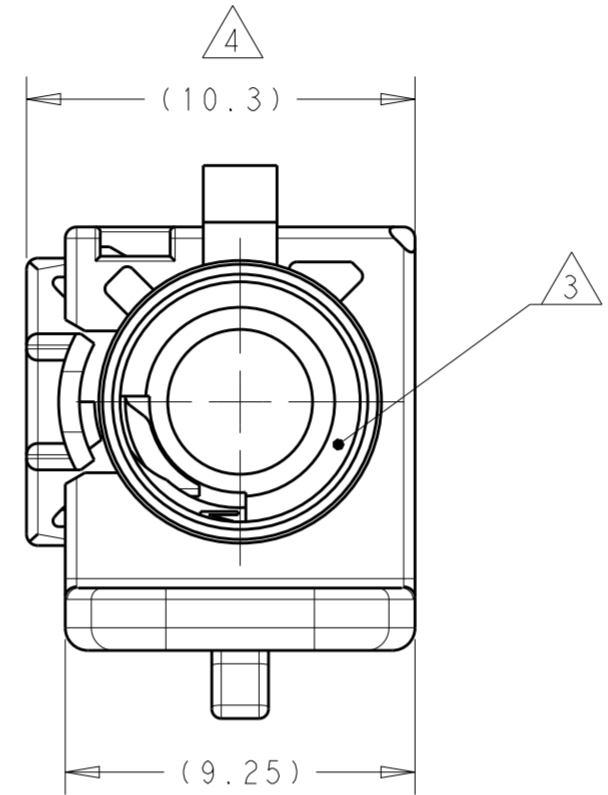
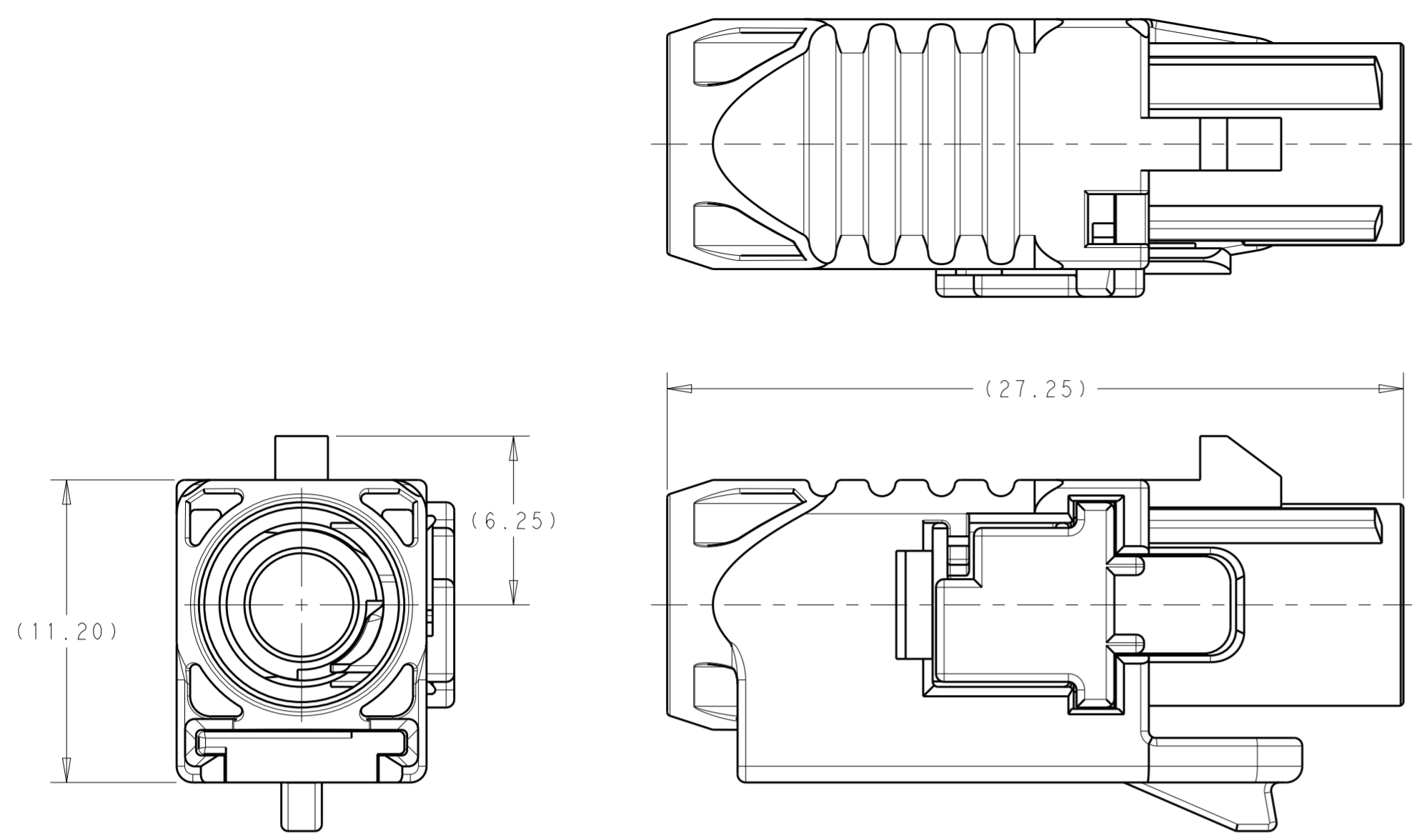


THIS DRAWING IS UNPUBLISHED. RELEASED FOR PUBLICATION 20  
 © COPYRIGHT 20 BY - ALL RIGHTS RESERVED.

REVISIONS				
P	LTR	DESCRIPTION	DATE	APVD
B		REVISED	03JUN2015	JAB DJL
C		REVISED	23DEC2015	DJL DJL
D		REVISED	14MAY2016	JAB DJL
E		REVISED	02MAY2017	JAB ERL



2272520-1 AS SHOWN

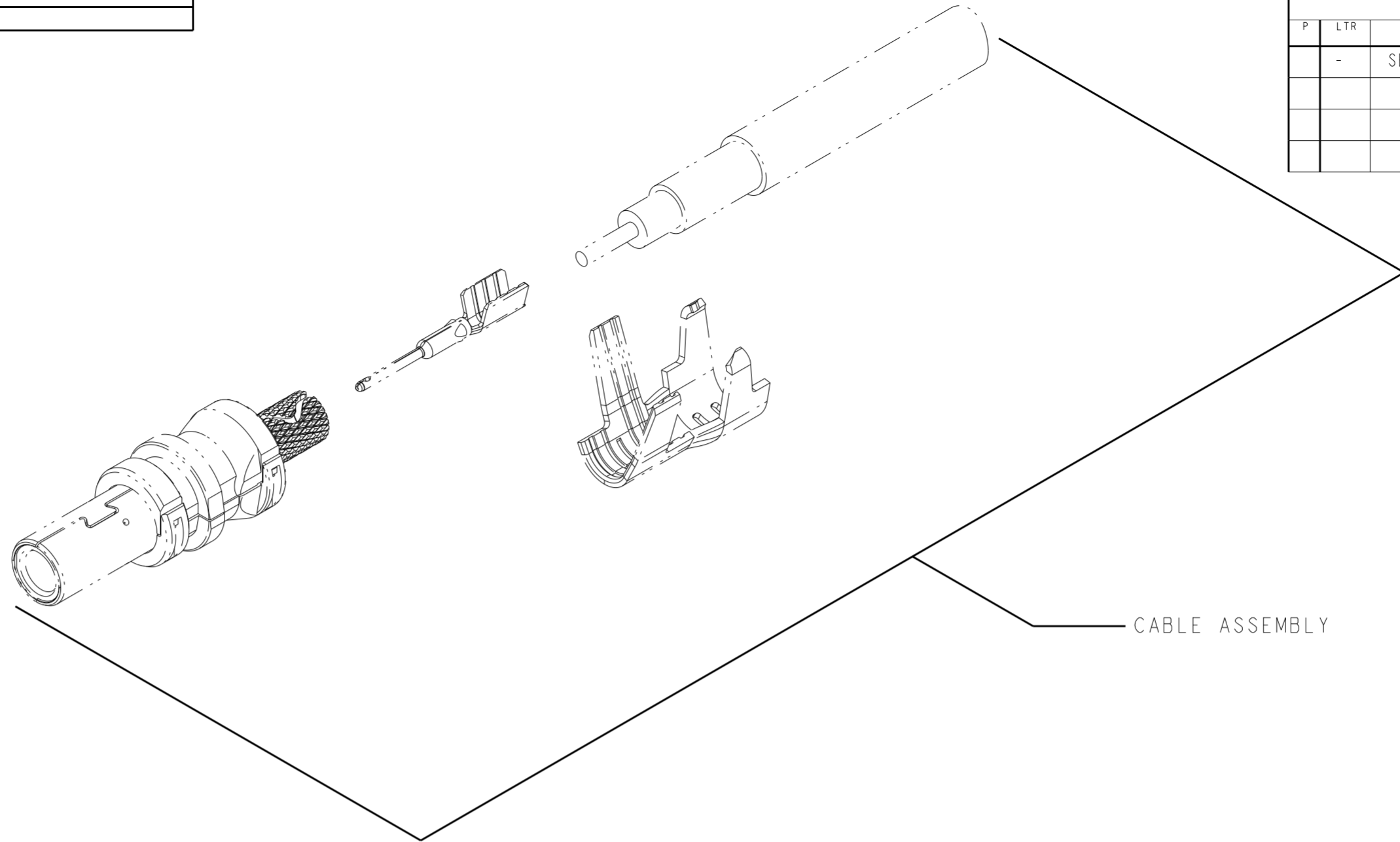
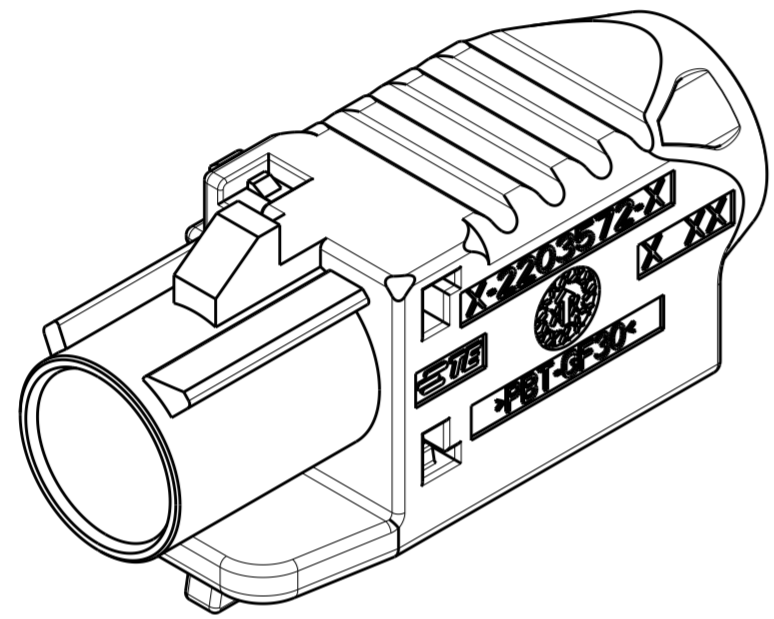
- 1 HOUSING - POLYESTER PBT, COLOR: SEE TABLE, GLASS FILLED.  
SECONDARY LOCK - POLYESTER PBT, WATER BLUE GLASS FILLED.  
CABLE ASSEMBLY - SEE DRAWING 2203265.
- 2 CABLE ASSEMBLY: SEE TABLE.
- 3 MALE INTERFACE PER ISO-20860-1, ISO-20860-2, SAE/USCAR-17, SAE/USCAR-18.
- 4 SECONDARY LOCK IN PRE-SET POSITION. IF SECONDARY LOCK IS IN FULLY LOCKED POSITION, SEE 408-162008 FOR INSTRUCTIONS TO RE-SET SECONDARY LOCK TO PRE-SET POSITION.
- 5. 2272520-1 AS SHOWN.
- 6 STANDARD 7mm CLIP SLOT EWCAP-005-7.

2203265-[1] (SOLD SEPARATELY) SEE SHEET 2	Z	PER DETAIL Z	WATER BLUE	2-2272520-0
	N	PER DETAIL N	PASTEL GREEN	1-2272520-3
	M	PER DETAIL M	PASTEL ORANGE	1-2272520-2
	L	PER DETAIL L	CARMINE RED	1-2272520-1
	K	PER DETAIL K	CURRY	1-2272520-0
	I	PER DETAIL I	BEIGE	2272520-9
	H	PER DETAIL H	HEATHER VIOLET	2272520-8
	G	PER DETAIL G	BLUE GREY	2272520-7
	F	PER DETAIL F	NUT BROWN	2272520-6
	E	PER DETAIL E	LEAF GREEN	2272520-5
	D	PER DETAIL D	CLARET VIOLET	2272520-4
C	PER DETAIL C	SIGNAL BLUE	2272520-3	
B	PER DETAIL B	CREAM	2272520-2	
A	PER DETAIL A	JET BLACK	2272520-1	
CABLE ASSEMBLY QTY=1	CODING REF	KEYING	CODING COLOR	PART NUMBER

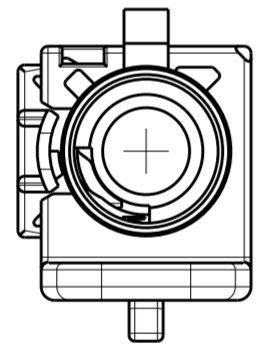
THIS DRAWING IS A CONTROLLED DOCUMENT.		DWN W. SOURBEER 12JAN2015	TE Connectivity	
		CHK D. J. LANE 12JAN2015		
		APVD D. J. LANE 12JAN2015		
DIMENSIONS: mm		PRODUCT SPEC 108-32137	NAME MALE HOUSING, ASSEMBLY, CLIP SLO 1 POSITION, FAKRA	
TOLERANCES UNLESS OTHERWISE SPECIFIED:		APPLICATION SPEC 114-32145	SIZE A2	CAGE CODE -
MATERIAL 1		WEIGHT -	DRAWING NO. C-2272520	RESTRICTED TO -
		CUSTOMER DRAWING	SCALE 5:1	SHEET 1 OF 2 REV E

THIS DRAWING IS UNPUBLISHED. RELEASED FOR PUBLICATION 20  
 © COPYRIGHT 20 BY - ALL RIGHTS RESERVED.

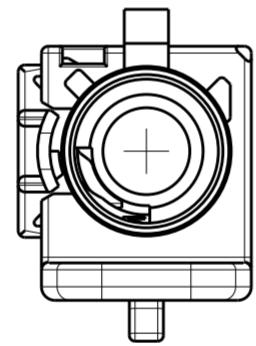
REVISIONS					
P	LTR	DESCRIPTION	DATE	DWN	APVD
-		SEE SHEET 1	-	-	-



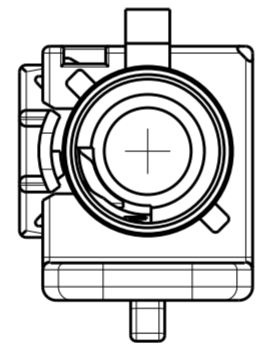
SCALE 4:1



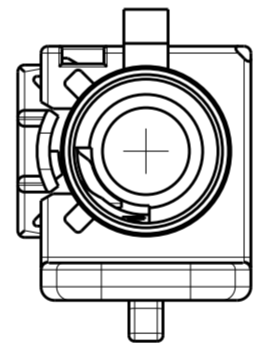
DETAIL A  
SCALE 3:1



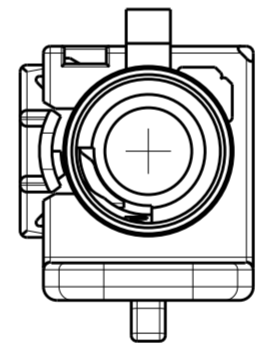
DETAIL B  
SCALE 3:1



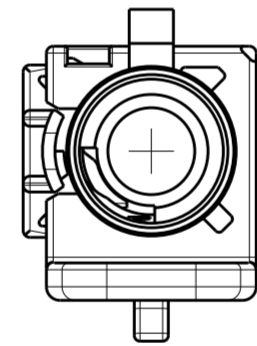
DETAIL C  
SCALE 3:1



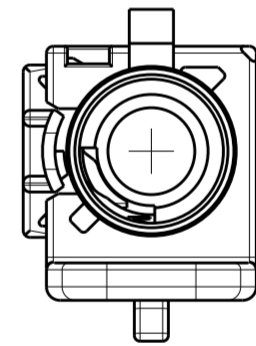
DETAIL D  
SCALE 3:1



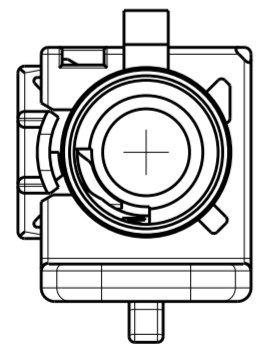
DETAIL E  
SCALE 3:1



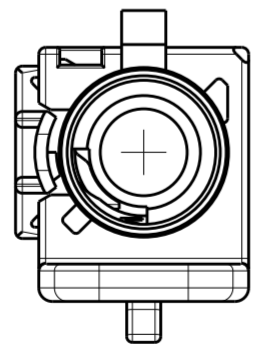
DETAIL F  
SCALE 3:1



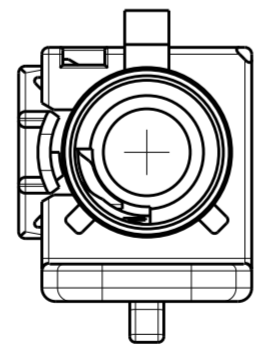
DETAIL G  
SCALE 3:1



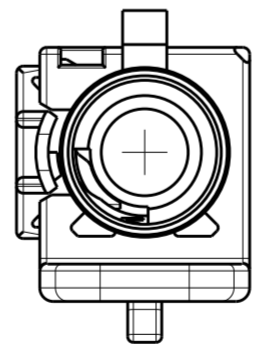
DETAIL H  
SCALE 3:1



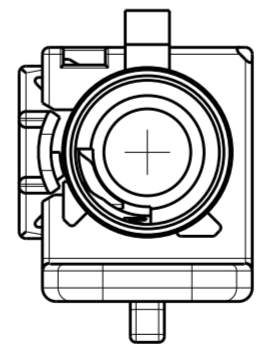
DETAIL I  
SCALE 3:1



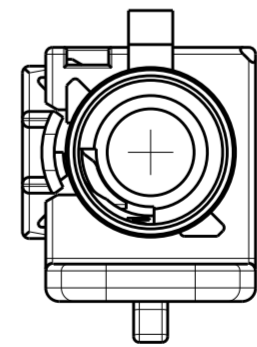
DETAIL K  
SCALE 3:1



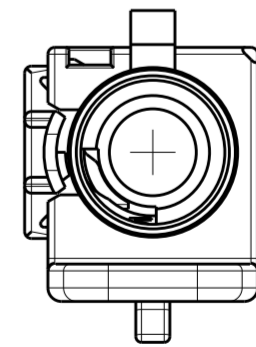
DETAIL L  
SCALE 3:1



DETAIL M  
SCALE 3:1



DETAIL N  
SCALE 3:1



DETAIL Z  
SCALE 3:1

THIS DRAWING IS A CONTROLLED DOCUMENT.		DWN W. SOURBEER 12 JAN 2015	TE Connectivity	
DIMENSIONS: mm		CHK D. J. LANE 12 JAN 2015		
TOLERANCES UNLESS OTHERWISE SPECIFIED:		APVD D. J. LANE 12 JAN 2015	NAME MALE HOUSING, ASSEMBLY, CLIP SLO 1 POSITION, FAKRA	
0 PLC ±		PRODUCT SPEC 108-32137	RESTRICTED TO	
1 PLC ±		APPLICATION SPEC 114-32145	SIZE A2	CAGE CODE -
2 PLC ±		WEIGHT -	DRAWING NO G-2272520	SCALE 5:1
3 PLC ±		CUSTOMER DRAWING	SHEET 2 OF 2	REV E
4 PLC ±				
ANGLES ±				
FINISH -				
-				