

PLEASE CHECK WWW.MOLEX.COM FOR LATEST PART INFORMATION

Part Number: [0395430207](#)
Status: **Active**
Overview: Eurostyle Terminal Blocks
Description: 5.00mm Pitch Eurostyle 45° Wire Entry Fixed Mount PCB Terminal Block, with Screw Pressure Clamp, 7 Circuits

Documents:

[3D Model](#) [3D Model \(PDF\)](#)
[Drawing \(PDF\)](#) [RoHS Certificate of Compliance \(PDF\)](#)

Agency Certification

UL E48521

General

Product Family Terminal Blocks
 Series [39543](#)
 Application N/A
 Component Type One Piece
 Overview [Eurostyle Terminal Blocks](#)
 Product Name ESE, Eurostyle Fixed Mount
 Type Euro Block
 UPC 822350536837

Physical

Circuits (Loaded) 7
 Entry Angle 45° Angle
 Lock to Mating Part None
 Number of Rows 1
 Orientation 45° Angle
 PC Tail Length 3.00mm
 PCB Thickness - Recommended 2.00mm
 Panel Mount No
 Pitch - Mating Interface 5.00mm
 Pitch - Termination Interface 5.00mm
 Polarized to Mating Part N/A
 Stackable No
 Temperature Range - Operating -40° to +105°C
 Wire Size AWG 14, 16, 18, 20, 22, 24
 Wire Size mm² 0.20-2.08

Electrical

Current - Maximum per Contact 10.0A
 Voltage - Maximum 300V

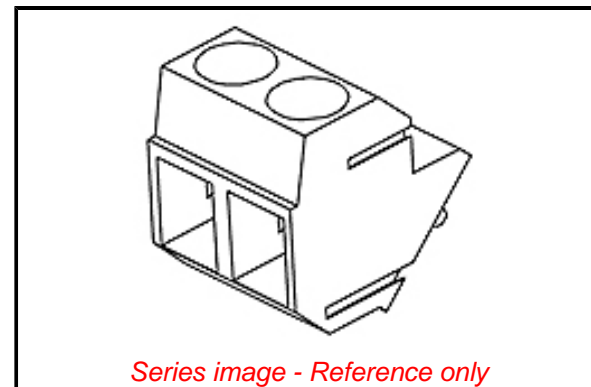
Solder Process Data

Duration at Max. Process Temperature (seconds) 005
 Lead-free Process Capability WAVE
 Max. Cycles at Max. Process Temperature 135
 Process Temperature max. C 260

Material Info

Reference - Drawing Numbers

Sales Drawing SD-39543-001-001



Series image - Reference only

EU ELV

Not Relevant

EU RoHS

Not Reviewed

REACH SVHC

Not Reviewed

Halogen-Free

Status

Not Reviewed

For more information, please visit [Contact US](#)

China ROHS

Not Reviewed

ELV

Not Relevant

RoHS Phthalates

Not Reviewed

China RoHS

Search Parts in this Series

[39543 Series](#)

PLEASE CHECK WWW.MOLEX.COM FOR LATEST PART INFORMATION