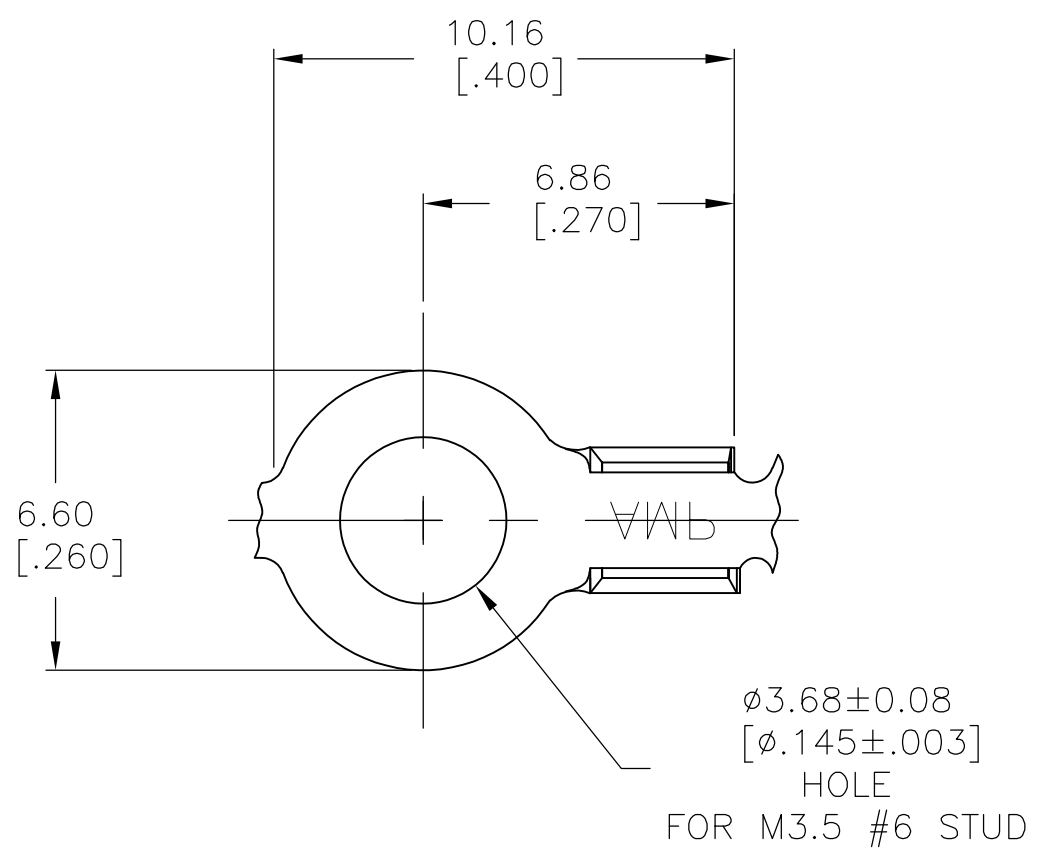
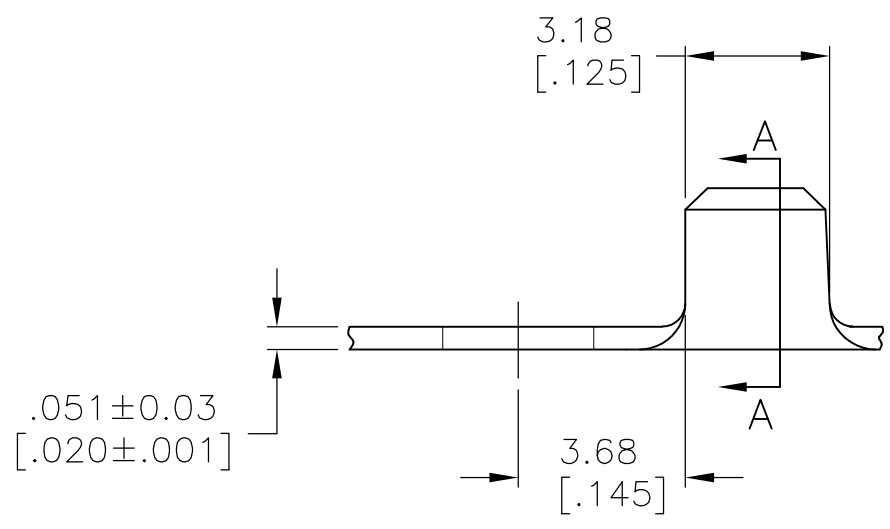
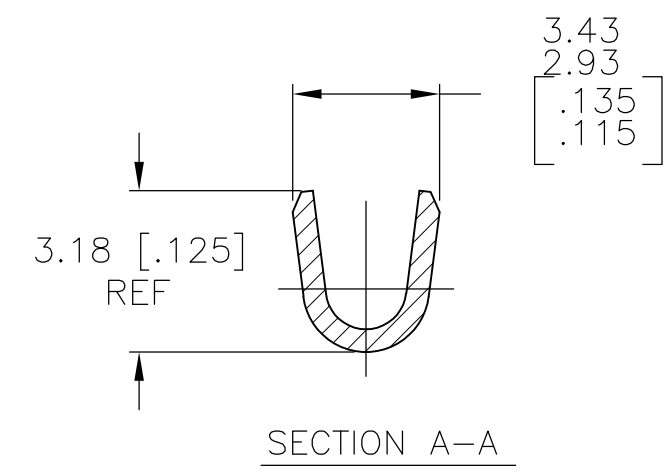


THIS DRAWING IS UNPUBLISHED. RELEASED FOR PUBLICATION
 © COPYRIGHT - By - ALL RIGHTS RESERVED.

REVISIONS				
P	LTR	DESCRIPTION	DATE	APVD
	D2	REVISED PER ECR-16-016667	28NOV2016	JJ TD



1 CONTINUOUS STRIP ON REELS
 2 PRELIMINARY—NOT FOR PRODUCTION.



STAINLESS STEEL	0.5–1.4mm ² [#20–#16]	40811-2
T3 STEEL	0.5–1.4mm ² [#20–#16]	40811-1
BRASS	0.5–1.4mm ² [#20–#16]	40811
MATERIAL	WIRE RANGE	PART NO

THIS DRAWING IS A CONTROLLED DOCUMENT.		DWN RAGHAVENDRA 23FEB09	STE TE Connectivity	
DIMENSIONS: mm [INCHES]		CHK JEFF RUTH 23FEB09		
TOLERANCES UNLESS OTHERWISE SPECIFIED:		APVD DON DECKER 23FEB09	NAME	
0 PLC ± -		PRODUCT SPEC	RING	
1 PLC ± -		APPLICATION SPEC	RESTRICTED TO	
2 PLC ± -		—	SIZE	CAGE CODE
3 PLC ± 0.38 [.015]		—	DRAWING NO	—
4 PLC ± -		—	WEIGHT	—
ANGLES ± -		—	0.000000	A300779
MATERIAL SEE TABLE		FINISH TIN	C-40811	
			CUSTOMER DRAWING	SCALE 6:1
				SHEET 1 OF 1
				REV D2