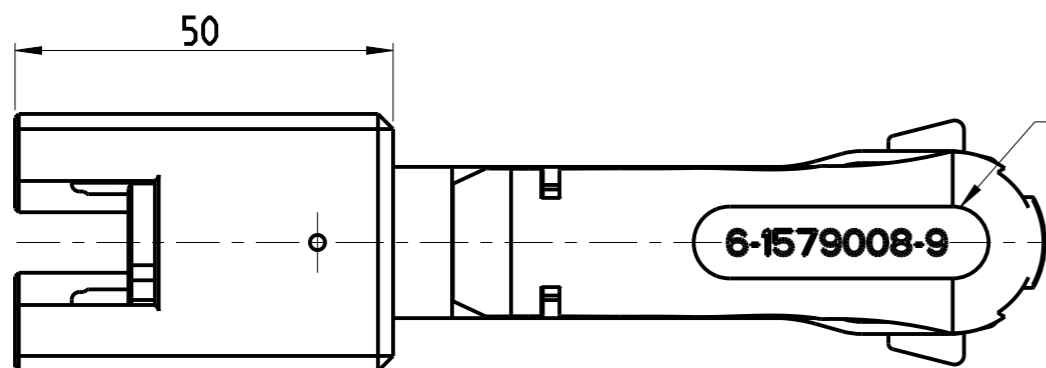
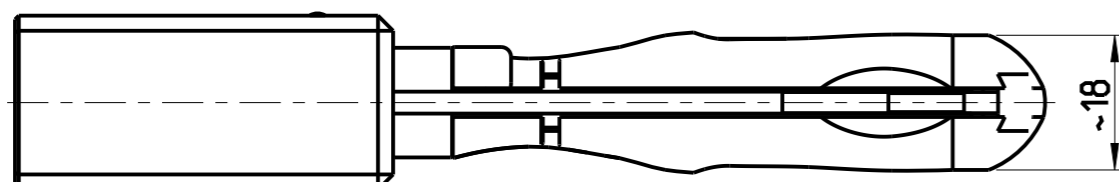
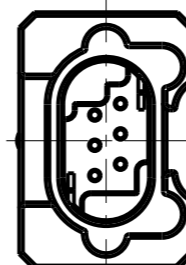
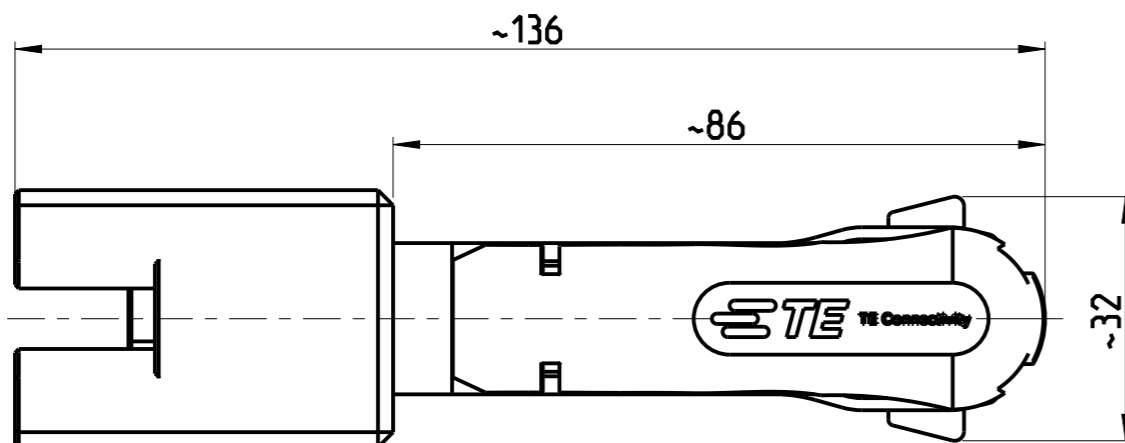


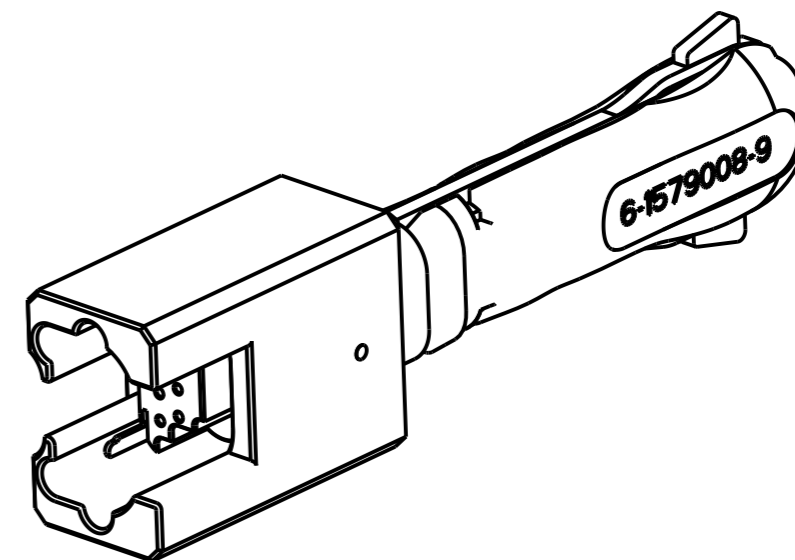
© 2021 TE Connectivity. All Rights Reserved.

REVISIONS

P	LTR	DESCRIPTION	DATE	DWN	APVD
B		ECR-13-013672	29AUG2013	MG	LB
B1		ECR-21-001695	09FEB2021	PNT	GS



ITEM NUMBER
Art-Nr H=3mm

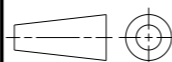


APPLICATION RANGE / Anwendungsbereich:

CONTACT MQS: 962885, 965908
HOUSING 6 Pos. MQS: 967361, 967587

THIS DRAWING IS A CONTROLLED DOCUMENT.

DIMENSIONS:
mm



TOLERANCES UNLESS OTHERWISE SPECIFIED:

- 0 PLC ±
- 1 PLC ±
- 2 PLC ±
- 3 PLC ±
- 4 PLC ±
- ANGLES ±

MATERIAL

FINISH

DWN S. Samstag 13MAY2008
 CHK S. Samstag 13MAY2008
 APVD S. Samstag 13MAY2008
 PRODUCT SPEC

APPLICATION SPEC

WEIGHT

CUSTOMER DRAWING



NAME
LOCKING TOOL
Verriegelungswerkzeug

SIZE	CAGE CODE	DRAWING NO	RESTRICTED TO
------	-----------	------------	---------------

A3	00779	C-6-1579008-9	-
----	-------	---------------	---

SCALE	SHEET	OF	REV
1:1	1	1	B1