

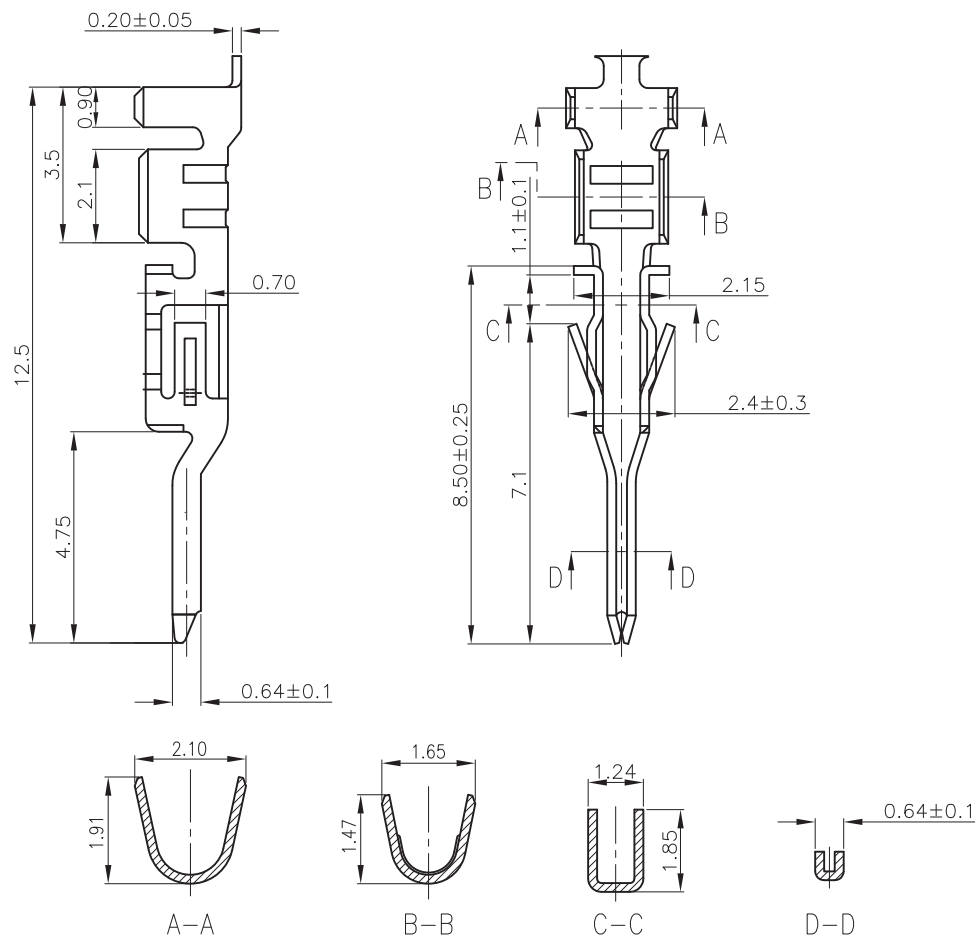
1

2

3

4

5



TECHNICAL CHARACTERISTICS

MATERIAL

CONTACT MATERIAL: COPPER ALLOY
CONTACT TYPE: STAMPED
CONTACT PLATING: TIN
QUALITY CLASS: 25 MATING CYCLES

ENVIRONMENTAL

OPERATING TEMPERATURE: -25 UP TO 105 °C
COMPLIANCE: LEAD FREE AND ROHS

ELECTRICAL

CURRENT RATING: 5A
WORKING VOLTAGE: 250 VAC
CONTACT RESISTANCE: 10 mOHM MAX

MECHANICAL

STRANDED WIRE: 30-26 AWG

PACKAGING

BULK/LOOSE DELIVERY IN A BAG
EACH CONTACT SEPARATED FROM EACH OTHER
NOT ON A REEL
100PCS/PER BAG. MULTIPLE OF 100PCS ONLY
1PCS OF 66200513722DEC=1 CRIMP CONTACT
SO 1 BAG MEANS 100 PCS OF 66200513722DEC

RoHS Compliant

PROJECTION:



GENERAL TOLERANCE

.X = ± 0.2 .XX = ± 0.15 

APPROVAL: BBu

UNIT: MM

DESCRIPTION: 3.00 MM MALE CRIMP TERMINAL

SIZE

SCALE:

WERI PART NO: 662 005 137 22DEC

A4

SHEET: 1/2

DRAW: AK

F			
E			
D			
C			
B			
A	15-JUL-15	PDF	AK
REV	DATE	FILE	BY

1

2

3

4

5

Cautions and Warnings:

This electronic component is designed and developed with the intention for use in general electronics equipments.

Before incorporating the components into any equipments in the field such as aerospace, aviation, nuclear control, submarine, transportation, (automotive control, train control, ship control), transportation signal, disaster prevention, medical, public information network etc. where higher safety and reliability are especially required or if there is possibility of direct damage or injury to human body, Würth Elektronik must be asked for a written approval.

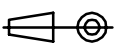

In addition, even electronic component in general electronic equipments, when used in electrical circuits that require high safety, reliability functions or performance, the sufficient reliability evaluation-check for the safety must be performed before by the user before usage.

A

B

C

RoHS Compliant

G				PROJECTION: 	GENERAL TOLERANCE .X = +/- 0.2 .XX = +/- 0.15		
F							
E							
D							
C				APPROVAL: JC	UNIT: MM	DESCRIPTION: DISCLAIMER	SIZE A4
B					SCALE:		
A	10-SEP-14	PDF	QL		SHEET: 2/2	WERI PART NO: DISCLAIMER	
REV	DATE	FILE	BY		DRAW: QL		

D