



# 63 MHz Saw Filter

## Part Number: AM63S199

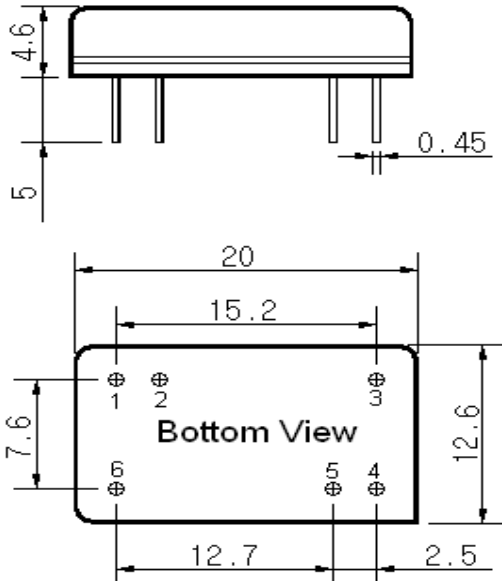


Parameters Description	Unit	Minimum	Typical	Maximum
Center Frequency (Fo)	MHz	-	63.0	-
Insertion Loss at Fo	dB	-	14.2	15.0
Amplitude Ripple Variation at Fo ± 100 kHz	dBp-p	-	1.0	2.0
Temperature Coefficient	ppm/°C	-	-0.03	-
Bandwidth at -3.0 dB	kHz	Fo ± 200	Fo ± 225	-
Bandwidth at -55.0 dB	kHz	-	Fo ± 750	Fo ± 800
Ultimate Attenuation	dB	50	55	-
Spurious Attenuation	dB	50	50	-

Parameters Description	Unit	Minimum	Typical	Maximum
Operation Temperature Range	°C	-55	-	+85
Storage Temperature Range	°C	-55	-	+85
Maximum DC Voltage	V	-	-	10
Maximum Input Power	dBm	-	-	10
Source Impedance (Single Ended) <sub>1</sub>	Ω	-	50	-
Load Impedance (Single Ended) <sub>1</sub>	Ω	-	50	-
Package Size and Type	20.2 x 12.6 x 4.6 mm D			

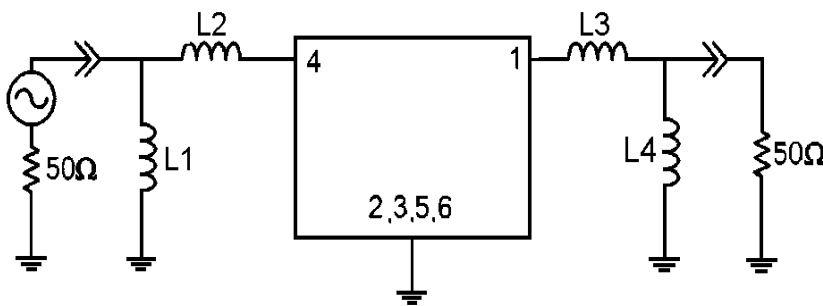


**Outline Drawing:**



Pin Description	
2,3,5,6	Ground
1	Input
4	Output

**Matching Configuration**



**50Ω Single-ended**

L1=82nH, L2=180nH, L3=220nH, L4=82nH  
Source / Load Impedance = 50Ω  
Ambient Temperature = 25°C



## Frequency Response:

