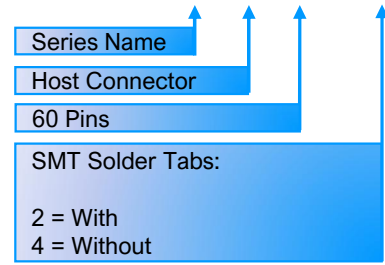


SPECIFICATIONS:

Withstanding Voltage: 300VAC for 1min
 Voltage Rating: 30V DC
 Current Rating:
 > Contacts - 0.5A per pin
 > Designated POW pin: 1.5A per pin
 Contact Resistance: 20mΩ max. at 20mV max.
 Operating Temp.: -55°C ~ +85 °C MAX
 Mating Cycle: 500 times

PART NUMBER:

CN176S-060-000X



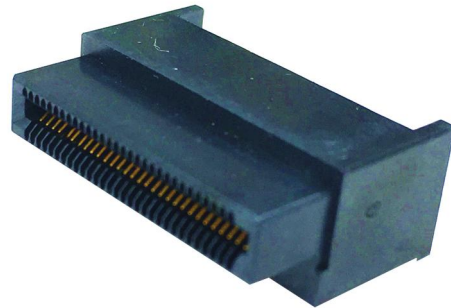
OSFP MSA COMPLIANT

MATERIALS AND FINISH:

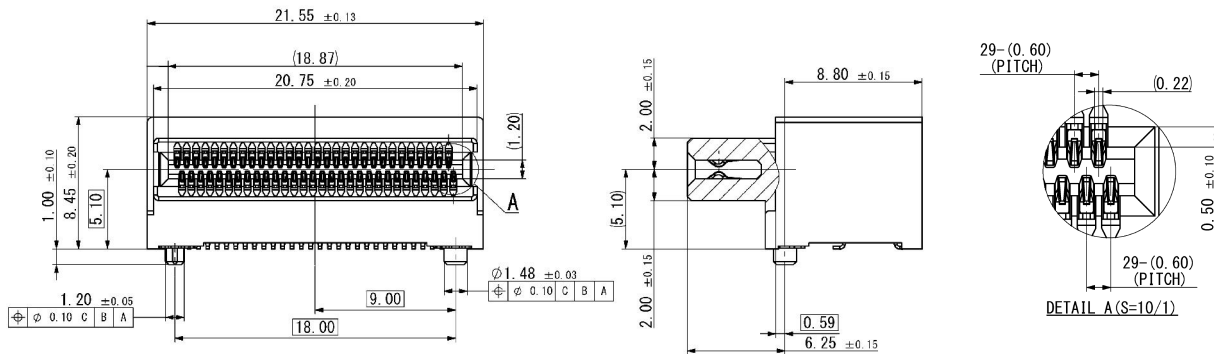
- Top & Bottom Contacts: Cu Alloy
- Insulator & Over mold: LCP

FEATURES:

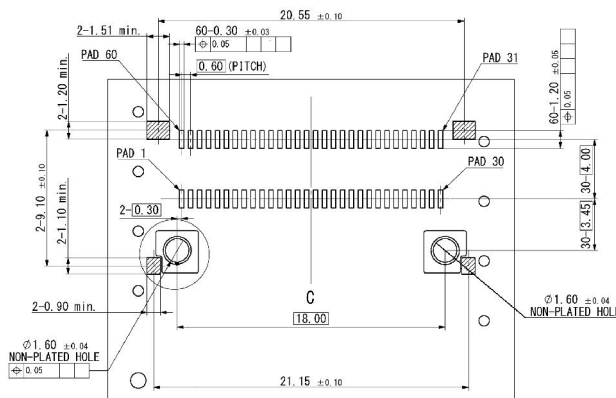
- OSFP MSA Design Guideline Compliant
- Support signals:
 > 56 ~ 64Gbaud x 8ch and future
 > 112Gbps/lane for 400G ~ 800GbE Technology
- Special SMT mount design to achieve 112G High-Speed transmission
- Current capacity: 2.40A/per line (surpass OSFP MSA SPEC 3.0 target 1.6A)
- Supports High-Power module up to 25W



OUTLINE DIMENSIONS (mm):



RECOMMENDED PC BOARD LAYOUT (mm, WITH SOLDER TABS):



YAMAICHI ELECTRONICS

OSFP Solution CN176 Series Line-Up

Product Features:

- Supports 56 ~ 64Gbaud x 8ch for 400G ~ 800GbE Technology and 64G ACO
- Current capacity = 2.40A/per line and support high-power module up to 25W
- Available for Single and Stacked type designs
- OSFP MSA Compliant



CN176 Series Stacked OSFP

Product PN	Product Description
CN176C-060-0001	Single Port OSFP Cage
CN176S-060-000*	OSFP Host Connectors
CN176C-*001-01	OSFP 1xN Host Cages (1x2, 1x4, 1x6)
CN176D-*001-01	OSFP Stacked 2xN Cage Assembly

OSFP Insertion Loss Data – Example: 2x1 Stacked OSFP

