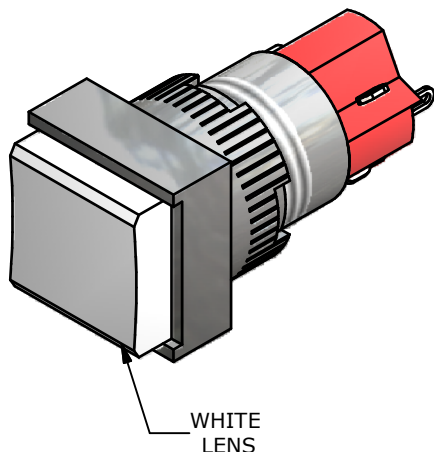
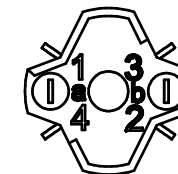
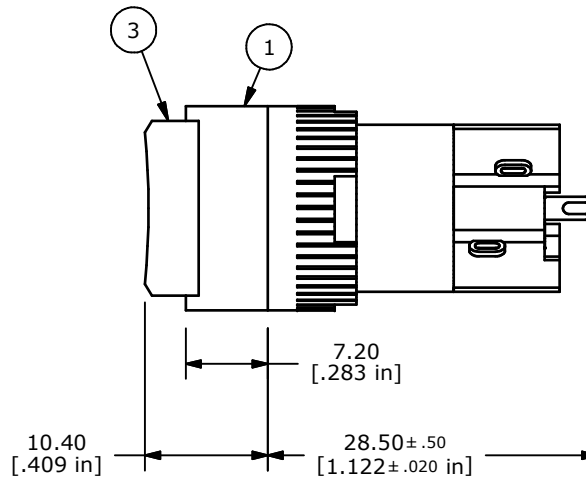
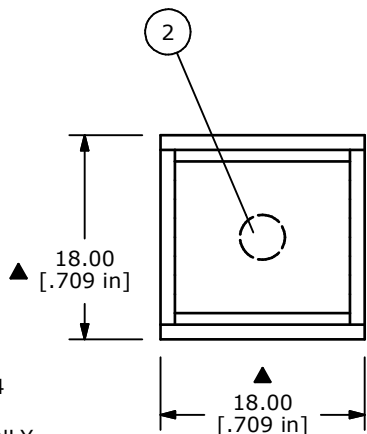
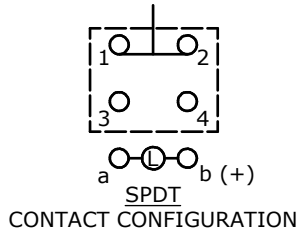


PANEL MOUNTING



PARTS LIST			
ITEM	QTY	PART NUMBER	DESCRIPTION
1	1	F040005	D16EES11
2	1	F050404	5000404 - 14V (AC/DC) INCANDESCENT - 80mA
3	1	F052305	500-03-05 OPAQUE LENS WHITE, SQUARE, CONCAVE



NOTE:

1. ALL DIMENSIONS IN MM [INCH]
2. GENERAL TOLERANCE: X.X=±0.4
X.XX=±0.25
3. TERMINAL NUMBERS FOR REF ONLY
4. RATING: 5A @ 250 VAC
6A @ 24 VDC
8A @ 125 VAC
5. ELECTRIC LIFE: 50,000 MAKE-AND-BREAK CYCLES AT FULL LOAD.
6. INSULATION RESISTANCE: 1,000 MEGA-OHM MIN.
7. OPERATING TEMP.: -25°C to 55°C
8. SEAL RATING: IP 40
9. (MOUNTING) PANEL THICKNESS: 0.5 - 5.0 mm
- ▲10. LAMP VOLTAGE: 14V (AC or DC) - 80mA INCANDESCENT
11. ▲ DENOTES CRITICAL PARAMETER.
12. 2002/05/EC (ROHS) COMPLIANT.



A	18733	RELEASED FOR PRODUCTION	12/9/09	BLR
REV	PCR NO	DESCRIPTION	DATE	BY

TITLE D16EES11BWHT				
SCALE	DATE	DR	DWG	REV
1.5:1	12/9/2009	BLR	XF0809P	A

THE INFORMATION CONTAINED IN THIS DOCUMENT IS PROPRIETARY TO E-SWITCH AND IS NOT TO BE COPIED OR TRANSFERRED