

Aug.1.2019 Copyright 2019 HIROSE ELECTRIC CO., LTD. All Rights Reserved.
In case of consideration for using Automotive equipment / device which demand high reliability, kindly contact our sales window correspondents.

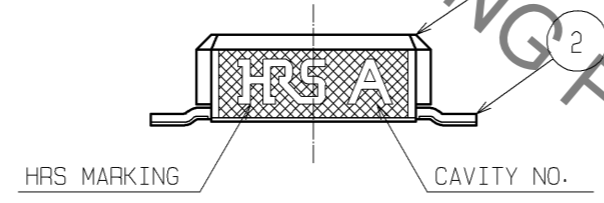
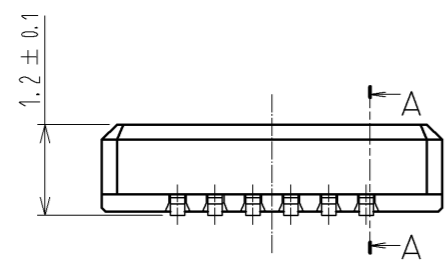
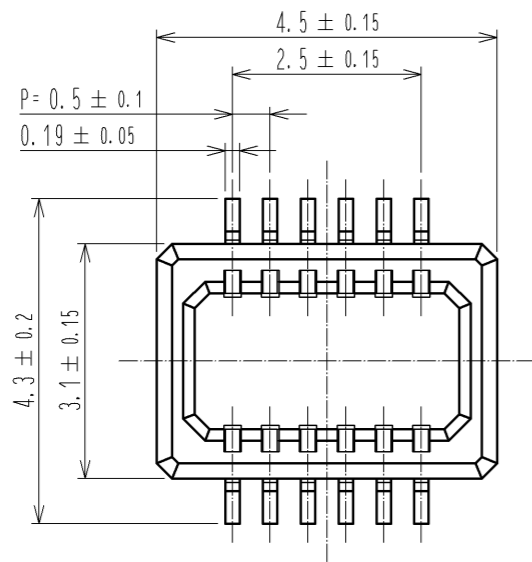


Fig.1 : PLATING SPECIFICATION (40:1)

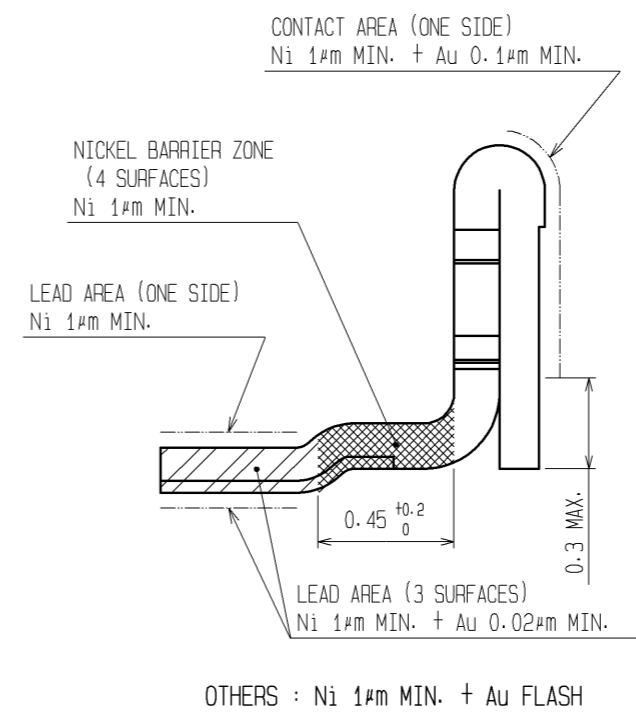


Fig.3 : A-A CROSS SECTION VIEW

Fig.2 : RECOMMENDED PATTERN

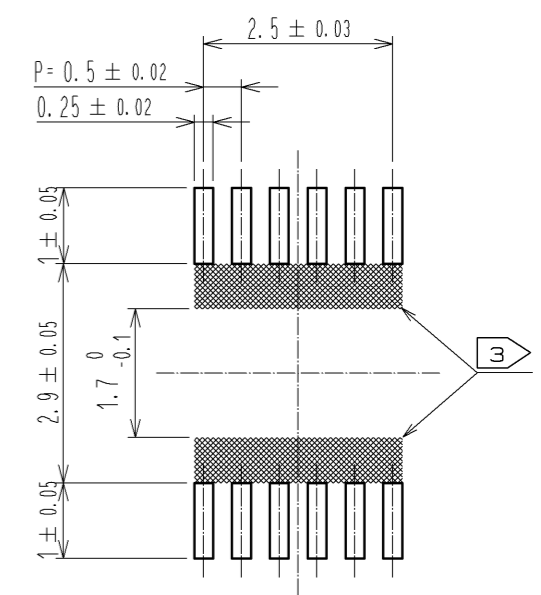
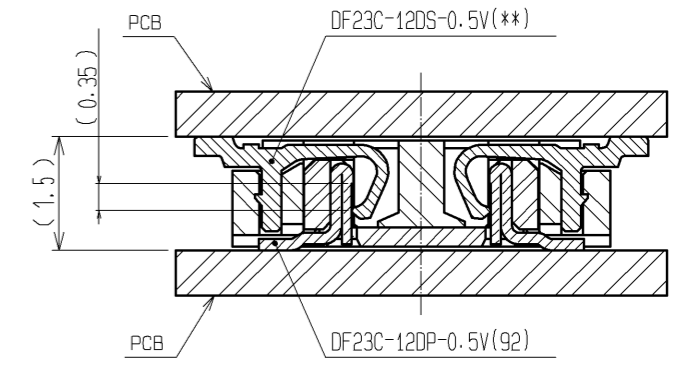


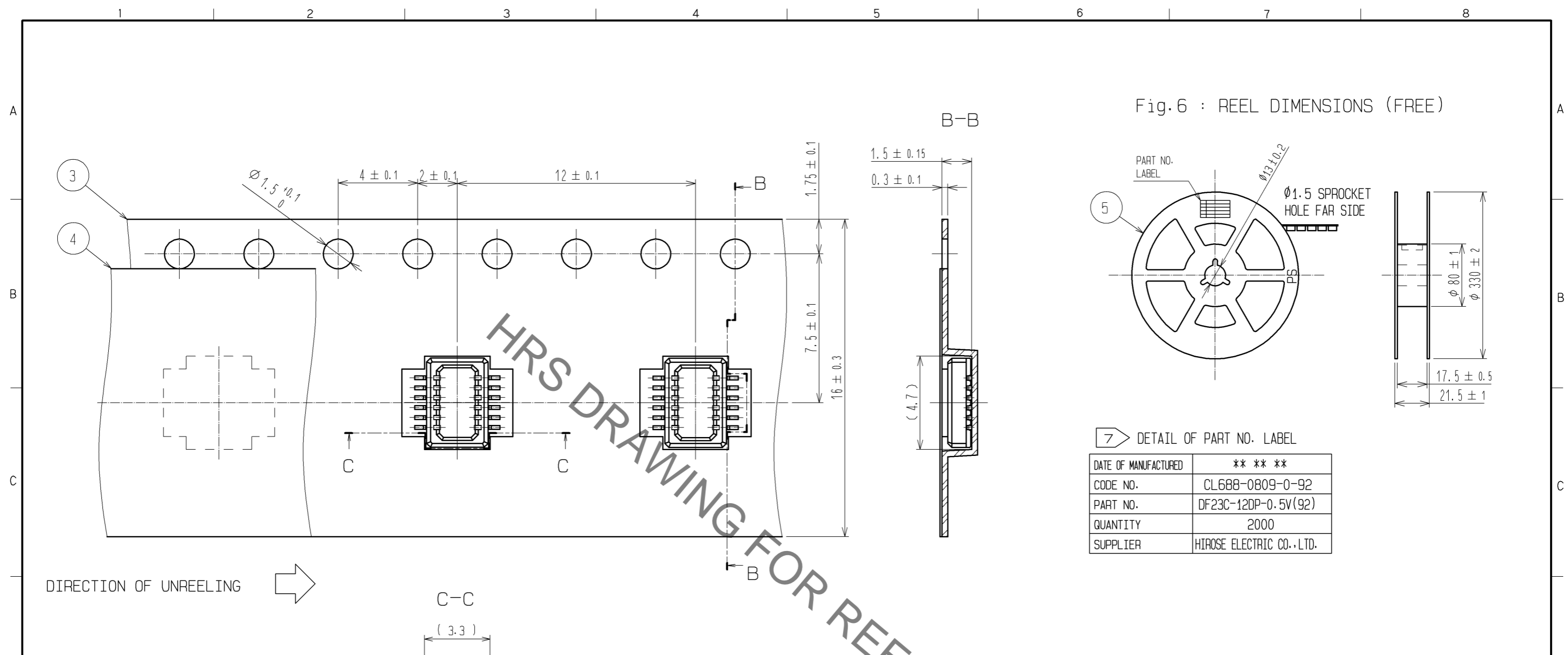
Fig.4 : MATING VIEW



NOTES 1 LEAD CO-PLANARITY SHALL BE 0.1mm MAX.
 ② REFER TO Fig.1
 ③ WHEN A PART MARKED WITH HAS A PATTERN BUT NO RESIST ON IT, TAKE CARE TO PREVENT THE CONNECTOR FROM TOUCHING IT.

2	PHOSPHOR BRONZE	②	5	PS	BLACK(PLASTIC REEL)
1	LCP	BLACK, UL94V-0	4	POLYESTER	CLEAR(COVER TAPE)
			3	PS	CLEAR(EMBOSSED CARRIER TAPE)
NO.	MATERIAL	FINISH, REMARKS	NO.	MATERIAL	FINISH, REMARKS
UNITS mm		SCALE 10:1	COUNT △	DESCRIPTION OF REVISIONS	
DESIGNED		CHECKED		DATE	
APPROVED : KH. IKEDA		09.05.20		DRAWING NO. EDC3-302689-04	
CHECKED : TS. MIYAZAKI		09.05.19		PART NO. DF23C-12DP-0.5V(92)	
DESIGNED : TR. YUNOKI		09.05.19		CODE NO. CL688-0809-0-92	
DRAWN : TR. YUNOKI		09.05.19		△ 1/2	

Aug.1.2019 Copyright 2019 HIROSE ELECTRIC CO., LTD. All Rights Reserved.
In case of consideration for using Automotive equipment / device which demand high reliability, kindly contact our sales window correspondents.



7 DETAIL OF PART NO. LABEL

DATE OF MANUFACTURED	** ** *
CODE NO.	CL688-0809-0-92
PART NO.	DF23C-12DP-0.5V(92)
QUANTITY	2000
SUPPLIER	HIROSE ELECTRIC CO.,LTD.

DIRECTION OF UNREELING →

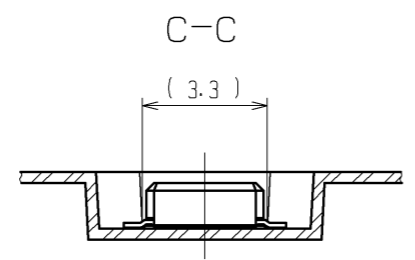
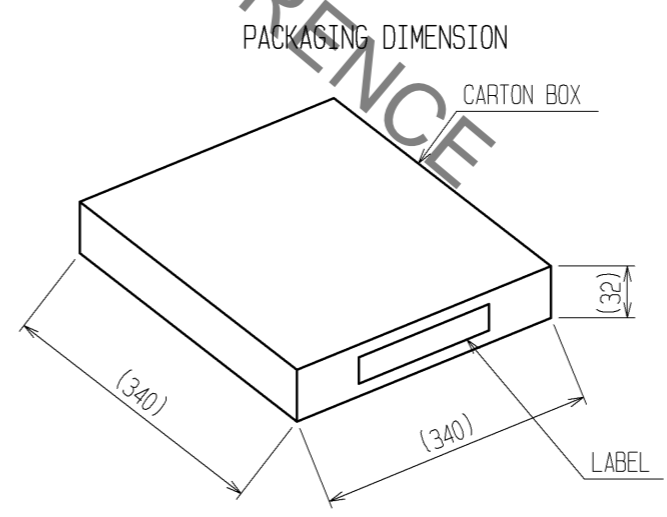
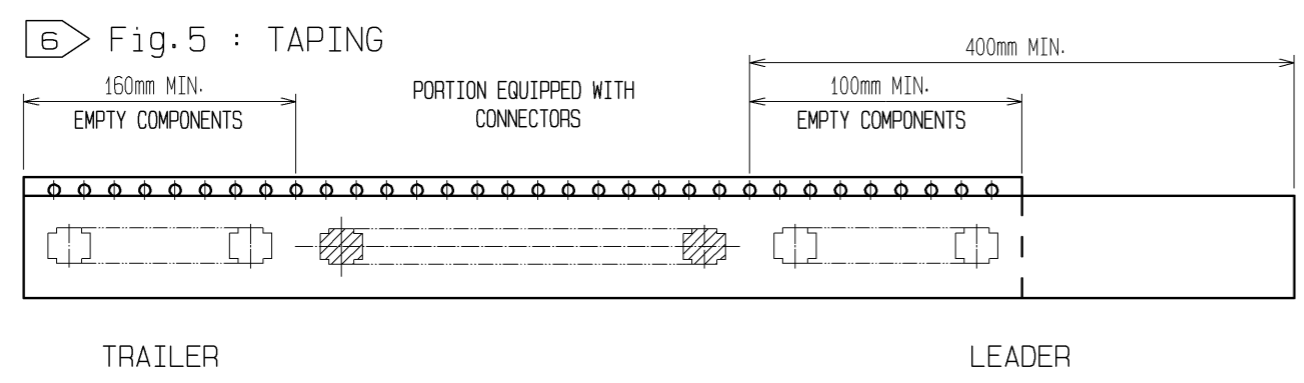


Fig.7 : PACKAGING SPECIFICATION (FREE)



DETAIL OF LABEL

CODE NO.	688-0809-0-92	NUMBER OF REELS PER BOX	1RL
品名	688-0809-0-92	数量	1RL
PART NO.	DF23C-12DP-0.5V(92)	QTY	2000 個
PART NO.		NUMBER OF PRODUCTS PER REEL	

- NOTES
- 4 PER REEL 2000 CONNECTORS
 - 5 THE DIMENSIONS IN PARENTHESES ARE FOR REFERENCE
 - 6 REFER TO JIS C 0806 (PACKAGING OF COMPONENTS FOR AUTOMATIC HANDLING)
 - 7 DETAIL OF PART NO. LABEL IS WRITTEN IN JAPANESE.

HRS	DRAWING NO.	EDC3-302689-04
	PART NO.	DF23C-12DP-0.5V(92)
	CODE NO.	CL688-0809-0-92
		△ 2/2