

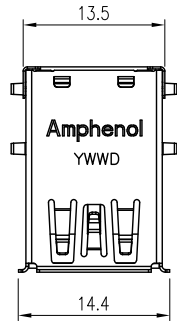
This document is the property of Amphenol Corporation and is delivered on the express condition that is not to be disclosed, reproduced or used, in whole or in part, for manufacture or sale by anyone other than Amphenol Corporation without its prior consent, and that no right is granted to disclose or to use any information in this document.

The marking on this product doesn't contain environmental hazardous materials per directive 2011/65/EU & 2015/863/EU for RoHS compliant and per IEC 61249-2-21 for Halogen-Free compliant.

# FOR REFERENCE ONLY



REVISIONS				
SYM	ECN No.	DESCRIPTION	DATE	BY
A	NE-14119	RELEASE TO PRODUCTION	06/20/2014	Sondra Sang
B	NE-14133	MODIFIED TAIL LENGTH	07/10/2014	Sondra Sang
C	NE-17165	CANCELED UL94H-B IN NOTE 1 UPDATE DRAWING AND PACKING	06/29/2017 2021-07-13	Sondra Sang



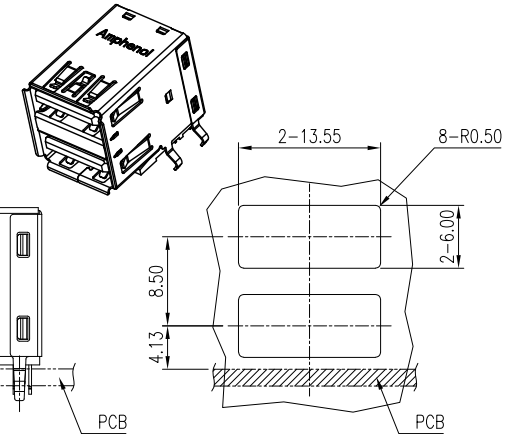
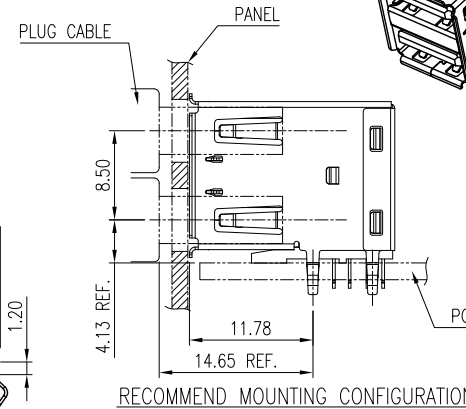
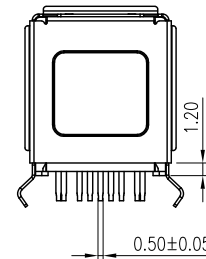
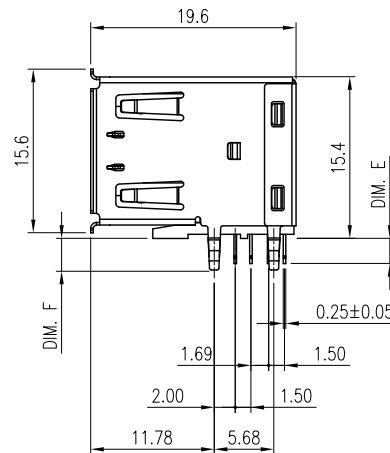
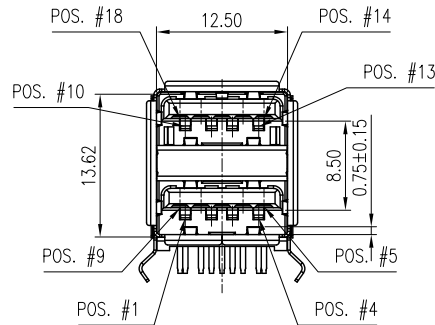
PART NUMBER:  
GSB4 112 X X X HR

CONTACT FINISH  
3: 30μ" GOLD

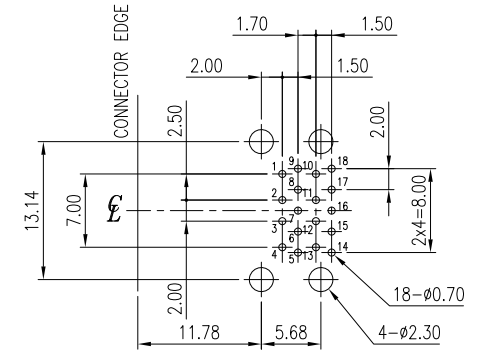
SOLDER TAIL LENGTH / PACKING

PART NO	DIM. E	DIM. F
"2"	2.4	3.0
"3"	3.0	3.5

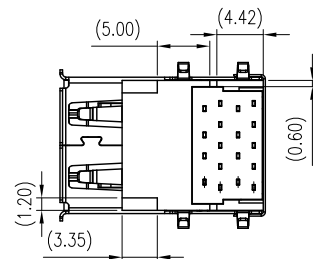
INSULATOR AND COLOR  
1: LCP, Blue  
3: LCP, Black



PIN #	PIN #	SIGNAL NAME
1	10	VBUS
2	11	D-
3	12	D+
4	13	GND
5	14	SSRX-
6	15	SSRX+
7	16	GND_DRAIN
8	17	SSTX-
9	18	SSTX+
SHELL		SHIELD



- NOTES:
- HOUSING: HIGH TEMPERATURE THERMOPLASTIC, UL 94V-0, COLOR- BLUE (PANTONE 300C) OR BLACK
  - BOTTOM COVER: HIGH TEMPERATURE THERMOPLASTIC, UL 94V-0, COLOR- BLUE (PANTONE 300C) OR BLACK
  - CONTACT: COPPER ALLOY, 0.25mm THICKNESS, 30μ" MIN. GOLD PLATED ON CONTACT AREA, 120μ" MIN. MATTE TIN PLATED ON SOLDERING TAIL, 80μ" MIN. NICKEL UNDER-PLATED OVERALL
  - FRONT SHELL: STAINLESS STEEL, 0.25mm THICKNESS, 30μ" MIN. NICKEL PLATED OVER ALL
  - MIDDLE SHELL: STAINLESS STEEL, 0.25mm THICKNESS,
  - REAR SHELL: STAINLESS STEEL, 0.2mm THICKNESS,
  - PRODUCT SPECIFICATION SHALL FOLLOW PS-7530 (>30u" GOLD)  
PRODUCT SPECIFICATION SHALL FOLLOW PS-7539 (<30u" GOLD)
  - THIS PRODUCT DOESN'T CONTAIN ENVIRONMENTAL HAZARDOUS PER DIRECTIVE 2011/65/EU & 2015/863/EU FOR RoHS COMPLIANT. AND PER IEC 61249-2-21 FOR HALOGEN-FREE COMPLIANT.

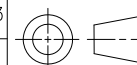


PIN ASSIGNMENT

TOLERANCE	APPROVALS	DATE	TITLE	UNIT	SIZE	PART No.
X. X.X ±0.30 X.XX ±0.20 X.XXX ±0.10	DRAWN Debby Hung	2021-07-13	USB 3.1 CONNECTOR STANDARD A, STACKED, R/A DIP TYPE	mm	A3	GSB4112XXXHR
ANGULAR ±1°	CHECKED Sandy Wu	2021-07-13		SCALE NA	SHEET 1 OF 2	
UNLESS OTHERWISE SPECIFIED	APPROVED Roger Tsai	2021-07-13	DWG No. GSB4112XXXHR	REV.		
	DWG TYPE CUST DWG	PROJECT CODE OTHER				

## Amphenol®

Amphenol Corporation  
Amphenol Taiwan Corporation



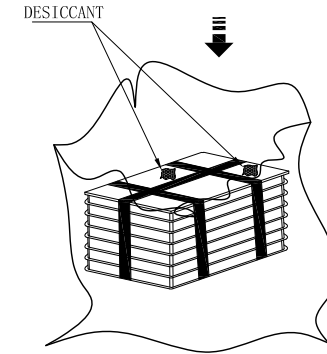
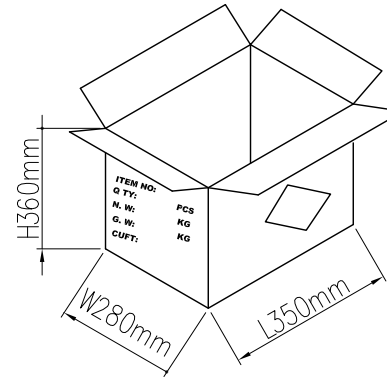
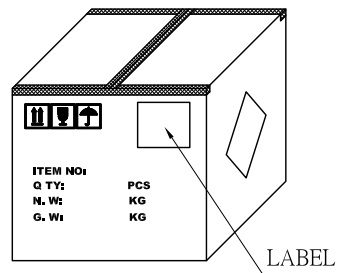
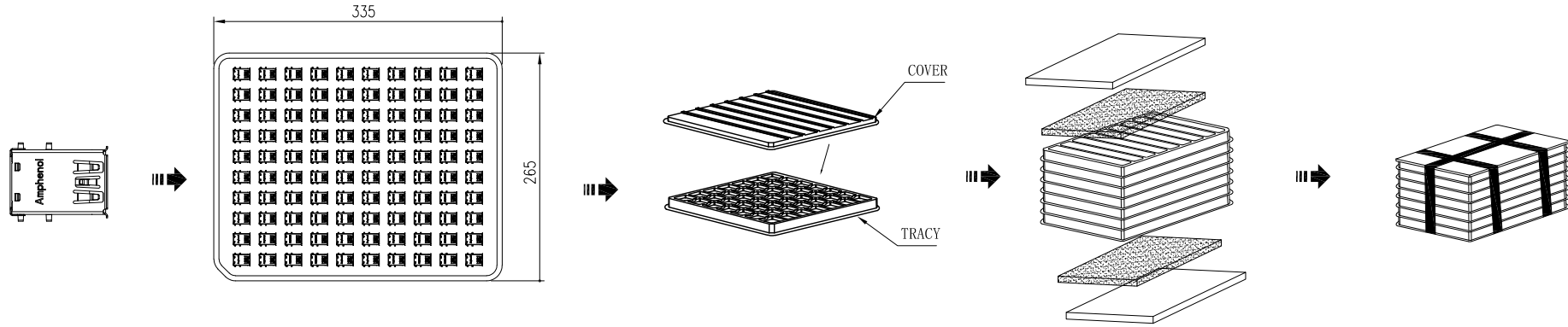
This document is the property of Amphenol Corporation and is delivered on the express condition that is not to be disclosed, reproduced or used, in whole or in part, for manufacture or sale by anyone other than Amphenol Corporation without its prior consent, and that no right is granted to disclose or to use any information in this document.

The marking on this product doesn't contain environmental hazardous materials per directive 2011/65/EU & 2015/863/EU for RoHS compliant and per IEC 61249-2-21 for Halogen-Free compliant.

# FOR REFERENCE ONLY



REVISIONS				
SYM	ECN No.	DESCRIPTION	DATE	BY
A	NE-14119	RELEASE TO PRODUCTION	06/20/2014	Sondra Sang
B	NE-14133	MODIFIED TAIL LENGTH	07/10/2014	Sondra Sang
C	NE-17165	CANCELED UL94H-B IN NOTE 1 UPDATE DRAWING AND PACKING	06/29/2017 2021-07-13	Sondra Sang



PACKAGING BY TRAY	11.96	8.92	100	15	1500	GSB4112XXXHR
	G/W KG	N/W KG	PCS/TRAY	TRAYS/BOX	QUANTITY (PCS)	PART NUMBER

TOLERANCE	APPROVALS	DATE	TITLE	UNIT	SIZE	PART No.
X. X.X ±0.30 X.XX ±0.20 X.XXX ±0.10	DRAWN Debby Hung CHECKED Sandy Wu	2021-07-13 2021-07-13	USB 3.1 CONNECTOR STANDARD A, STACKED, R/A DIP TYPE	mm	A3	GSB4112XXXHR
ANGULAR ±1°	APPROVED Roger Tsai	2021-07-13		SCALE NA	SHEET 2 OF 2	
UNLESS OTHERWISE SPECIFIED	DWG TYPE CUST DWG	PROJECT CODE OTHER				GSB4112XXXHR

## Amphenol®

Amphenol Corporation  
Amphenol Taiwan Corporation

PART No. GSB4112XXXHR

DWG No. GSB4112XXXHR

REV.