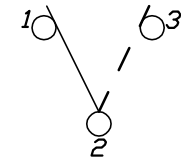
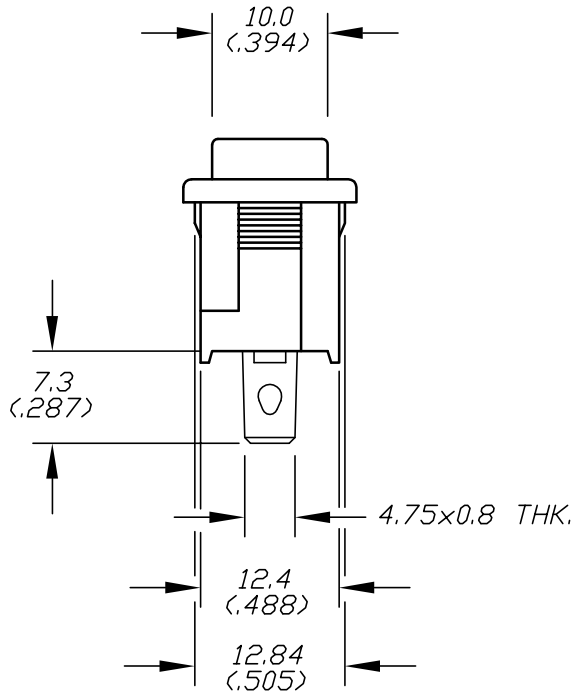
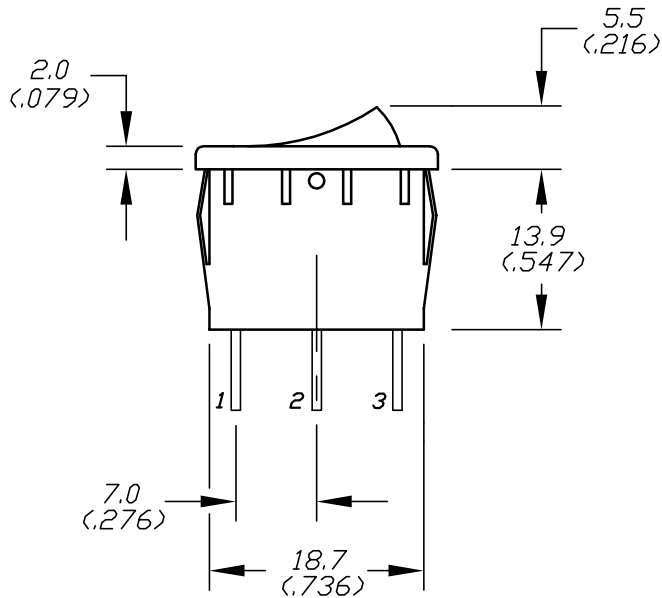


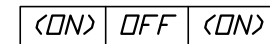
RECOMMEND PANEL MOUNTING

PANEL THICKNESS	X
0.75-1.25 (.030-.049)	19.2 (.756)
1.25-2.0 (.049-.079)	19.4 (.764)
2.0-3.0 (.079-.118)	19.8 (.780)



CIRCUIT: SPDT

CONTACT CONFIGURATION



()=Momentary

NOTES:

1. ALL DIMENSIONS IN MM (INCHES)
2. TERM. NOS. FOR REF ONLY
3. RATING: 15A 125V, 6A 250VAC.

<p style="text-align: center;">E-SWITCH®</p>				
				TITLE
R1966IGGEF				
SCALE	DATE	DR	DWG	REV
1.5:1	3/10/97	MM	M304202	A

REV.	DESCRIPTION	DATE	CHKD
A	RELEASED FOR PRODUCTION		

THE INFORMATION CONTAINED IN THIS DOCUMENT IS PROPRIETARY TO E-SWITCH AND IS NOT TO BE COPIED OR TRANSFERRED