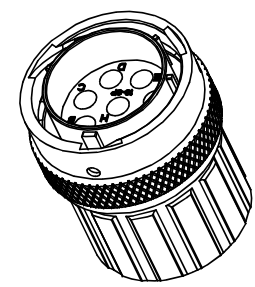
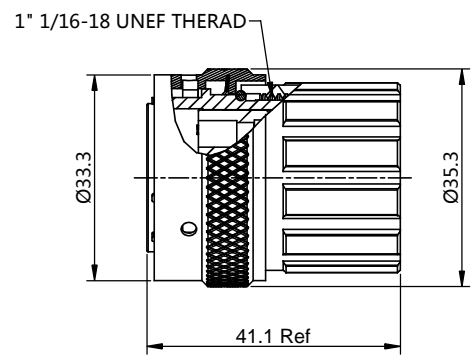
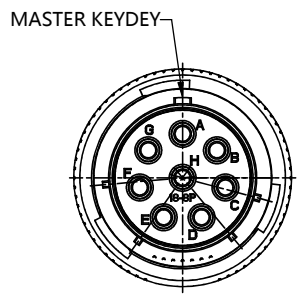


REVISIONS					
REV	ECO	DESCRIPTION	DATE	BY	APPR
B1	-	RELEASED DRAWING	JULY-07-2014	BEN	TOMMY



NOTES : (UNLESS OTHERWISE SPECIFIED)

- MATERIAL :**
 SHELL : ZINC ALLOY , NICKEL PLATED.
 INSERT : THERMOPLASTIC , UL94 V-0.
 COUPLING NUT : AL ALLOY, NICKEL PLATED.
 END CAP : THERMOPLASTIC , UL94 V-0.
 PLASTIC BUSHING : THERMOPLASTIC , UL94 V-0.
 O-RING : NBR.
 WIRE SEAL : SILICONE RUBBER.
- SPECIFICATIONS :**
 2.1 RATED CURRENT : 23A (MAX).
 2.2 RATED VOLTAGE : 375V (AC/DC) .
 2.3 OPERATING TEMPERATURE : -40°C ~ +105°C.
 2.4 DIELECTRIC WITHSTANDING VOLTAGE : LESS THAN
 2 MILLIAMPS CURRENT LEAKAGE@2000 VOLTS AC.
 2.5 INSULATION RESISTANCE : 5000 MEGOHMS MIN.
 2.6 IP--CLASS : IP67.
 2.7 MATING CYCLES DURABILITY : 500 CYCLES MIN.
 2.8 ROHS COMPLIANT.
- SUITABLE CONTACTS : 2.5mm CONTACTS.**
- ALL DIMENSIONS ARE FOR REFERENCE USE ONLY.**
- CONTACT SIZE AND REAR SEAL WIRE RANGE :**

CONTACT SIZE	MIN. INSUL O.D.	MAX. INSUL O.D.	WIRE RANGE
2.5mm	Ø3.3mm	Ø4.3mm	14-12AWG

KEY POS	PART NUMBER
N	RT06188PNHEC
W	RT06188PWHEC
X	RT06188PXHEC
Y	RT06188PYHEC
Z	RT06188PZHEC

QUANTITY	SEE PART NUMBER CHART	DESCRIPTION	ITEM

MATERIALS LIST			
UNLESS OTHERWISE SPECIFIED 1) All dimensions are in metric(mm). 2) Tolerances are as follows: 1 PL DEC ±0.30 Fractions ±1/64 2 PL DEC ±0.15 Angles ±1° 3 PL DEC ±0.08 3) Note reference =	SIGNATURES	DATE	 Sine Systems - www.amphenol-sine.com 44724 Morley Drive Clinton Township, MI 48036
	DRAWN: BEN	JULY-07-2014	
	CHECKED:		
	ENGINEER:		
MATERIAL SPECIFICATIONS:	APPROVAL:		
PROCESS SPECIFICATIONS:	CUSTOMER:		
NEXT ASSY:	THIS DRAWING IS SUPPLIED FOR INFORMATION ONLY. DESIGN FEATURES, SPECIFICATIONS AND PERFORMANCE DATA SHOWN HEREON ARE THE PROPERTY OF THE AMPHENOL CORPORATION. NO RIGHTS OF REPRODUCTION ARE IMPLIED. ALL DIMENSIONS ARE SUBJECT TO NORMAL MANUFACTURING VARIATIONS.		SIZE: B C- SCALE: NONE DWG NO: RT06188P*HEC REVISION: B1 SHEET 1 OF 1

TITLE: ECO-MATE, PLUS SIZE 18,8POS,PIN,END,CAP. DWG NO.: RT06188P*HEC REV: B1 SH: 1 OF: 1

ecomate® RM/RSSM/Aquarius™ - Contact Size 12 Options

Crimp Contacts, Machined				
Part Number		AWG	Wire Range (mm ²)	Plating
Male	Female			
N/A				

Tooling, Machined	
Part Number	Description
N/A	N/A
N/A	N/A

Plating Options, All	
Symbol	Plating
N/A	N/A

Crimp Contacts, Stamped & Formed				
Part Number		AWG	Wire Range (mm ²)	Plating
Male	Female			
SP12A1T	SS12A1T	14-12	2.5-3.5	Tin

Tooling, Stamped & Formed	
Part Number	Description
QXRT12S	Contact Extraction Tool, 2.5mm Contact
MFX-3962	Hand Tool, Stamped & Formed Contact, 2.5mm Contact

Misc Tooling, All	
Part Number	Description
CA-4012-59	Sealing Plug, Size 12

Standard Quantity Order Options	
Machined	Stamped & Formed
N/A	Reel, 1000 Pieces