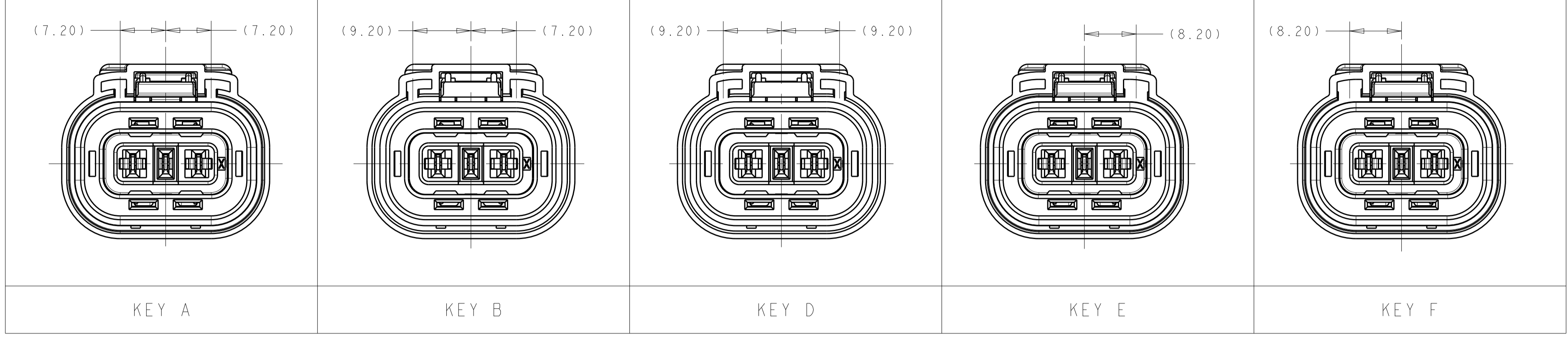
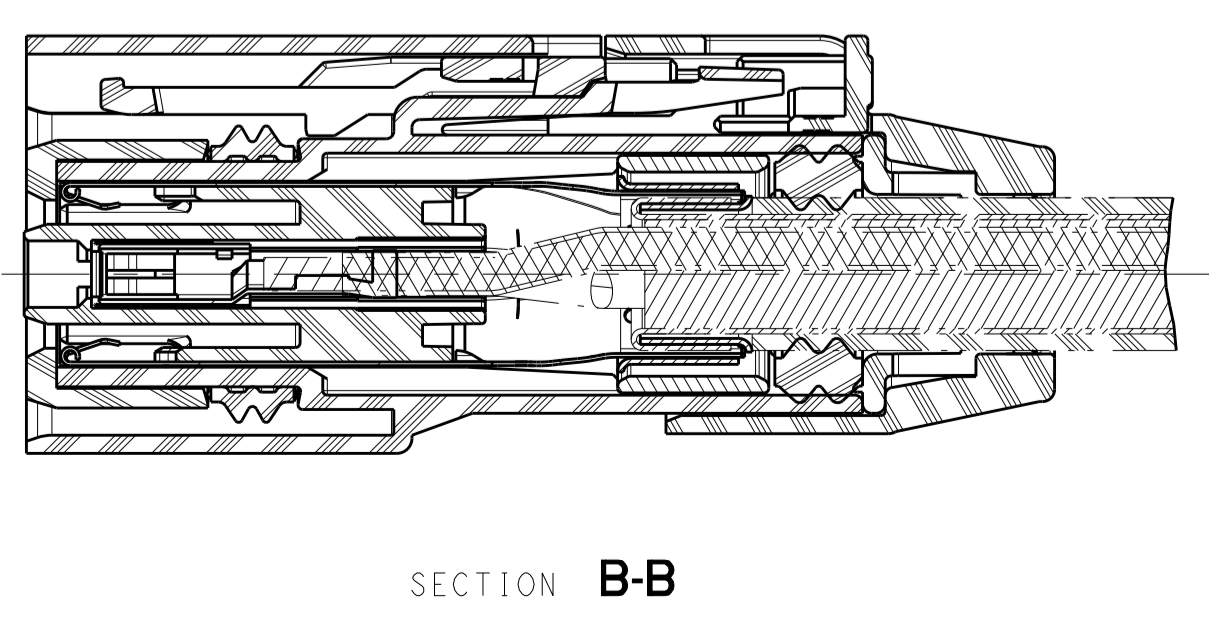
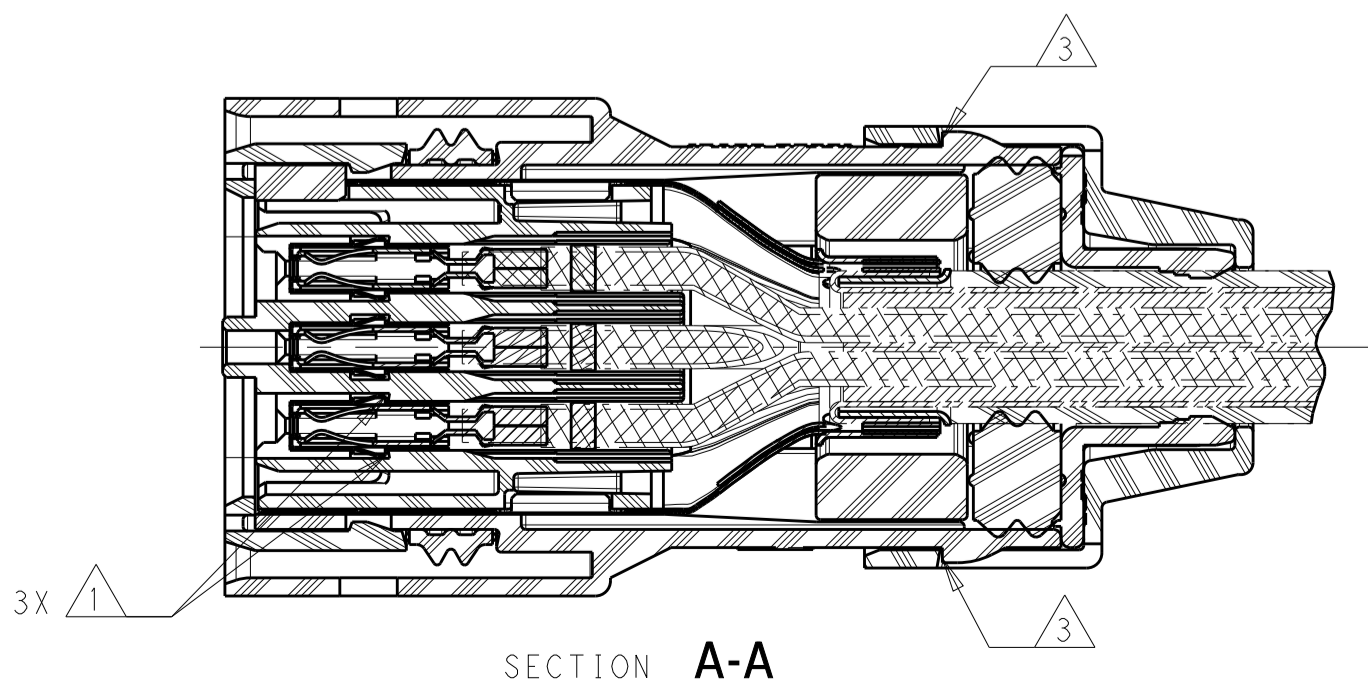
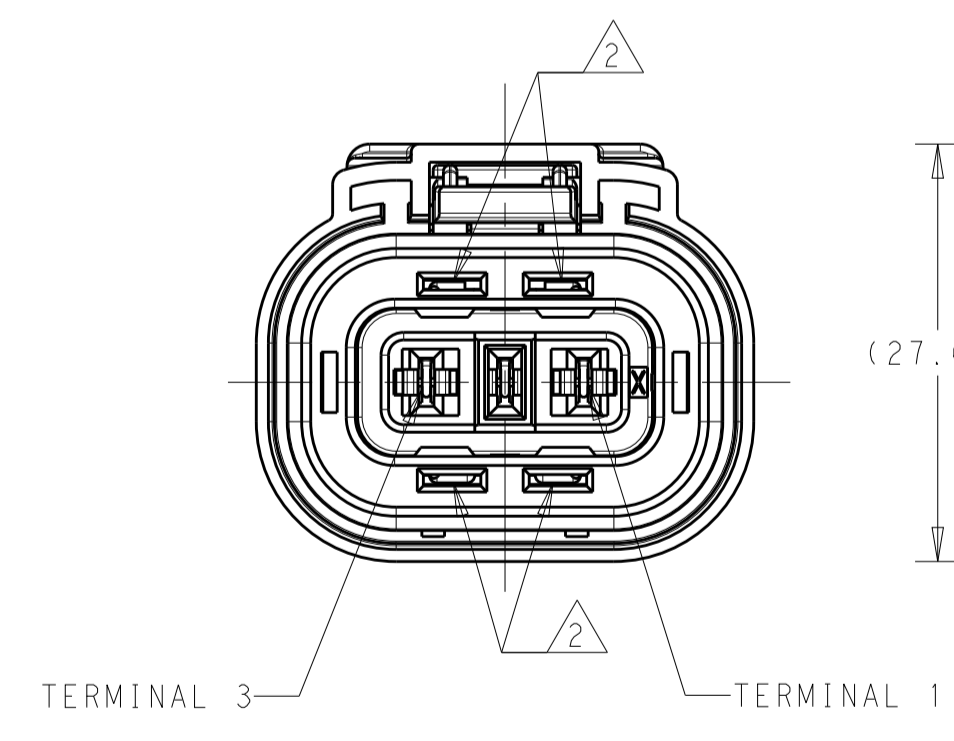
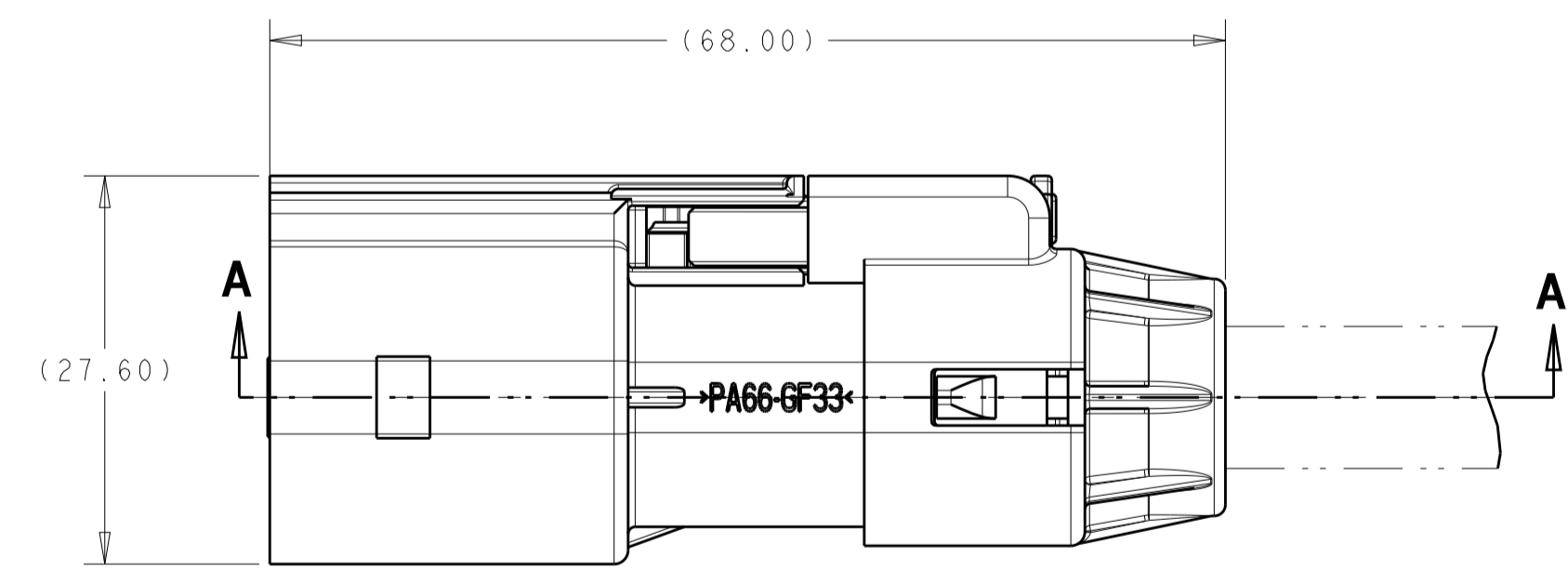
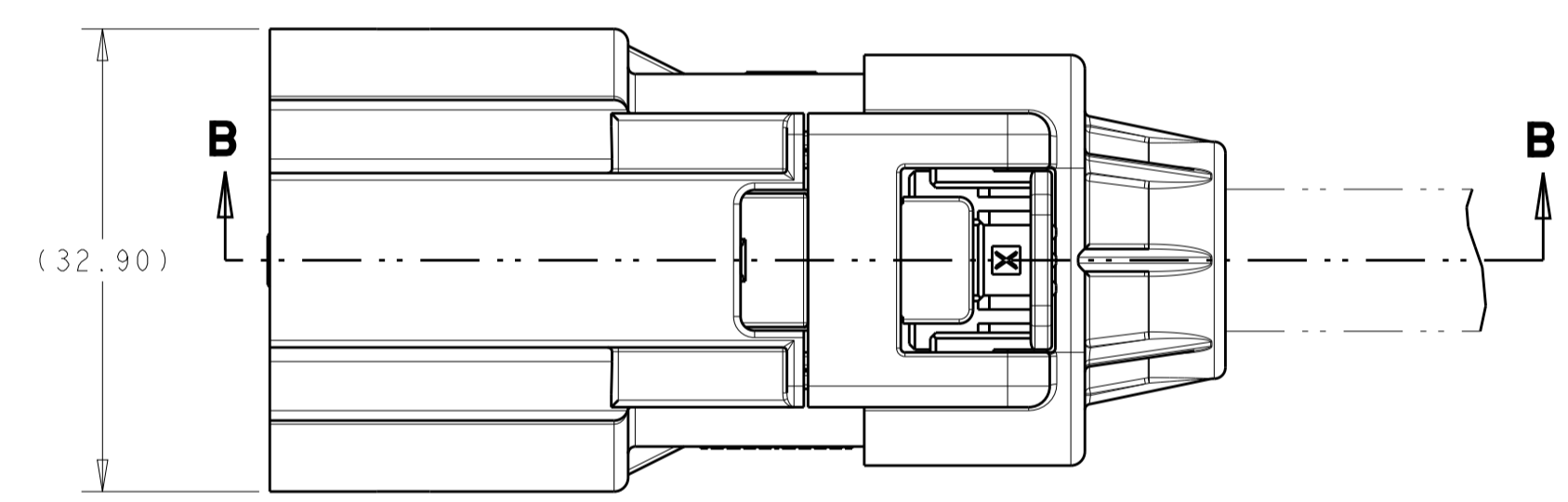
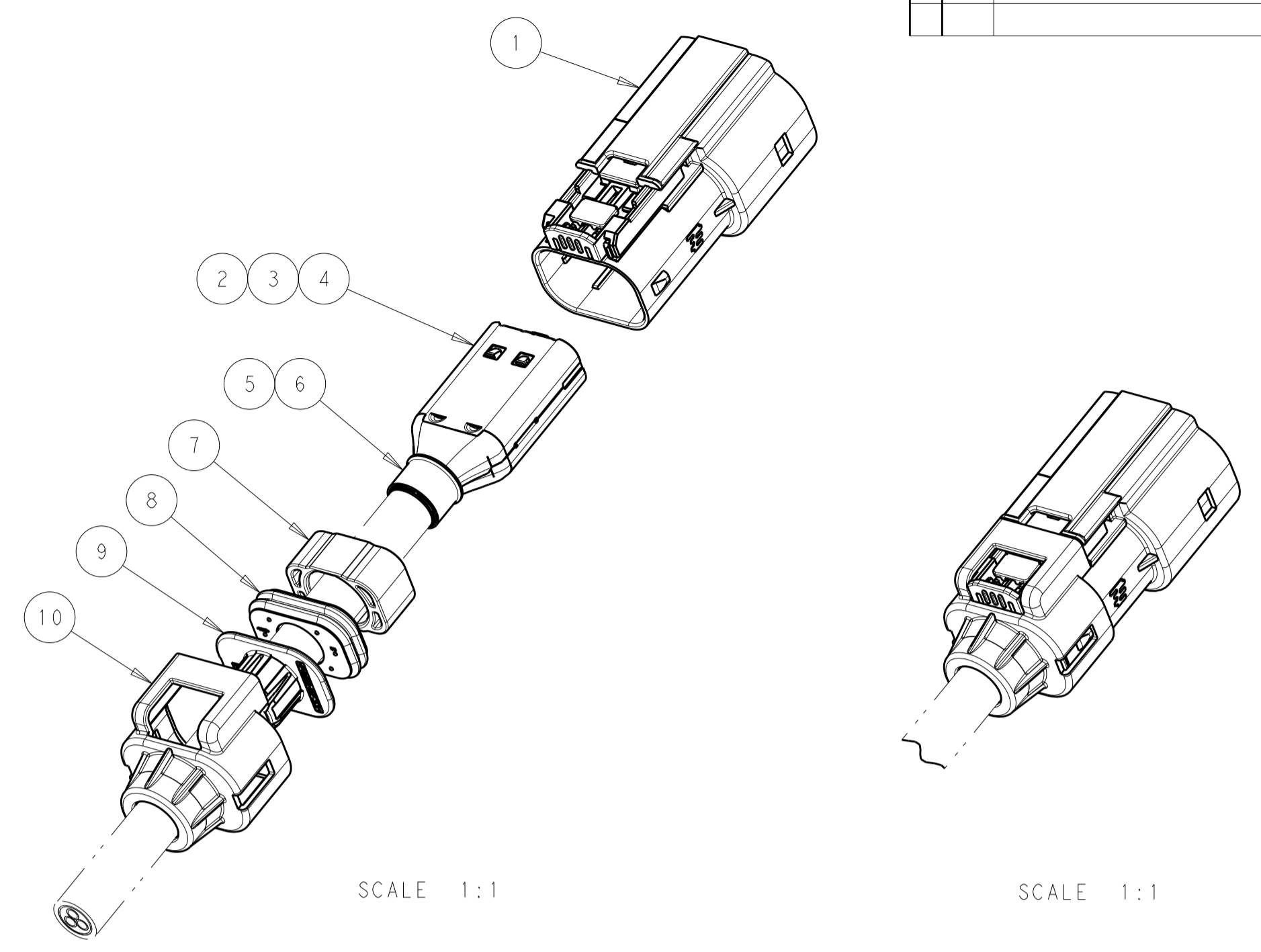


LOC		DIST		REVISIONS			
P	LTN	DESCRIPTION	DATE	DWN	APVD		
A		ECO-13-016420	21OCT2013	DR	DR		
A1		ECO-13-016793	25OCT2013	DR	DR		



- 1 ALL TERMINALS MUST BE FULLY SEATED AND LOCKED IN POSITION TWO PLACES PER TERMINAL
- 2 INNER HOUSING MUST BE FULLY LOCKED 4 PLACES
- 3 CABLE SEAL RETAINER MUST BE FULLY LOCKED 2 PLACES
- 4 PARTS ARE NOT AVAILABLE BY THESE NUMBERS FULLY ASSEMBLED AS SHOWN. FINAL ASSEMBLY REQUIRES INDIVIDUAL COMPONENTS OR SUB-ASSEMBLIES LISTED IN THE PARTS LIST AND AVAILABLE SEPARATELY FROM TE. CONSULT INDIVIDUAL CUSTOMER DRAWINGS FOR PART RELEASE STATUS.
- 5. NOTE DELETED.
- 6. MATES WITH Ag SHIELD HEADERS SHOWN ON TE DRAWING 2103320
- 7 VALIDATED CABLE / SUBCOMPONENT COMBINATION



QTY	UNIT	DESCRIPTION	ITEM	
1	1	SEAL RETAINER, CABLE, SIZE 2	10	
1	1	COLLET, SIZE 2	9	
1	1	SEAL, CABLE, SIZE 2	8	
1	1	SPACER	7	
1	1	FERRULE, OUTER, SIZE B	6	
1	1	FERRULE, INNER, SIZE B	5	
2	2	SHIELD, PLUG, Ag, SIZE 2	4	
3	3	MCP 2.8 TERMINAL FEMALE, Ag, >1.0-2.5mm <sup>2</sup>	3	
1	1	INNER HOUSING	2	
1	—	PLUG SUBASSY, KEY F, FINGER LATCH, WITH CPA	1	
—	1	PLUG SUBASSY, KEY E, FINGER LATCH, WITH CPA	1	
—	—	1	PLUG SUBASSY, KEY D, FINGER LATCH, WITH CPA	1
—	—	1	PLUG SUBASSY, KEY B, FINGER LATCH, WITH CPA	1
—	—	1	PLUG SUBASSY, KEY A, FINGER LATCH, WITH CPA	1

F	E	D	B	A	ASSEMBLY INDEX	DESCRIPTION	ITEM
2103309-6	—	—	—	—	4	PLUG SUBASSY, KEY F, FINGER LATCH, WITH CPA	1
2103309-5	—	—	—	—	4	PLUG SUBASSY, KEY E, FINGER LATCH, WITH CPA	1
2103309-4	—	—	—	—	4	PLUG SUBASSY, KEY D, FINGER LATCH, WITH CPA	1
2103309-2	—	—	—	—	4	PLUG SUBASSY, KEY B, FINGER LATCH, WITH CPA	1
2103309-1	—	—	—	—	4	PLUG SUBASSY, KEY A, FINGER LATCH, WITH CPA	1

REFERENCE NUMBER 4  
 THESE NUMBERS ARE FOR REFERENCE PURPOSE ONLY AND ARE NOT FOR SALE

DIMENSIONS:		TOLERANCES UNLESS OTHERWISE SPECIFIED:		DWN D. RHEIN 15JAN2013		CHK D. RHEIN 28JAN2013		APVD A. GUANCO 28JAN2013		NAME	
mm	PLC	±0.50	±0.25	PRODUCT SPEC	PLUG ASSEMBLY HVA280-3PXM-XE REFERENCE DRAWING						
	2 PLC	±0.25	±0.15	APPLICATION SPEC	SIZE CAGE CODE DRAWING NO RESTRICTED TO						
	3 PLC	±0.15	±0.10	114-32056	A100779C=2103309						
	4 PLC	±0.10	±0.05	WEIGHT	Customer Drawing						
	ANGLES	±1*		SCALE	2:1 SHEET 1 OF 1 REV A1						