

注) NOTES 1. 材質 MATERIAL
 ハウジング : ガラス入りPPS、茶色、UL94V-0
 HOUSING:G.F.PPS,BROWN,UL94V-0
 ターミナル : 銅合金 (t=0.2)
 TERMINAL:COPPER ALLOY

| | |
|--------------------------|--------------------------|
| 7 mm | 52760-***70 |
| 基板間寸法 STACKING HEIGHT | 嵌合相手 TO BE MATED WITH |

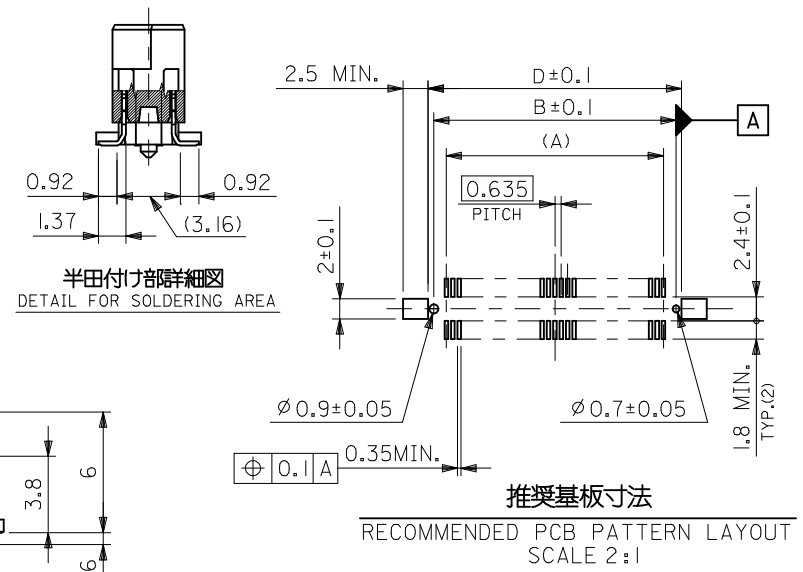
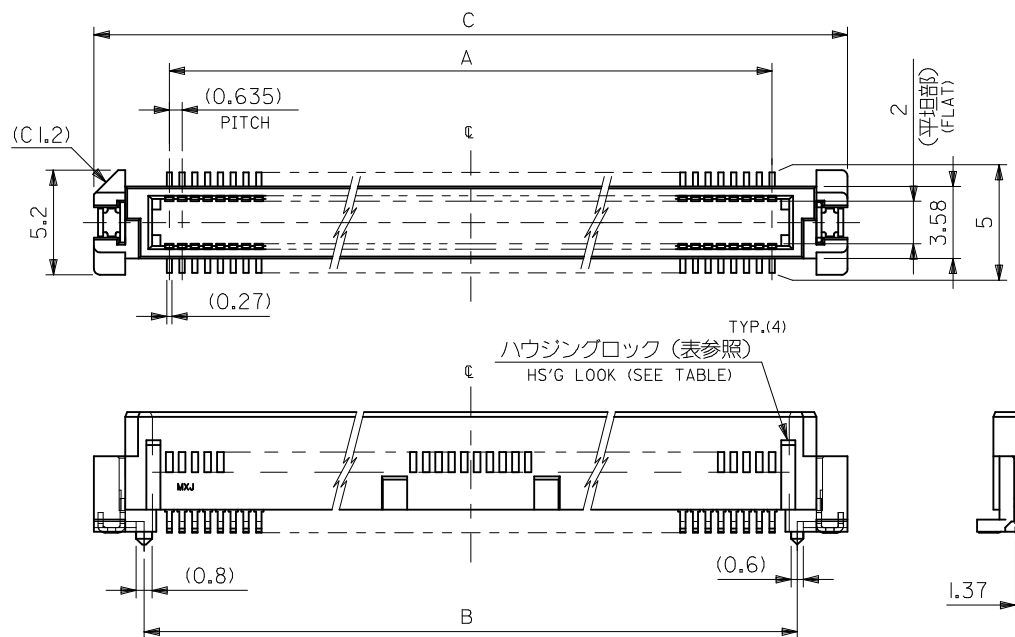
2. メッキ仕様 PLATING
 接点部 : 金メッキ 0.25μm MIN.
 CONTACT AREA:GOLD 0.25μm MIN.
 半田付け部 : 錫メッキ 1.0μm MIN.
 SOLDER TAIL AREA:TIN 1.0μm MIN.
 下地メッキ : ニッケルメッキ 1.5μm MIN.
 UNDER-PLATING:NICKEL 1.5μm MIN.

3. テールのバラツキ寸法 TAIL COPLANARITY
 テール平坦度は0.IMAX.とする。
 TAIL COPLANARITY TO BE 0.1MAX.
 4. 本製品は53481-***7の鉛フリー製品です。
 THIS PRODUCT IS LEAD FREE OF 53481-***7.

| | | | | | | | | |
|----------------------|-------|-------|-------|--------|----------------------------|----------------------|----------------|-------------------|
| 無し NO | 79.17 | 83.07 | 78.07 | 75.565 | 53481-2479 | 53481-2477 | 240 | ○ |
| | 66.47 | 70.37 | 65.37 | 62.865 | -2079 | -2077 | 200 | ○ |
| | 60.12 | 64.02 | 59.02 | 56.515 | -1879 | -1877 | 180 | ○ |
| 有り YES | 53.77 | 57.67 | 52.67 | 50.165 | -1679 | -1677 | 160 | ○ |
| | 25.2 | 29.1 | 24.1 | 21.59 | -0779 | -0777 | 70 | ○ |
| | 9.32 | 13.22 | 8.22 | 5.715 | 53481-0279 | 53481-0277 | 20 | ○ |
| ハウジングロック HSG LOCK | D | C | B | A | スティック梱包 STICK PACKAGING | 製品番号 MATERIAL NO. | 極数 CKT. NO. | 量差対応 AVAILABLE |

| | | | | | |
|--|--|----------------------------|---|---|------------------------|
| REVISED EC NO: J2017-0575 DRW:KTOYODA 2012/01/31 CHKD:TASAKAWA 2012/02/02 APPR:MSASAO 2017/06/29 | GENERAL TOLERANCES (UNLESS SPECIFIED) | DIMENSION STYLE MM ONLY | SCALE 4:1 | DESIGN UNITS METRIC | THIRD ANGLE PROJECTION |
| | 0.25 UNDER ± | DRAWN BY J.KUGOU | DATE 2003/12/11 | TITLE 0.635 PITCH B-T0-B S/T PLUG HSG ASSY -LEAD FREE- | |
| | 0.25 OVER 0.5 UNDER ± | CHECKED BY M.SASAO | DATE | | |
| | 0.5 OVER 1.0 UNDER ± | APPROVED BY M.SASAO | DATE | | |
| | 0 OVER 10 UNDER ±0.2 | MATERIAL NO. | DOCUMENT NO. | SD-53481-003 | SHEET NO. 1 OF 1 |
| 10 OVER 30 UNDER ±0.25 | SEE CHART | | THIS DRAWING CONTAINS INFORMATION THAT IS PROPRIETARY TO MOLEX ELECTRONIC TECHNOLOGIES, LLC AND SHOULD NOT BE USED WITHOUT WRITTEN PERMISSION | | |
| 30 OVER ±0.3 | DRAFT WHERE APPLICABLE MUST REMAIN WITHIN DIMENSIONS | | SIZE A3 | | |

| | |
|-------------|--------------------|
| 材料 MATERIAL | 注) 参照 SEE NOTES |
| 仕上げ FINISH | 注) 参照 SEE NOTES |



注) NOTES 1. 材質 MATERIAL
 ハウジング : ガラス入りPPS、茶色、UL94V-0
 HOUSING:G.F.PPS,BROWN,UL94V-0
 ターミナル : 銅合金 (t=0.2)
 TERMINAL:COPPER ALLOY

2. メッキ仕様 PLATING
 接点部 : 金メッキ 0.25μm MIN.
 CONTACT AREA:GOLD 0.25μm MIN.
 半田付け部 : 錫メッキ 1.0μm MIN.
 SOLDER TAIL AREA:TIN 1.0μm MIN.
 下地メッキ : ニッケルメッキ 1.5μm MIN.
 UNDER-PLATING:NICKEL 1.5μm MIN.

3. テールのバラツキ寸法 TAIL COPLANARITY
 テール平坦度は0.1MAX.とする。
 TAIL COPLANARITY TO BE 0.1 MAX.
 4. 本製品は53481-****7の鉛フリー製品です。
 THIS PRODUCT IS LEAD FREE OF 53481-****7.

| | |
|--------------------------|--------------------------|
| 7 mm | 52760-***70 |
| 基板間寸法 STACKING HEIGHT | 嵌合相手 TO BE MATED WITH |

| | | | | | | | | |
|-----------------------|-------|-------|-------|--------|----------------------------|----------------------|----------------|-------------------|
| 無し NO | 79.17 | 83.07 | 78.07 | 75.565 | 53481-2479 | 53481-2477 | 240 | ○ |
| | 66.47 | 70.37 | 65.37 | 62.865 | -2079 | -2077 | 200 | ○ |
| | 60.12 | 64.02 | 59.02 | 56.515 | -1879 | -1877 | 180 | ○ |
| 有り YES | 53.77 | 57.67 | 52.67 | 50.165 | -1679 | -1677 | 160 | ○ |
| | 25.2 | 29.1 | 24.1 | 21.59 | -0779 | -0777 | 70 | ○ |
| | 9.32 | 13.22 | 8.22 | 5.715 | 53481-0279 | 53481-0277 | 20 | ○ |
| ハウジングロック HS'G LOCK | D | C | B | A | スティック梱包 STICK PACKAGING | 製品番号 MATERIAL NO. | 極数 CKT. NO. | 量差対応 AVAILABLE |

| | | | | | | | | | | | |
|--|-------------|--|--|---------------------|--|---|--|--------------|--|--|--|
| REVISED EC NO: J2017-0575 DRW:KTOYODA 2012/01/31 CHKD:TASAKAWA 2012/02/02 APPR:MSASAO 2017/06/29 | DESCRIPTION | GENERAL TOLERANCES (UNLESS SPECIFIED) | | DIMENSION STYLE | | SCALE | | DESIGN UNITS | | THIRD ANGLE PROJECTION | |
| | | | | MM ONLY | | 4:1 | | METRIC | | ⊙ □ | |
| | | 0.25 UNDER ± | | DRAWN BY J.KUGOU | | DATE 2003/12/11 | | TITLE | | 0.635 PITCH B-T0-B S/T PLUG HSG ASSY -LEAD FREE- | |
| | | 0.25 OVER 0.5 UNDER ± | | CHECKED BY M.SASAO | | DATE | | | | | |
| | | 0.5 OVER 1.0 UNDER ± | | APPROVED BY M.SASAO | | DATE | | DOCUMENT NO. | | SD-53481-003 | |
| 0 OVER 10 UNDER ±0.2 | | MATERIAL NO. | | SEE CHART | | | | | | | |
| 10 OVER 30 UNDER ±0.25 | | DRAFT WHERE APPLICABLE MUST REMAIN WITHIN DIMENSIONS | | SIZE A3 | | THIS DRAWING CONTAINS INFORMATION THAT IS PROPRIETARY TO MOLEX ELECTRONIC TECHNOLOGIES, LLC AND SHOULD NOT BE USED WITHOUT WRITTEN PERMISSION | | | | | |
| 30 OVER ±0.3 | | | | | | | | | | | |
| ANGULAR ±3 ° | | | | | | | | | | | |

| | |
|-------------|--------------------|
| 材料 MATERIAL | 注) 参照 SEE NOTES |
| 仕上げ FINISH | 注) 参照 SEE NOTES |

7

6

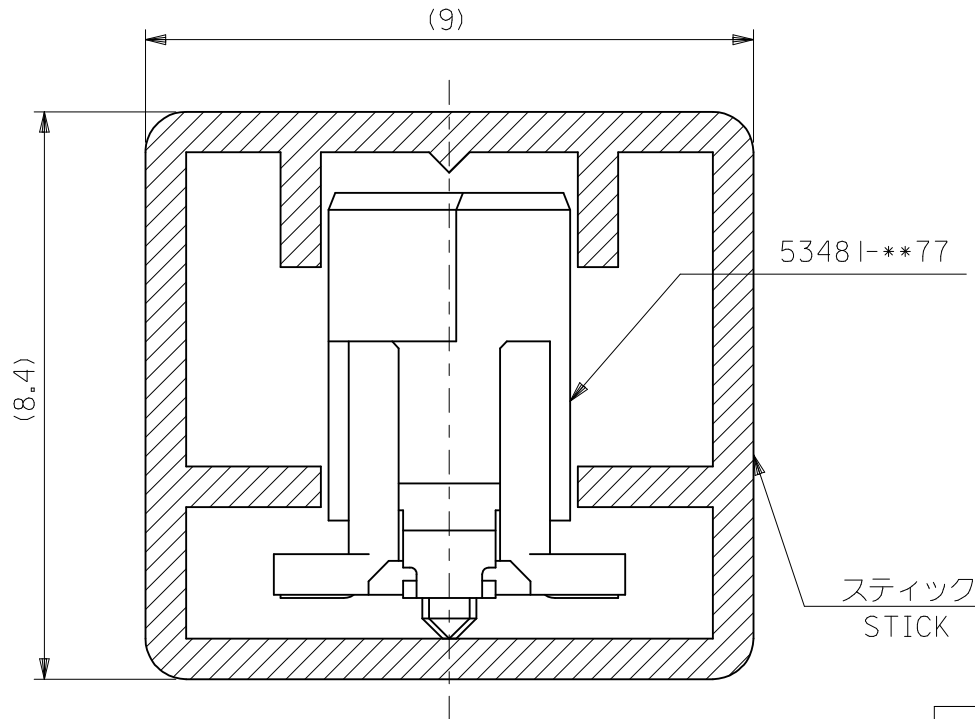
5

4

3

2

1



注)
NOTES.

1. スティック両端はキャップ止め。
BOTH ENDS WITH CAPS.
2. 全長： 600±2
TOTAL LENGTH
3. 肉厚：0.6±0.2
THICKNESS
4. 量産対応済の極数については、
SD-53481-***77を参照下さい。
SEE SD-53481-***77 FOR AVAIRABLE ITEMS.
5. 本製品は SD-53481-***9
の鉛フリー製品です。

| | | |
|-----------------|-------------|-------------------|
| 6 | 53481-2479 | 240 |
| 8 | ↑ -2079 | 200 |
| 8 | -1879 | 180 |
| 9 | ↓ -1679 | 160 |
| 19 | -0779 | 70 |
| 42 | 53481-0279 | 20 |
| 梱包数 QUANTITY | ENG. NUMBER | 極数 NO. OF CKT. |

材料
MATERIAL
スティック：ポリ塩化ビニル
STICK : P.V.C

| | | | | | | | | | | | |
|--|-------------|--|-----------------------|----------------------------|------------------------|---|------------------------|---------------------------|--|--------------------|---|
| REVISED EC NO: J2017-0575 DRWN:GES 2017/05/17 CHKD: APPR:MSASAO 2017/06/29 | DESCRIPTION | GENERAL TOLERANCES (UNLESS SPECIFIED) | | DIMENSION STYLE MM ONLY | | SCALE 10:1 | DESIGN UNITS METRIC | THIRD ANGLE PROJECTION | | | |
| | | 0.25 UNDER ± | 0.25 OVER 0.5 UNDER ± | 0.5 OVER 1.0 UNDER ± | 1.0 OVER 10 UNDER ±0.2 | 10 OVER 30 UNDER ±0.25 | 30 OVER ±0.3 | ANGULAR ±3 ° | DRAFT WHERE APPLICABLE MUST REMAIN WITHIN DIMENSIONS | SIZE A4 | THIS DRAWING CONTAINS INFORMATION THAT IS PROPRIETARY TO MOLEX ELECTRONIC TECHNOLOGIES, LLC AND SHOULD NOT BE USED WITHOUT WRITTEN PERMISSION |
| DRAWN BY J. KUGOU | | DATE 2003/12/11 | | CHECKED BY M. SASAO | | DATE 2003/12/11 | | APPROVED BY M. SASAO | | DATE 2003/12/11 | |
| MATERIAL NO. SEE CHART | | DOCUMENT NO. SD-53481-***79 | | SHEET NO. 1 OF 1 | | TITLE 53481-***5 STICK PACKAGING -LEAD FREE- molex | | | | | |

6

5

4

3

2

1

7

6

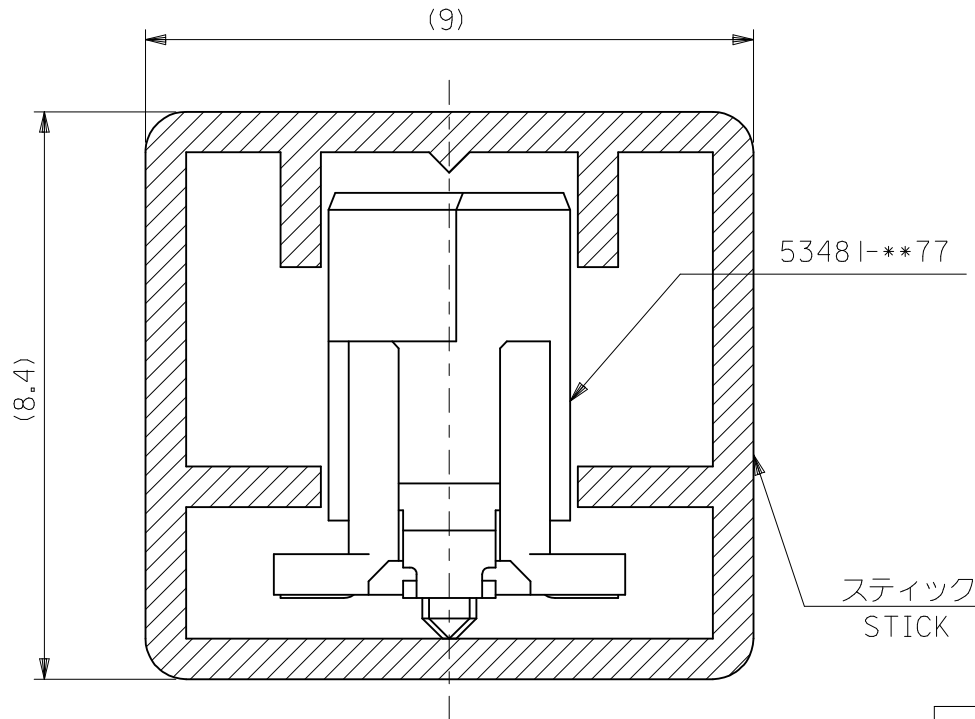
5

4

3

2

1



注)
NOTES.

1. スティック両端はキャップ止め。
BOTH ENDS WITH CAPS.
2. 全長： 600±2
TOTAL LENGTH
3. 肉厚：0.6±0.2
THICKNESS
4. 量産対応済の極数については、
SD-53481-***77を参照下さい。
SEE SD-53481-***77 FOR AVAIRABLE ITEMS.
5. 本製品は SD-53481-***9
の鉛フリー製品です。

| | | |
|-----------------|-------------|-------------------|
| 6 | 53481-2479 | 240 |
| 8 | ↑ -2079 | 200 |
| 8 | -1879 | 180 |
| 9 | ↓ -1679 | 160 |
| 19 | -0779 | 70 |
| 42 | 53481-0279 | 20 |
| 梱包数 QUANTITY | ENG. NUMBER | 極数 NO. OF CKT. |

材料
MATERIAL
スティック：ポリ塩化ビニル
STICK : P.V.C

| | | | | | | | | | |
|--|---|--|-----------------------|----------------------------|------------------------|---|------------------------|---------------------------|--|
| REVISED EC NO: J2017-0575 DRWN:GES CHKD: APPR:MSASAO | DESCRIPTION 2017/05/17 2017/06/29 | GENERAL TOLERANCES (UNLESS SPECIFIED) | | DIMENSION STYLE MM ONLY | | SCALE 10:1 | DESIGN UNITS METRIC | THIRD ANGLE PROJECTION | |
| | | 0.25 UNDER ± | 0.25 OVER 0.5 UNDER ± | 0.5 OVER 1.0 UNDER ± | 1.0 OVER 10 UNDER ±0.2 | 10 OVER 30 UNDER ±0.25 | 30 OVER ±0.3 | ANGULAR ±3 ° | DRAFT WHERE APPLICABLE MUST REMAIN WITHIN DIMENSIONS |
| DRAWN BY J. KUGOU | | | | DATE 2003/12/11 | | TITLE 53481-***5 STICK PACKAGING -LEAD FREE- | | | |
| CHECKED BY M. SASAO | | | | DATE 2003/12/11 | | DOCUMENT NO. SD-53481-***79 | | | |
| APPROVED BY M. SASAO | | | | DATE 2003/12/11 | | | | | |
| MATERIAL NO. | | | | SEE CHART | | SHEET NO. 1 OF 1 | | | |

6

5

4

3

2

1