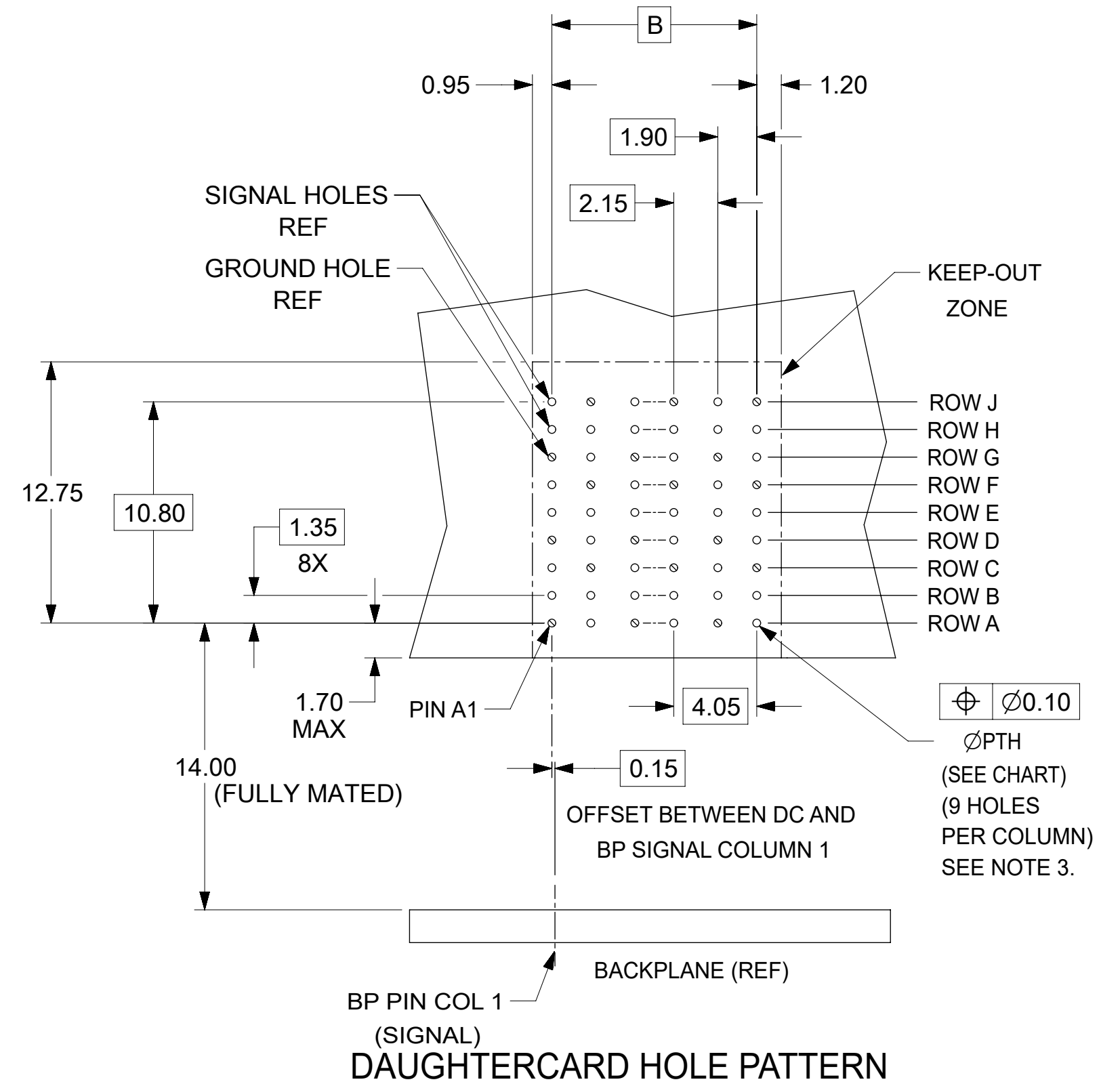
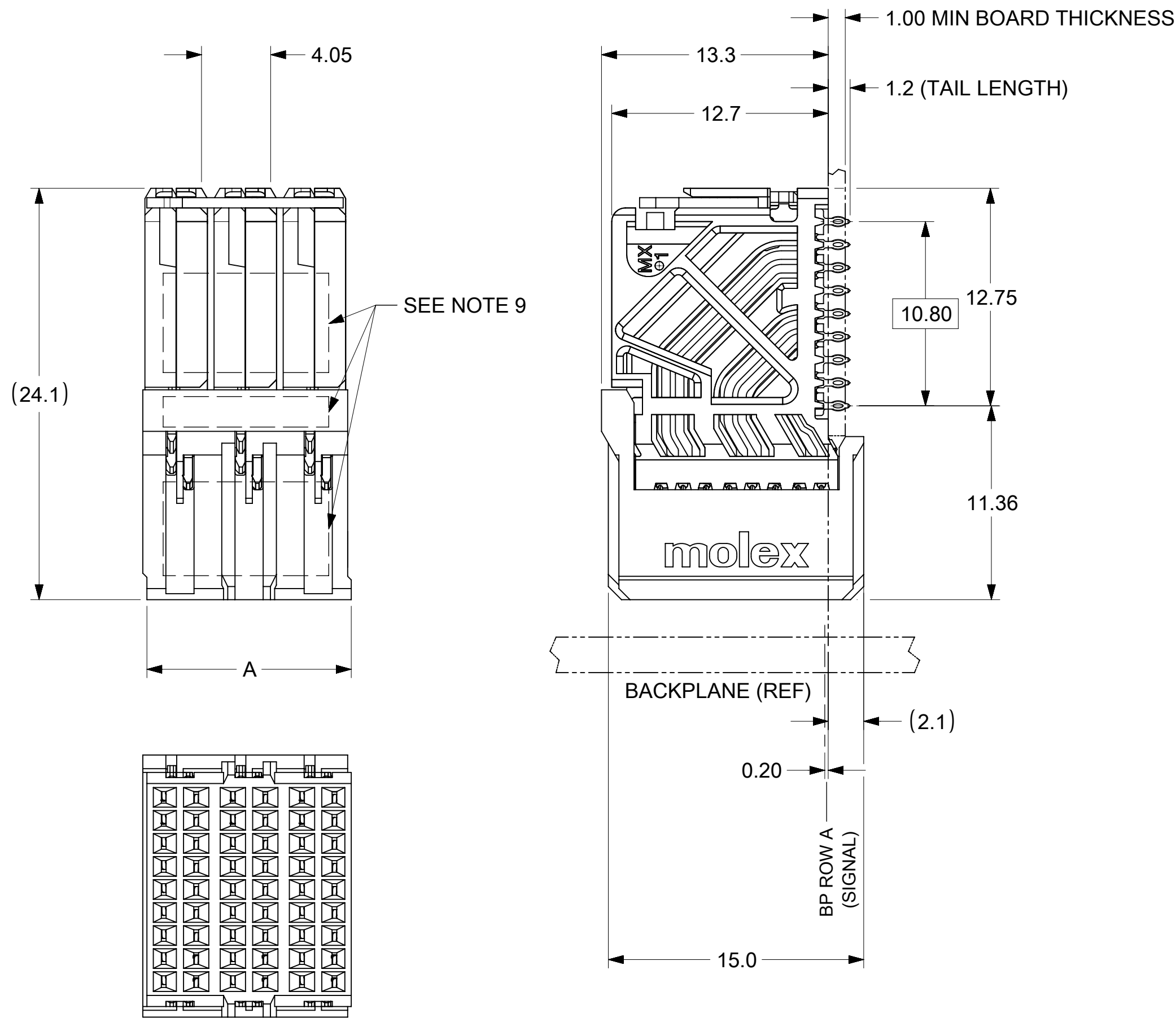
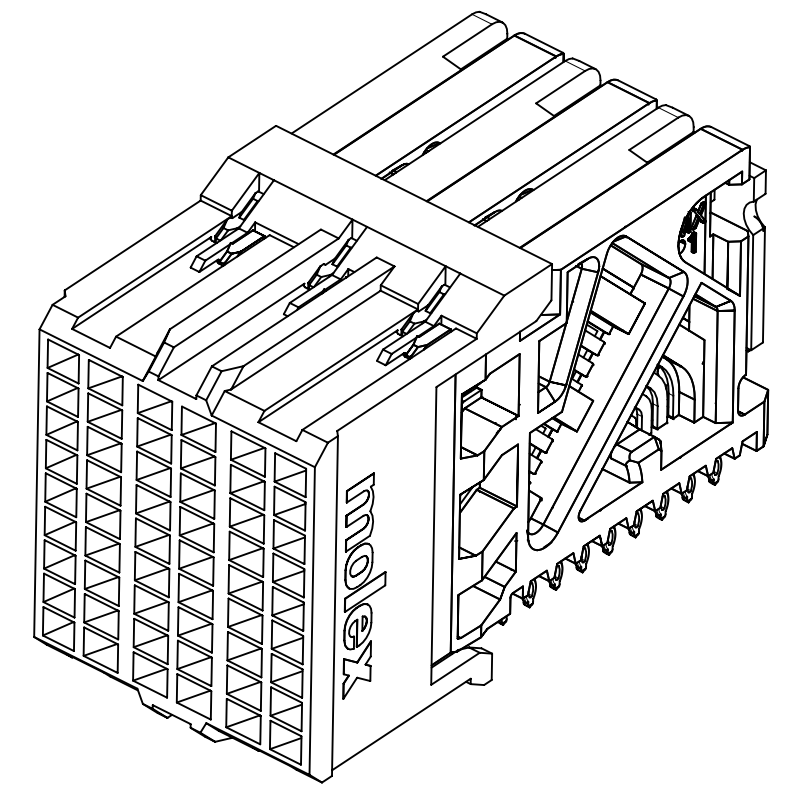


MATERIAL NUMBER	# OF COLUMNS	# OF DIFF PAIR	DIM "A" MAX	DIM "B"	PTH \varnothing
76860-1006	6	18	12.15	10.00	0.46 \pm 0.05
76860-1036	6	18	12.15	10.00	0.39 \pm 0.05
76860-1008	8	24	16.20	14.05	0.46 \pm 0.05
76860-1038	8	24	16.20	14.05	0.39 \pm 0.05

76860-*0**

MODULE & TAIL PLATING TYPE
1 = UNGUIDED, LEAD-FREE

OF COLUMNS
06 = 6 COL 0.46 PTH
36 = 6 COL 0.39 PTH
08 = 8 COL 0.46 PTH
38 = 8 COL 0.39 PTH



- NOTES:
1. MATERIALS: HOUSING - LIQUID CRYSTAL POLYMER (LCP), GLASS-FILLED, UL94V-0
TERMINALS - HIGH PERFORMANCE COPPER ALLOY
 2. FINISH: 30 μ IN MIN GOLD IN CONTACT AREA. SELECTIVE TIN ON PCB TAILS. NICKEL OVERALL.
 3. REFER TO MOLEX PRODUCT SPEC PS-76060-999 FOR PERFORMANCE SPECIFICATIONS AND ADDITIONAL PCB INFORMATION.
 4. EACH SIGNAL WAFER CONTAINS 2 COLUMNS OF TERMINALS.
 5. PRODUCT IS PACKAGED PER PK-70873-591.
 6. THIS PART CONFORMS TO CLASS B REQUIREMENTS OF COSMETIC SPEC PS-45499-002.
 7. REFER TO MOLEX SALES DRAWING SD-76855-001 FOR THE MATING HEADERS.
 8. REFER TO MOLEX ROUTING GUIDE AS-76850-990 FOR ADDITIONAL PCB LAYOUT AND ROUTING RECOMMENDATIONS.
 9. MARKING: LOCATED APPROXIMATELY AS SHOWN. PART NUMBER AND DATE CODE.

THIS DRAWING CONTAINS INFORMATION THAT IS PROPRIETARY TO MOLEX ELECTRONIC TECHNOLOGIES, LLC AND SHOULD NOT BE USED WITHOUT WRITTEN PERMISSION											
DIMENSION UNITS		SCALE		CURRENT REV DESC: REMASTERED TO NX							
mm		NTS						IMPACT DAUGHTERCARD 3 PAIR ORTHOGONAL UNGUIDED SALES DRAWING			
GENERAL TOLERANCES (UNLESS SPECIFIED)				EC NO: 705090				2021/12/02			
ANGULAR TOL \pm 0.5°				DRWN: YOGEEB				2022/01/31			
4 PLACES \pm				CHK'D: DYARAS				2022/05/13			
3 PLACES \pm				APPR: LZENG				PRODUCT CUSTOMER DRAWING			
2 PLACES \pm 0.15				INITIAL REVISION:				DOCUMENT NUMBER			
1 PLACE \pm 0.25				DRWN: JLAURX				SD-76860-001			
0 PLACES \pm				APPR: JBINGHAM				DOC TYPE DOC PART REVISION			
DRAFT WHERE APPLICABLE MUST REMAIN WITHIN DIMENSIONS				THIRD ANGLE PROJECTION		DRAWING		SERIES		MATERIAL NUMBER	
						C-SIZE		76860		SEE TABLE	
								CUSTOMER		GENERAL MARKET	
										SHEET NUMBER	
										1 OF 1	