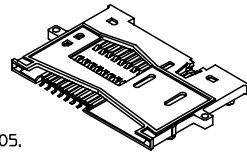
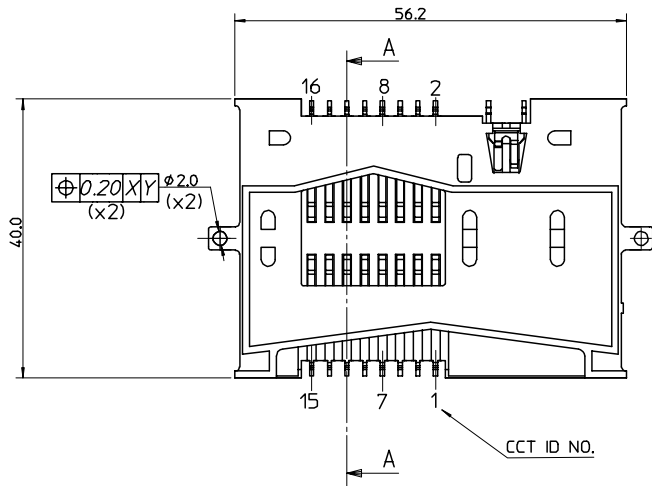
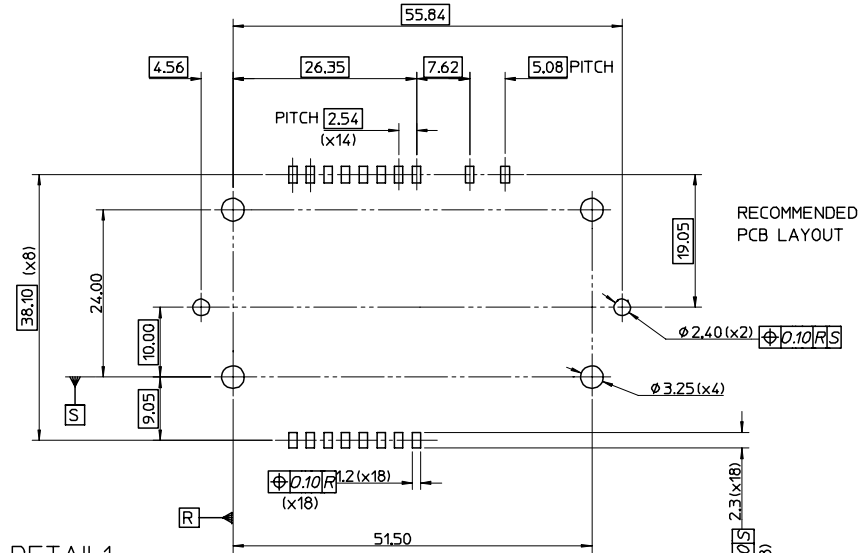


ITEM	COMPONENT	QTY	MATERIAL
▽	HOUSING	1	GLASS FILLED PBT, COLOUR BLACK
▽	SIGNAL TERMINAL	SEE CHART	0.20 REF. THK. PHOSPHOR BRONZE GOLD OVER NICKEL ON CONTACT AREA
▽	SWITCH CONTACT	1	TIN IN SOLDER AREA. NICKEL UNDERCOAT ALLOVER

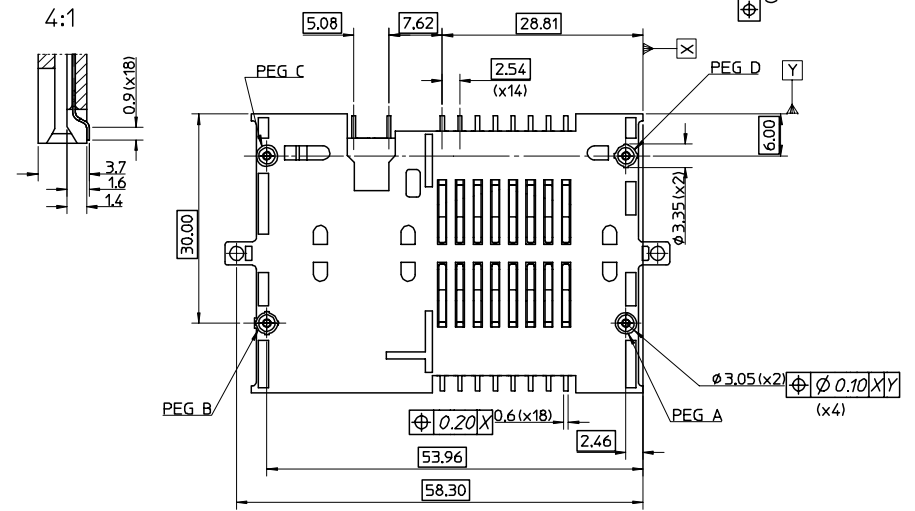
PART NO.	CCT SIZE	WITH PEGS	HOLD DOWN FEATURES	PART NO.	CCT SIZE	WITH PEGS	HOLD DOWN FEATURES
91322-0002	8	A,B,C,D	YES	91322-0001	16	A,B,C,D	YES
91322-0025	8	A,B,C,D	NO	91322-0039	16	A,B,C,D	NO
91322-0013	8	A,C	YES	91322-0027	16	A,C	YES
91322-0014	8	A,C	NO	91322-0028	16	A,C	NO
91322-0015	8	B,D	YES	91322-0029	16	B,D	YES
91322-0016	8	B,D	NO	91322-0030	16	B,D	NO
91322-0017	8	NONE	YES	91322-0031	16	NONE	YES
91322-0018	8	NONE	NO	91322-0032	16	NONE	NO



- NOTES:
- SEE PRODUCT SPECIFICATION PS-91321-005.
  - PACKAGING: TRAYS.
  - DATUM Z TO BE THE ZERO LINE FOR THE MEASUREMENT OF COPLANARITY, IT IS TO BE TAKEN AS THE PLANE OF A METAL BLOCK GAUGE ON WHICH THE CONNECTOR RESTS FREELY. ALL SOLDER TAILS TO LIE WITHIN 0.10mm OF THIS PLANE.



DETAIL 1



SEE DETAIL 1

A-A

LEAD-FREE CONVERSION	QUALITY SYMBOLS	GENERAL TOLERANCES (UNLESS SPECIFIED)		SCALE	DESIGN UNITS METRIC	THIRD ANGLE PROJECTION	REVISIONS			
		mm	INCH				DATE	DESCRIPTION	BY	APP'D
EC NO: E2005-0367 DRWN: PSHEAHAN CHKD: 2005/03/21 APPR: BMAGUIRE 2005/03/30	▽ -0 ∇ C=0	4 PLACES ± ---	± ---	MM ONLY	DATE	DATE	DATE	DATE	DATE	DATE
		3 PLACES ± ---	± ---		DATE	DATE	DATE	DATE	DATE	DATE
		2 PLACES ± 0.05	± ---		DATE	DATE	DATE	DATE	DATE	DATE
		1 PLACE ± 0.10	± ---		DATE	DATE	DATE	DATE	DATE	DATE
		ANGULAR ±1/2°			DATE	DATE	DATE	DATE	DATE	DATE
		DRAFT WHERE APPLICABLE			DATE	DATE	DATE	DATE	DATE	DATE
		MUST REMAIN WITHIN DIMENSIONS			DATE	DATE	DATE	DATE	DATE	DATE
					DATE	DATE	DATE	DATE	DATE	DATE

SMART CARD FRICTION SMT (SMT VERSION)

**MOLEX INCORPORATED**

MATERIAL NO. SEE CHART DOCUMENT NO. SD-91322-004 SHEET NO. 1 OF 1

THIS DRAWING CONTAINS INFORMATION THAT IS PROPRIETARY TO MOLEX INCORPORATED AND SHOULD NOT BE USED WITHOUT WRITTEN PERMISSION