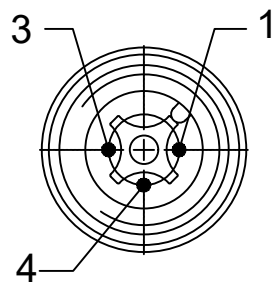


**MALE FACE VIEW  
3-POLE**

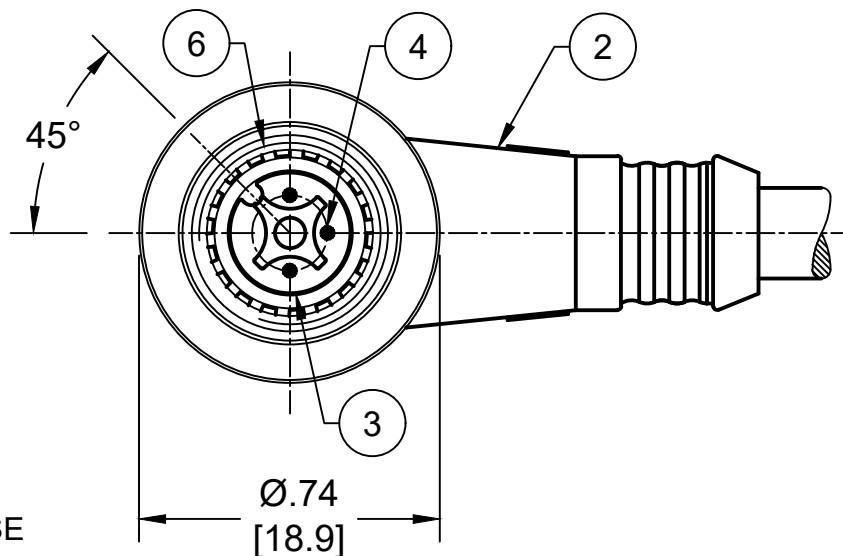
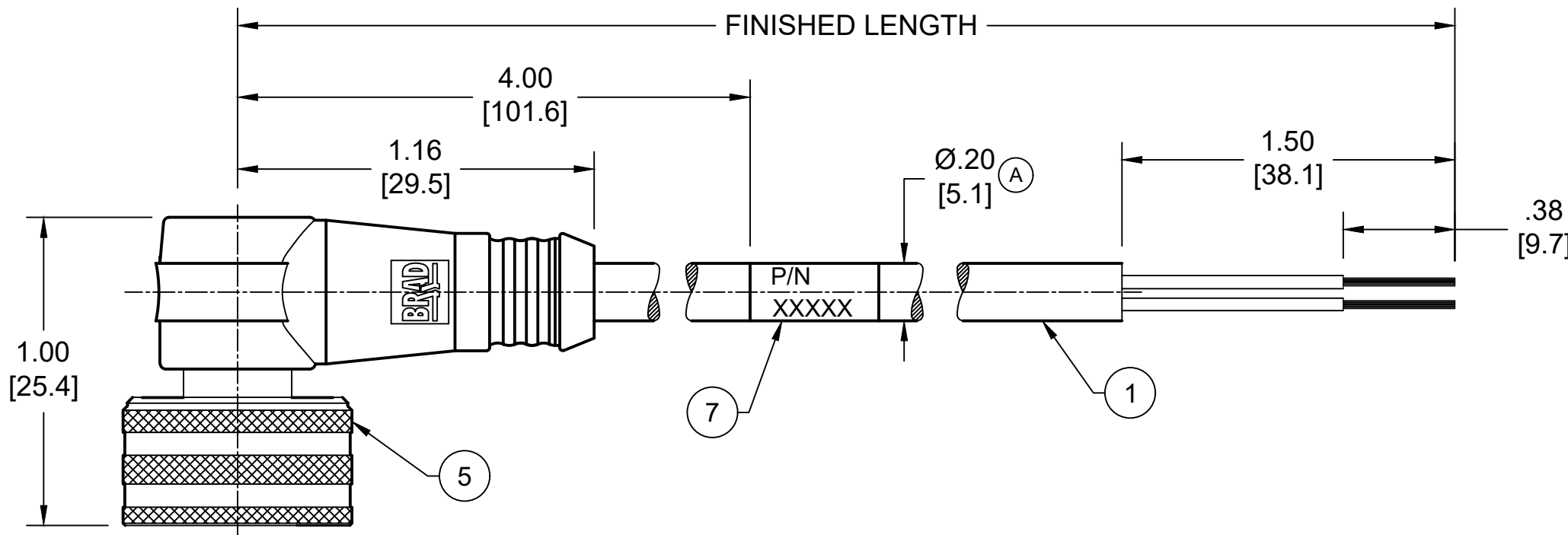


**WIRING DIAGRAM**

1 BROWN  
3 BLUE  
4 BLACK

**NOTES:**

1. MATERIAL: AS NOTED
2. FINISH: AS NOTED
3. ELECTRICAL:  
VOLTAGE: 250V  
CURRENT: 4A
4. TEMP RATING: -20°TO +105°C
5. PROTECTION: IP67/69K (WHEN MATED)
6. CSA CERTIFIED FILE: LR6837 (A)
7. ALL DIMENSIONS ARE FOR REFERENCE  
UNLESS TOLERANCED OR NOTED OTHERWISE



(A) PART NO	ENGINEERING NO.	FINISHED LENGTH
1200790025	W03007A09M010	1M [3FT 3 IN]
1200790222	W03007A09M050	5M [16FT 5 IN]
1200790224	W03007A09M100	10M [32FT 10 IN]

7	WRAP LABEL	VINYL	BLACK/YELLOW	(A)
6	O-RING	VITON	GREEN	
5	COUPLER	BRASS	NICKEL PLATED	
4	CONTACT PIN	COPPER ALLOY	GOLD OVER NICKEL	
3	MALE INSERT	PUR	BLACK	(A)
2	OVERMOLD	PUR	YELLOW	
1	#22 AWG CABLE	PVC JACKET	YELLOW	
ITEM	DESCRIPTION	MATERIAL	FINISH	

**PART NUMBER LEGEND  
W03007A09M010**

FINISHED LENGTH  
M005 = 0.5 METER  
M010 = 1 METER  
M100 = 10 METER

(A)

**CABLE LENGTH TOLERANCES**

<.3M [1FT]:	+19mm-0 [+ .75in-0]
.3 - .9M [1 - 3FT]:	+44.5mm-0 [+1.75in-0]
.9 - 1.8M [3 - 6FT]:	+55.6mm-0 [+2.19in-0]
1.8 - 3.7M [6 - 12FT]:	+88.9mm-0 [+3.50in-0]
3.7 - 7.3M [12 - 24FT]:	+165.1mm-0 [+6.50in-0]
7.3-14.6M [24 - 48FT]:	+317.5mm-0 [+12.50in-0]
14.6 - 30.5M [48-100FT]:	+622.3mm-0 [+24.50in-0]
OVER 30M [100FT]	+2% OF FINISHED LENGTH

FUNCTIONAL SYMBOLS FA=0 FE=0 FP=0	THIS DRAWING CONTAINS INFORMATION THAT IS PROPRIETARY TO MOLEX ELECTRONIC TECHNOLOGIES, LLC AND SHOULD NOT BE USED WITHOUT WRITTEN PERMISSION		<p><b>molex</b></p> <p>MICRO-CHANGE ULTRA LOCK, M12 3-POLE, MALE, 90DEG, SINGLE KEY, #22 AWG</p>	
	DIMENSION UNITS INCH/MM	SCALE NTS		
DIVISIONAL SYMBOLS	GENERAL TOLERANCES (UNLESS SPECIFIED)		EC NO: 702709	
	4 PLACES ±----	±----	DRWN: ABENJAMINLW	2021/07/23
DRAFT WHERE APPLICABLE MUST REMAIN WITHIN DIMENSIONS	3 PLACES ±----	±----	CHK'D: RSTONE	2022/04/11
	2 PLACES ±----	±----	APPR: BWOODMAN	2022/04/16
THIRD ANGLE PROJECTION	1 PLACE ±----	±----	INITIAL REVISION:	
	0 PLACES ±----	±----	DRWN: LSTEMMLE	2010/02/12
DRAWING	ANGULAR TOL ± --- °	± --- °	APPR: FPACHER	2010/02/15
	SERIES		MATERIAL NUMBER	
SHEET NUMBER	A3-SIZE		CUSTOMER	
	120079		GENERAL MARKET	
DOCUMENT NUMBER		DOC TYPE		REVISION
SD-120079-028		PSD		001 A
SEE CHART		SHEET NUMBER		1 OF 1