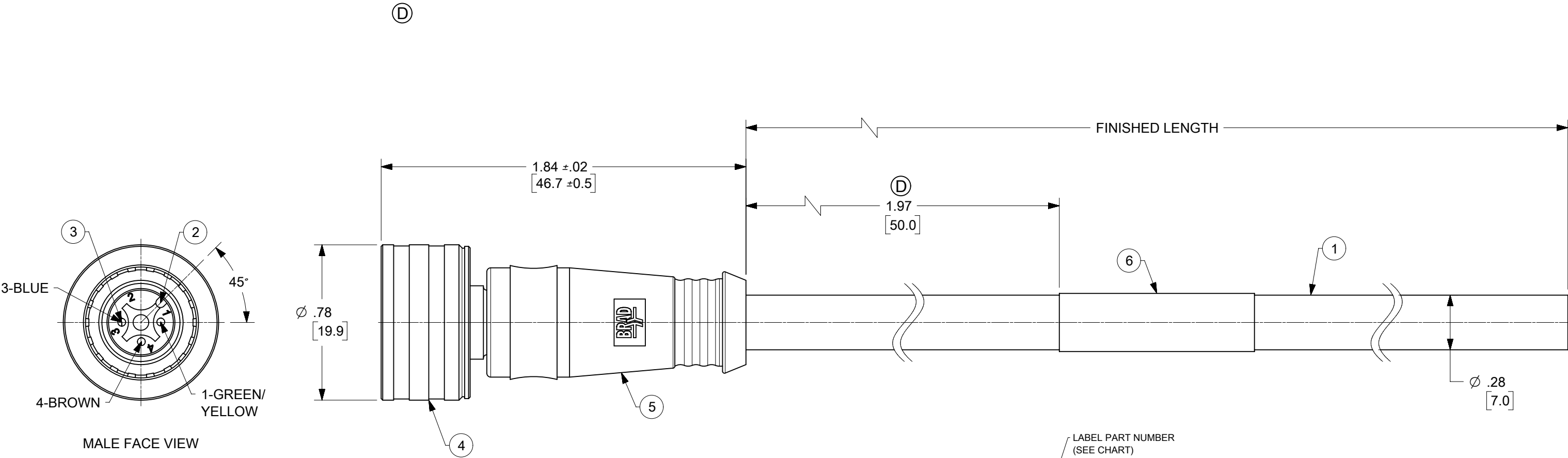
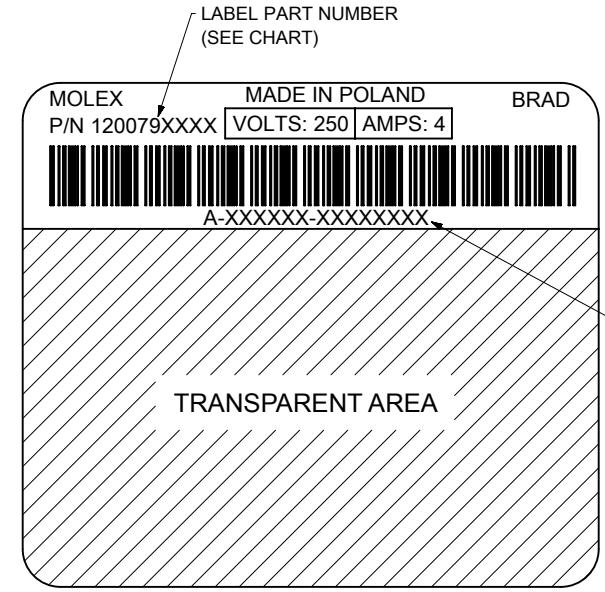


MATERIAL NO.	ENGINEERING NO.	FINISHED LENGTH
1200795130	1200795130	.50 M (1.64 FT)



- NOTES:
- MATERIAL: SEE TABLE
  - FINISHES: SEE TABLE
  - ELECTRICAL SPECIFICATIONS
- VOLT AGE RATING: 250V AC/DC
- CURRENT RATING: 4 AMPS
- DIELECTRIC WITHSTAND TEST: LIVE POLES AND GROUND SHALL BE TESTED AT 1500V FOR 1 MINUTE RESULTING IN NO FAILURE OR BREAKDOWN.
- ELECTRICAL CONTINUITY: APPLIED BETWEEN EACH CONTACT AND THE RESPECTIVE CONDUCTOR END OF CABLE
- PROTECTION: IP67 WHEN FULLY MATED
  - TEMPERATURE: -40°C TO +105°C
  - DIMENSIONS SHOWN ARE FOR REFERENCE ONLY UNLESS OTHERWISE SPECIFIED
  - CABLES ARE TO BE BULK PACKED WITH NO CABLE TIES



ITEM	DESCRIPTION	MATERIAL	FINISH
6	WRAP LABEL	VINYL	BLACK/YELLOW
5	OVERMOLD	PUR	YELLOW
4	ULTRA-LOCK COUPLING SLEEVE	BRASS	NICKEL PLATED
3	PIN CONTACT	Cu ALLOY	GOLD PLATED
2	INSERT A-CODE	PUR	BLACK
1	CABLE 3x0.75mm <sup>2</sup>	TPE	BLACK

CABLE LENGTH TOLERANCES	
>.3M [1FT]:	+19mm-0 [ +.75in-0]
.3 - .9M [1 - 3FT]:	+44.5mm-0 [+1.75in-0]
.9 - 1.8M [3 - 6FT]:	+55.6mm-0 [+2.19in-0]
1.8 - 3.7M [6 - 12FT]:	+88.9mm-0 [+3.50in-0]
3.7 - 7.3M [12 - 24FT]:	+165.1mm-0 [+6.50in-0]
7.3-14.6M [24 - 48FT]:	+317.5mm-0 [+12.50in-0]
14.6 - 30.5M [48-100FT]:	+622.3mm-0 [+24.50in-0]
OVER 30M [100FT]:	+2% OF FINISHED LENGTH

SYMBOLS	THIS DRAWING CONTAINS INFORMATION THAT IS PROPRIETARY TO MOLEX ELECTRONIC TECHNOLOGIES, LLC AND SHOULD NOT BE USED WITHOUT WRITTEN PERMISSION	<p><b>molex</b></p> <p>MIC 3P MP ULCK AC STR 18/3 TPE</p>																								
	<table border="1"> <tr> <th>DIMENSION UNITS</th> <th>SCALE</th> </tr> <tr> <td>HYBRID</td> <td>2:1</td> </tr> <tr> <th colspan="2">GENERAL TOLERANCES (UNLESS SPECIFIED)</th> </tr> <tr> <td>ANGULAR TOL</td> <td>± °</td> </tr> <tr> <td>4 PLACES</td> <td>±</td> </tr> <tr> <td>3 PLACES</td> <td>±</td> </tr> <tr> <td>2 PLACES</td> <td>±</td> </tr> <tr> <td>1 PLACE</td> <td>±</td> </tr> <tr> <td>0 PLACES</td> <td>±</td> </tr> <tr> <td>DRAFT WHERE APPLICABLE MUST REMAIN WITHIN DIMENSIONS</td> <td>THIRD ANGLE PROJECTION</td> <td>DRAWING</td> <td>SERIES</td> </tr> <tr> <td></td> <td></td> <td>B-SIZE</td> <td>120079</td> </tr> </table>			DIMENSION UNITS	SCALE	HYBRID	2:1	GENERAL TOLERANCES (UNLESS SPECIFIED)		ANGULAR TOL	± °	4 PLACES	±	3 PLACES	±	2 PLACES	±	1 PLACE	±	0 PLACES	±	DRAFT WHERE APPLICABLE MUST REMAIN WITHIN DIMENSIONS	THIRD ANGLE PROJECTION	DRAWING	SERIES	
DIMENSION UNITS	SCALE																									
HYBRID	2:1																									
GENERAL TOLERANCES (UNLESS SPECIFIED)																										
ANGULAR TOL	± °																									
4 PLACES	±																									
3 PLACES	±																									
2 PLACES	±																									
1 PLACE	±																									
0 PLACES	±																									
DRAFT WHERE APPLICABLE MUST REMAIN WITHIN DIMENSIONS	THIRD ANGLE PROJECTION	DRAWING	SERIES																							
		B-SIZE	120079																							
<p>CURRENT REV DESC: ADD PRIVATE LABEL, CHANGE LENGTH, ADD NOTE, UPDATE LABEL LOCATION</p> <p>EC NO: 618084</p> <p>DRWN: MZIELINSKI 2019/05/28</p> <p>CHK'D: RSTONE 2019/06/03</p> <p>APPR: BWOODMAN 2019/06/12</p> <p>INITIAL REVISION:</p> <p>DRWN: MZIELINSKI 2018/10/04</p> <p>APPR: BWOODMAN 2018/10/08</p>		<p>PRODUCT CUSTOMER DRAWING</p> <p>DOCUMENT NUMBER: 1200790334</p> <p>DOC TYPE: PSD</p> <p>DOC PART: 000</p> <p>REVISION: D</p>																								
<p>MATERIAL NUMBER: SEE CHART</p> <p>CUSTOMER: SEE CHART</p>		<p>SHEET NUMBER: 1 OF 1</p>																								