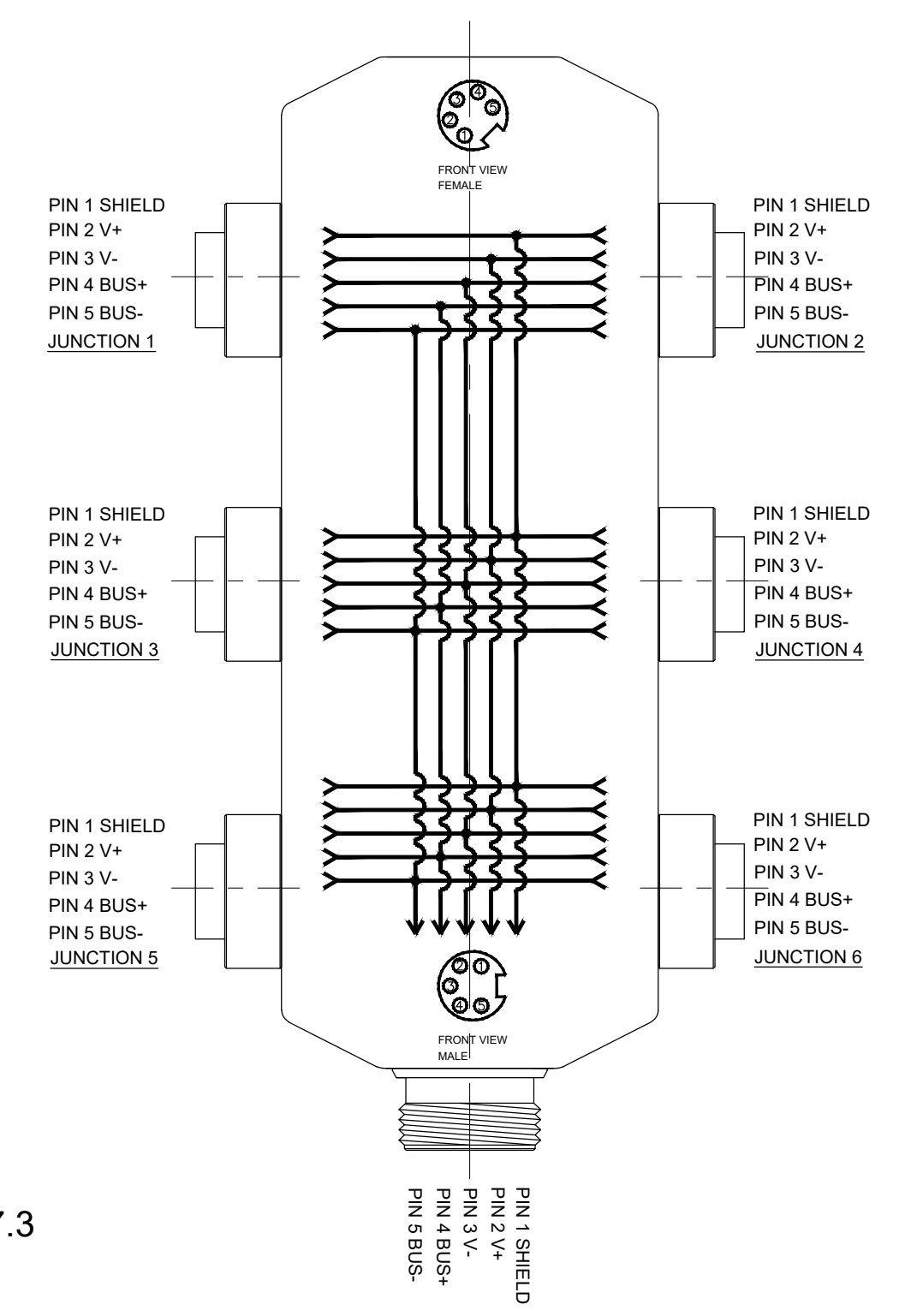
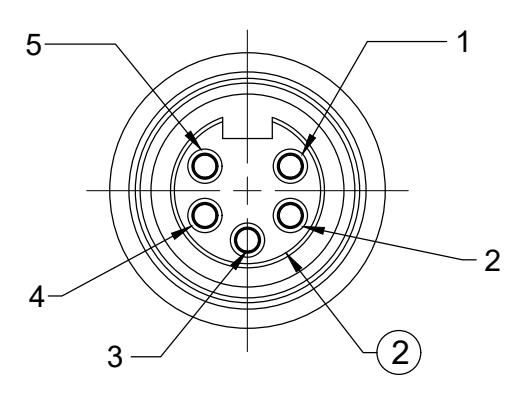
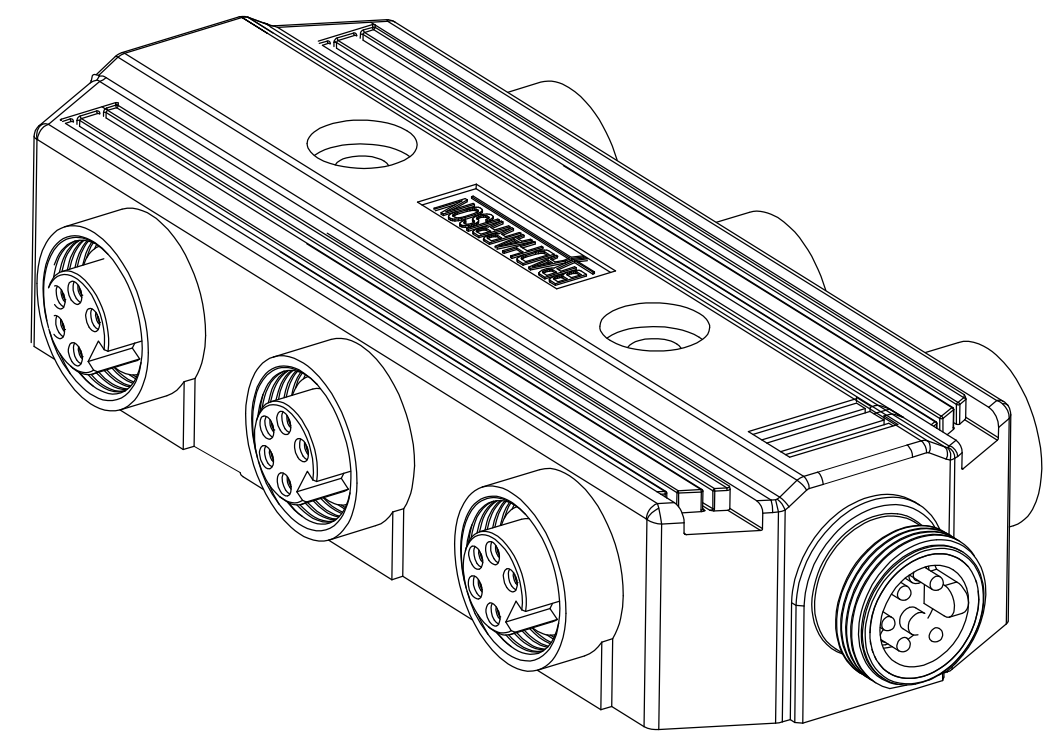


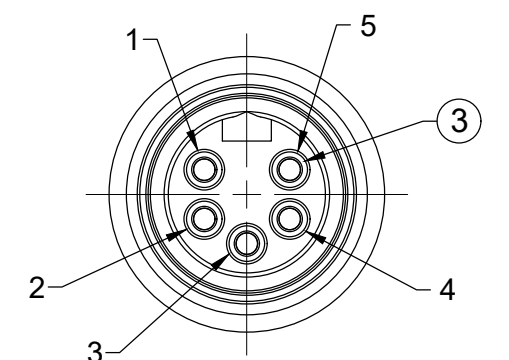
SCHEMATIC



MATERIAL NUMBER	ENGINEERING NUMBER
1300360008	DN6000



FEMALE FACE VIEW



MALE FACE VIEW

NOTES:

- MATERIAL: AS NOTED
- FINISH: AS NOTED
- ELECTRICAL:
VOLTAGE RATING: 120 VAC/VDC
CURRENT: 7A
- TEMP RATING: 0° TO +60°C
- PROTECTION: IP67 (WHEN MATED)
- COUPLING THREAD- AS NOTED
- UL LISTED FILE: E152210 (B)
CSA CERTIFIED FILE: LR6837
- ALL DIMENSIONS ARE FOR REFERENCE UNLESS TOLERANCED OR NOTED OTHERWISE

ITEM	COMPONENT	MATERIAL	FINISH
1	INSERT	TPE	GRAY
2	CONTACT SOCKET	COPPER ALLOY	GOLD OVER NICKEL
3	CONTACT PIN	COPPER ALLOY	GOLD OVER NICKEL
4	RECEPTACLE SHELL	ZINC DIE CAST	BLACK E-COATED
5	HOUSING	PBT	BLACK
6	LABEL	ABS	WHITE
	POTTING MATERIAL	EPOXY	BLACK

(B)

FUNCTIONAL SYMBOLS FA=0 FC=0 FP=0	DIMENSION UNITS	SCALE	CURRENT REV DESC: ITEM#1 WAS PVC. ADDED UL FILE NO & CSA. ADDED DIMS		
	INCH/MM	NTS			
	GENERAL TOLERANCES (UNLESS SPECIFIED)				
		mm	INCH		
DIVISIONAL SYMBOLS	4 PLACES	±----	±----	EC NO: 645633	
	3 PLACES	±----	±----	DRWN: ABENJAMINLW 2020/09/09	
	2 PLACES	±----	±----	CHK'D: RSTONE 2020/09/29	
	1 PLACE	±----	±----	APPR: BWOODMAN 2020/10/23	
	0 PLACES	±----	±----	INITIAL REVISION:	
	ANGULAR TOL ± --- °		DRWN: BWOODMAN 2009/07/06		
	DRAFT WHERE APPLICABLE MUST REMAIN WITHIN DIMENSIONS		APPR: JFMURPHY 2009/07/20		
		THIRD ANGLE PROJECTION	DRAWING	SERIES	DOCUMENT NUMBER
			C-SIZE	130036	SD-130036-002
					DOC TYPE/DOC PART/REVISION
					PSD 001 B
					MATERIAL NUMBER
					SEE CHART
					CUSTOMER
					GENERAL MARKET
					SHEET NUMBER
					1 OF 1