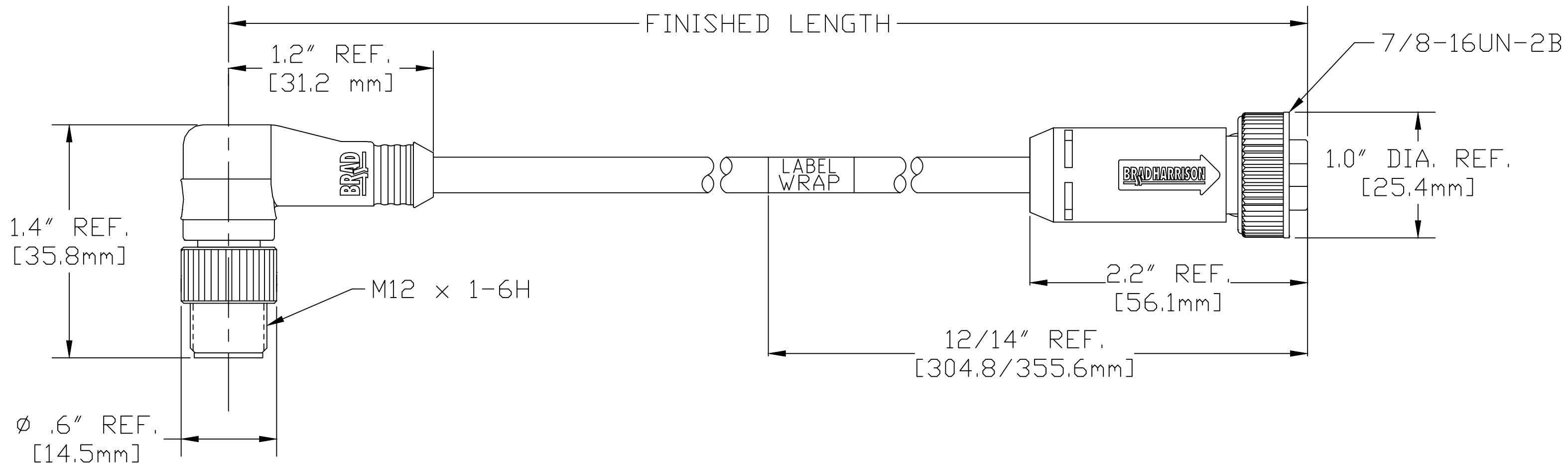


13	12	11	10	9	8	7	6	5	4	3	2	1
MATERIAL NUMBER	OLD PART NUMBER	FINISHED LENGTH										
1300390245	DNDF13A-M010	3.28' +3.50" -0 [1.0M +88.9mm -0]										



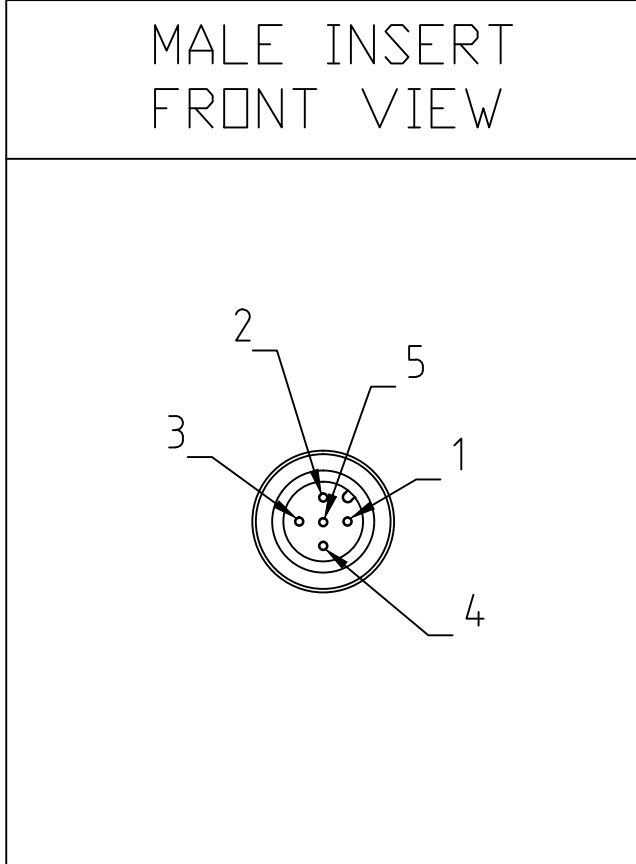
DNDF13A-M010

Cable type
DEVICENET
FLEX DROP

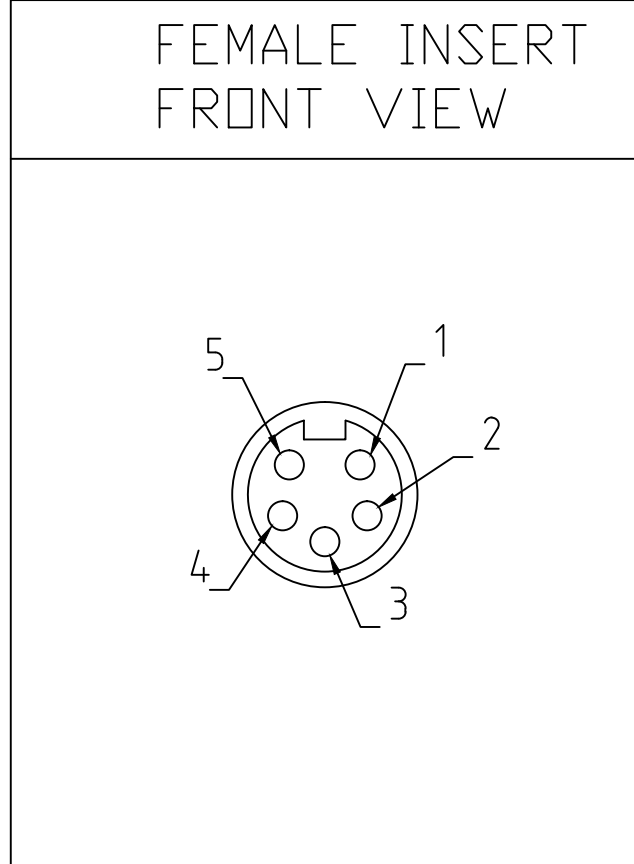
cable length
M010----1 Meter
M100----10 Meter

1	DRAIN	1
2	RED	2
3	BLACK	3
4	WHITE	4
5	BLUE	5

WIRING DIAGRAM



CONTACT:	GOLD/NICKEL OVER COPPER ALLOY
INSERT:	PVC, GRAY
COUPLING NUT:	ZINC DIE CAST, BLACK E-COATED
MOLDED BODY:	RITFLEX, GRAY
VOLTAGE RATING:	300 VAC/VDC
AMPERAGE RATING:	4 AMPS
PROTECTION:	IP67
OPERATING TEMPERATURE:	-20°C TO 80°C
CERTIFICATIONS:	UL RECOGNIZED FILE NO. E152210 CSA CERTIFIED FILE NO. LR6837



INITIAL RELEASE EC NO: IPG2014-0457 DRWN: GGUSTAFS 2013/08/29 CHKD: BARDEN APPR: BWOODMAN 2013/10/07 REV	QUALITY SYMBOL	GENERAL TOLERANCES (UNLESS SPECIFIED)		DIMENSION STYLE	SCALE	DESIGN UNITS	THIRD ANGLE PROJECTION	
	▽=0 ∇=0	mm	INCH	IN/MM	NTS	INCH		
		4 PLACES ±---	±---	DATE	TITLE			
		3 PLACES ±---	±.005	EBRACKEN 2013/06/18	MIC /MC CHANGE DEVICENET 5 POLE MALE / FEMALE 22/24 DROP CABLE GRAY TPE			
	2 PLACES ±0.13	±.010	BARDEN 2013/09/12	MOLEX INCORPORATED				
	1 PLACE ±0.25	±.020	BWOODMAN 2013/10/07	DOCUMENT NO.				
		ANGULAR ±.5°		MATERIAL NO.				
		DRAFT WHERE APPLICABLE MUST REMAIN WITHIN DIMENSIONS		SEE CHART		SD-130039-046		
				SIZE	THIS DRAWING CONTAINS INFORMATION THAT IS PROPRIETARY TO MOLEX INCORPORATED AND SHOULD NOT BE USED WITHOUT WRITTEN PERMISSION			
				C	SHEET NO. 1 OF 1			