

Solid-state relay module - EMG 17-OE- 12DC/ 24DC/500 - 2954387

Please be informed that the data shown in this PDF Document is generated from our Online Catalog. Please find the complete data in the user's documentation. Our General Terms of Use for Downloads are valid (<http://phoenixcontact.com/download>)




Input optocoupler, with light indicator and protection circuits in the input and output circuits, input: 12 V DC, output: short-circuit resistant, 12-35 V DC/max. 500 mA

The illustration shows version EMG 17-OE, with short-circuit proof DC voltage output, max. 500 mA



Key commercial data

Packing unit	1 pc
GTIN	 4 017918 085049
Weight per Piece (excluding packing)	56.43 GRM
Custom tariff number	85364190
Country of origin	Germany

Technical data

Dimensions

Width	17.5 mm
Height	75 mm
Depth	102 mm

Ambient conditions

Ambient temperature (operation)	-20 °C ... 50 °C
Ambient temperature (storage/transport)	-20 °C ... 70 °C
Degree of protection	IP20

Input data

Nominal input voltage U_N	12 V DC ± 10 %
-----------------------------	--------------------

Solid-state relay module - EMG 17-OE- 12DC/ 24DC/500 - 2954387

Technical data

Input data

Switching threshold "0" signal in reference to U _N	≤ 0.4
Switching threshold "1" signal in reference to U _N	≥ 0.8
Typical input current at U _N	5 mA
Typical response time	50 μs
Typical turn-off time	200 μs
Status display	Yellow LED
Type of protection	Protection against polarity reversal
Protective circuit/component	Polarity protection diode
	RC element
Transmission frequency	300 Hz

Output data

Output nominal voltage	24 V DC
Output voltage range	22 V DC ... 35 V DC
Limiting continuous current	500 mA
Current limitation at short-circuits	620 mA (continued short-circuit resistant)
Voltage drop at max. limiting continuous current	2 V
Output circuit	3-conductor, ground-referenced
Indication	Red LED, (flashes in the event of short-circuits or overload)
Type of protection	Protection against polarity reversal
	Free running
Protective circuit/component	Polarity protection diode
	Damping diode

Connection data

Connection method	Screw connection
Stripping length	8 mm
Screw thread	M3
Conductor cross section solid min.	0.2 mm ²
Conductor cross section solid max.	4 mm ²
Conductor cross section stranded min.	0.2 mm ²
Conductor cross section stranded max.	2.5 mm ²
Conductor cross section AWG/kcmil min.	24
Conductor cross section AWG/kcmil max	12

General

Test voltage input/output	3.5 kV AC
	3.5 kV AC
Mounting position	any

Solid-state relay module - EMG 17-OE- 12DC/ 24DC/500 - 2954387

Technical data

General

Assembly instructions	In rows with zero spacing
Operating mode	100% operating factor
Inflammability class according to UL 94	V0
Standards/regulations	DIN VDE 0110b, Gr. C for 250 V DC
	VDE 0110
Pollution degree	2
Surge voltage category	III

Classifications

eCl@ss

eCl@ss 4.0	27371102
eCl@ss 4.1	27371102
eCl@ss 5.0	27371001
eCl@ss 5.1	27371001
eCl@ss 6.0	27371001

ETIM

ETIM 2.0	EC001504
ETIM 3.0	EC001504
ETIM 4.0	EC001504
ETIM 5.0	EC001504

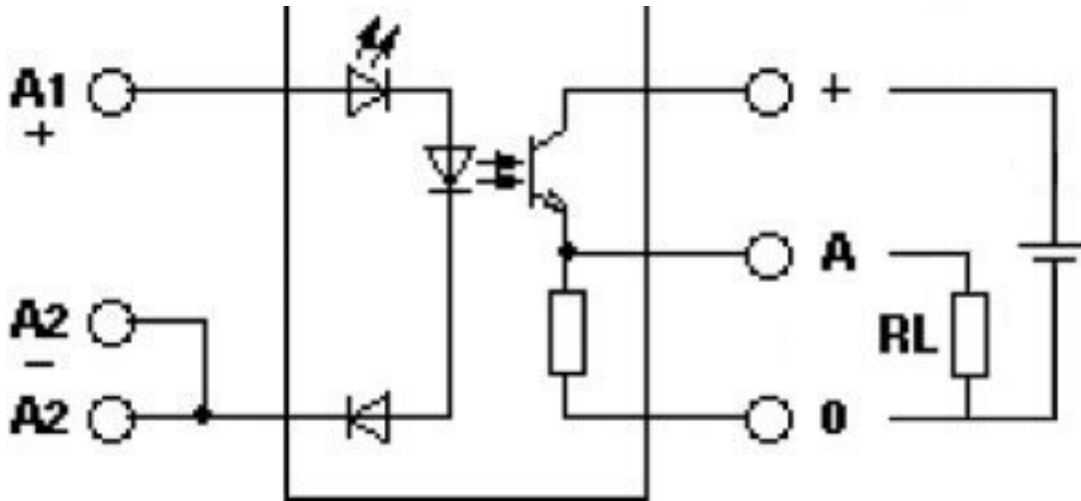
UNSPSC

UNSPSC 6.01	30211916
UNSPSC 7.0901	39121542
UNSPSC 11	39121542
UNSPSC 12.01	39121542
UNSPSC 13.2	39121542

Drawings

Solid-state relay module - EMG 17-OE- 12DC/ 24DC/500 - 2954387

Circuit diagram



Circuit diagram

