

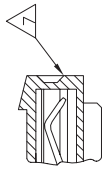
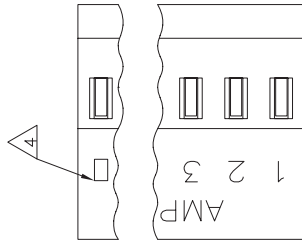
THIS DRAWING IS UNPUBLISHED.  
 © COPYRIGHT BY TYCO ELECTRONICS CORPORATION. ALL RIGHTS RESERVED.

RELEASED FOR PUBLICATION  
 ALL RIGHTS RESERVED.

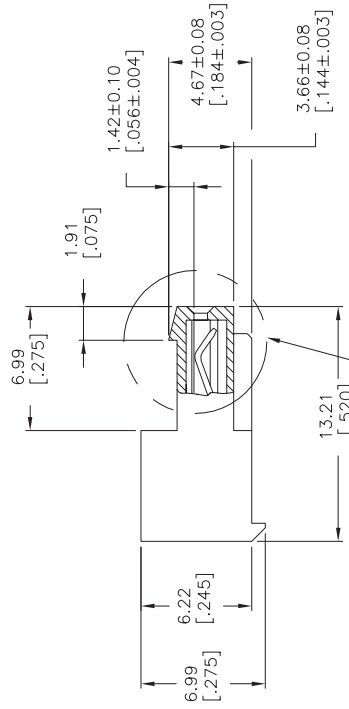
LOC CM 00

DIST P LTR H  
 REVISIONS DESCRIPTION REVISED PER ECO-07-003755

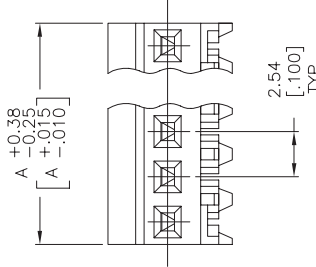
DATE 28FEB07  
 DRAWN BY KW  
 APPROVED BY DB



DETAIL A



SEE DETAIL A FOR CLOSED CIRCUIT



FINISH	DIM A	NO OF CIRCUITS	PART NO
TIN	17.78 [.700] 15.24 [.600]	7 6	3-644101-7 3-644101-6
TIN-LEAD	17.78 [.700] 15.24 [.600]	7 6	644101-7 644101-6

- 1 MATERIAL: CONNECTOR - NYLON UL94V-2 (WHITE).  
 CONTACTS - 0.30[.012] THICK COPPER ALLOY  
 MATE WHISKER MITIGATED TIN  
 0.00203[.000080] MIN THICKNESS  
 OVER NICKEL UNDERPLATE OR BRIGHT  
 TIN-LEAD 93/7 0.00203[.000080] MIN  
 THICKNESS. SEE FINISH COLUMN FOR  
 PLATING TYPE.
2. CONTACTS ACCEPT 24 AWG WIRE WITH 1.52[.060] MAX  
 INSULATION DIAMETER.
3. CONTACTS MUST ACCEPT .64±0.03[.025±.001] SQUARE  
 POST AND REMAIN LOCKED IN POSITION.
- 4 IDENTIFICATION NUMBER FOR LAST CIRCUIT MAY  
 NOT APPEAR ON ALL ASSEMBLIES.
5. DIMENSIONS IN BRACKETS ARE IN INCHES.
6. HOUSING FEATURES ARE: CLOSED END WITH LOCKING RAMP.  
 DETAIL A SHOWS CIRCUIT NO.5 MOLDED CLOSED.



THIS DRAWING IS A CONTROLLED DOCUMENT.

DESIGNER: B. LEWIS	DATE: 2/24/07
CHECKED: G. MILLER	DATE: 2/24/07
APPROVED: G. MILLER	DATE: 2/24/07
PRODUCT SPEC: 108-1050	
APPLICATION SPEC: 114-1019	
WEIGHT: -	

STANDARD: MIL-STD-883C  
 TEST METHOD: 2000.10  
 TEST CONDITION: 100%  
 TEST EQUIPMENT: -

SIZE: A2  
 CASE CODE: 00779  
 DRAWING NO: 644101

CUSTOMER DRAWING

SCALE: 5:1

SHEET 1 OF 1

REV H

TYCO ELECTRONICS CORPORATION  
 HARRISBURG, PA 17105-3608

MTA-100 CONNECTOR ASSEMBLY,  
 24 AWG, NO.5 CIRCUIT CLOSED,  
 SPECIAL

RESTRICTED TO