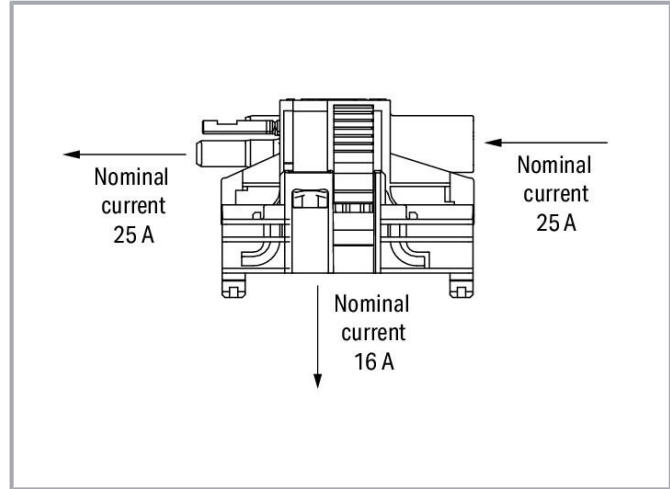
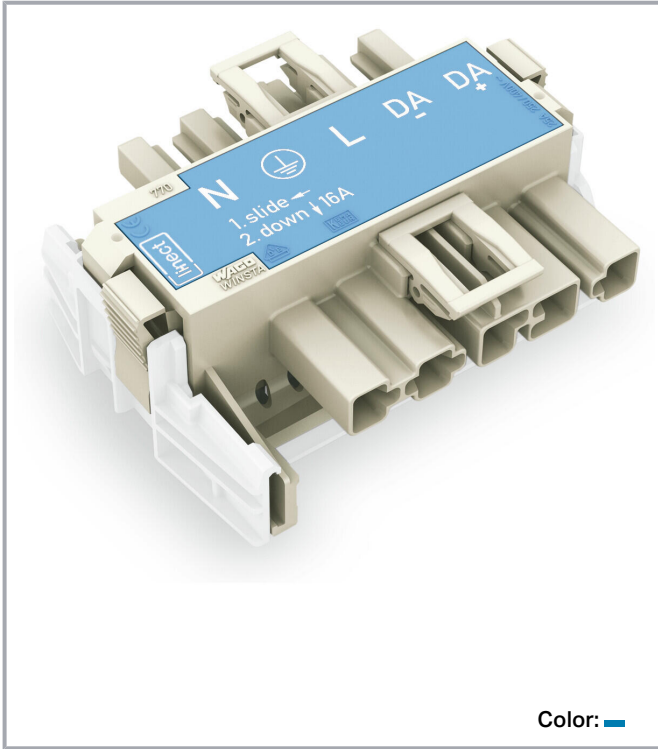


Data sheet | Item number: 770-7105

Linect® T-connector; 5-pole; Cod. I; 1 input; 2 outputs; blue

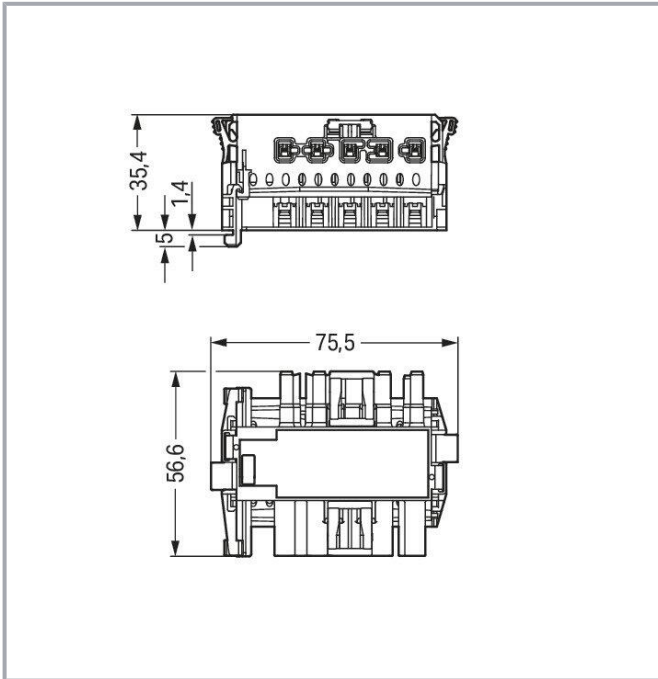
www.wago.com/770-7105



Subject to changes. Please also observe the further product documentation!

WAGO GmbH & Co. KG
Hansastr. 27
32423 Minden
Phone: +49571 887-0 | Fax: +49571 887-169
Email: info.de@wago.com | Web: www.wago.com

Do you have any questions about our products?
We are always happy to take your call at +49 (571) 887-44222.



Item description

Distribution connector *WINSTA*® MIDI I coding

The *WINSTA*® MIDI distribution connector I coding is the pluggable solution for your application in control cabinets, on PCBs or for lighting connections. On PCBs, in control cabinets or for connecting lights – pluggable installation connectors from WAGO allow you to make connections according to many different requirements in next to no time. For greater protection in electrical installations, the pluggable installation connector is equipped with mechanical protection against mismatching. The pluggable installation connector is protected in accordance with protection type IP20 (When mated: IP2xC (These compact connectors are not designed for use in open, easily accessible areas!)). This means that users' fingers will never come into contact with live elements. Controlled lighting, as implemented with the DALI standard, for example, is the primary domain of use of *WINSTA*® MIDI pluggable installation connectors with I coding. This pluggable installation connector can be employed for a load of up to 25 A. Therefore, it can also be used for high power loads. *WINSTA*® MIDI with Push-in CAGE CLAMP® spring pressure connection technology is used in a broad range of individual products you can use for quick, easy and maximally flexible electrical installation.

WINSTA® MIDI solutions for your electrical installation – protected against mismatching and maintenance-free

WINSTA® is the pluggable connection system that is optimally tailored to the strict requirements of electrical installation. It allows error-free installation of cables and components, quickly and reliably. Choose quality and durability – the *WINSTA*® MIDI pluggable installation connector with protection against mismatching from WAGO makes the installation of electrical components visibly easier.

—
Subject to changes. Please also observe the further product documentation!



-
- protection against mismatching eliminates errors
- pre-assembled versions
- for intelligent, easy lighting installation
- ready to install and use immediately
- quick replacement of defective units during ongoing operation

Data

Electrical data

Ratings per IEC/EN

Ratings per	IEC/EN 60664-1
Nominal voltage (III/3)	400 V
Rated impulse voltage (III/3)	6 kV
Rated current	25 A
Legend (ratings)	(III / 3) ≙ Overvoltage category III / Pollution degree 3

Ratings per IEC/EN 2

Rated current 2	16 A
-----------------	------

Ratings per UL 1977

Note for the US market	Some versions may also be used for current interruption in accordance with the UL certificate in select applications with currents below 16 A and voltages up to 600 V. For further information, please contact your local sales office.
Rated voltage (UL 1977)	600 V
Rated current UL 1977	23 A

General

Note on contact resistance	approx. 1 mΩ of contact resistance approx. 0.25 mΩ contact transition plug/socket
----------------------------	--

Connection data

Total number of potentials	5
PE function	Preceding PE contact

Subject to changes. Please also observe the further product documentation!

Connection 1

Pole number	5
-------------	---

Physical data

Pin spacing	10 mm / 0.394 inches
Width	75.5 mm / 2.972 inches
Height	40.5 mm / 1.594 inches
Depth	56.6 mm / 2.228 inches

Mechanical Data

Application	DALI, Lighting Management
Coding	I
Variable coding	No
Marking	N $\frac{1}{2}$ L DA- DA+
Potential marking	N $\frac{1}{2}$ L DA- DA+
Mating force of a plug-in connection	approx. 20 ... 70 N (depending on pole number)
Retention force of a plug-in connection	When locked: > 80 N
Unmating force of a plug-in connection	Unlocked: approx. 20 ... 70 N (depending on pole number)
Number of mating cycles	200, without resistive load
Type of distribution box	Linect [®] T-connector
Protection type	IP20; When mated: IP2xC (These compact connectors are not designed for use in open, easily accessible areas!)

Plug-in connection

Contact type (pluggable connector)	Socket/plug
Mismating protection	Yes
Note on mismating protection	All WINSTA [®] components are 100% protected against mismating when: a.) plugging different numbers of poles b.) plugging while rotated 180 c.) plugging while laterally staggered d.) plugging one pole
Locking lever	yes
Locking of plug-in connection	locking lever
Note on locking system	All connectors for mounted installations (snap-in versions for lighting fixtures or devices, all types of PCB and distribution

Subject to changes. Please also observe the further product documentation!



connectors) are factory-equipped with locking levers to ensure plugs and sockets are securely locked. Additional locking levers are only required for flying leads (plug/socket).

Material Data

Note (material data)

Information on material specifications can be found here

Color	blue
Insulation material	Polyamide (PA66)
Flammability class per UL94	V0
Contact material	Copper or copper alloy; surface-treated
Contact plating	Tin
Fire load	0.922 MJ
Weight	41.1 g

Environmental requirements

Processing temperature	-5 ... +40 °C
Continuous operating temperature	-35 ... +85 °C
Note on continuous operating temperature	Insulating parts for temperatures ≤ 105 °C

Commercial data

Product Group	20 (Winsta)
eCl@ss 10.0	27-44-06-02
eCl@ss 9.0	27-44-06-02
ETIM 8.0	EC002566
ETIM 7.0	EC002566
PU (SPU)	20 pcs
Packaging type	box
Country of origin	DE
GTIN	4050821000402
Customs tariff number	85366990990

Environmental Product Compliance

CAS-No.	131651-65-5 144317-44-2 220133-51-7 220689-12-3
---------	--


Subject to changes. Please also observe the further product documentation!

25628-08-4
29420-49-3
375-73-5
503155-89-3
507453-86-3
68259-10-9

REACH Candidate List Substance	Perfluorobutane sulfonic acid (PFBS) and its salts
RoHS Compliance Status	Compliant, No Exemption
SCIP notification number (Austria)	aa3b6b25-f159-40f1-a839-e1990ac0087b
SCIP notification number (Belgium)	bcf0ed1b-d2a6-4a15-91c2-45ae1524391f
SCIP notification number (Bulgaria)	dbdff0b-896d-4af5-b33e-5eb27c5db145
SCIP notification number (Czech Republic)	8052bba5-64ab-4f5a-8b8d-f6681f6ea87f
SCIP notification number (Denmark)	d826f846-ffc0-45ec-8f78-7bfa92767954
SCIP notification number (Finland)	869c621f-fad1-4816-939a-47b54190a9d5
SCIP notification number (France)	d37e6c09-29cc-4a56-be50-cbb191446213
SCIP notification number (Germany)	5ebc786a-dbd2-4400-bb7c-e0c1fa629f38
SCIP notification number (Hungary)	7213a003-02ce-44cd-bdc2-6e6d9383b7bf
SCIP notification number (Italy)	2ecf5e19-e915-48cd-9818-4af8aff3683a
SCIP notification number (Netherlands)	c18f3f94-d952-49e5-9bb3-ddb3e09e3002
SCIP notification number (Poland)	6dceed6d-7204-4b16-a37f-b18fb3105e39
SCIP notification number (Romania)	3454d912-995e-4c6d-9a6c-d48de76b0dde
SCIP notification number (Sweden)	098d4581-1b9b-42d8-aea6-2a13e298b5df

Approvals / Certificates

General approvals

Logo	Approval	Additional Approval Text	Certificate name
	VDE VDE Prüf- und Zertifizierungsinstitut	EN 61535	40029808

Counterpart



Item no. 294-8035

Lighting connector; push-button, external; for Linect®; without ground contact; DA+ DA- L PE N; 5-pole; Cod. I;
Lighting side: for solid conductors; Inst. side: for all conductor types; max. 2.5 mm²; Surrounding air temperature:
max 85°C (T85); 2,50 mm²; white

www.wago.com/294-8035



Item no. 294-8135

www.wago.com

Subject to changes. Please also observe the further product documentation!

WAGO GmbH & Co. KG

Hansastr. 27

32423 Minden

Phone: +49571 887-0 | Fax: +49571 887-169

Email: info.de@wago.com | Web: www.wago.com

Do you have any questions about our products?

We are always happy to take your call at +49 (571) 887-44222.

Lighting connector; push-button, external; for Linect®; with direct ground contact; DA+ DA- L PE N; 5-pole; Cod. I; /294-8135
 Lighting side: for solid conductors; Inst. side: for all conductor types; max. 2.5 mm²; Surrounding air temperature:
 max 85°C (T85); 2,50 mm²; white



Item no.770-1105
 Socket; 5-pole; Cod. I; 4,00 mm²; blue

www.wago.com/770-1105



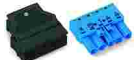
Item no.770-1105/022-000
 Socket; with strain relief housing; 5-pole; Cod. I; 4,00 mm²; blue

www.wago.com/770-1105/022-000



Item no.770-1115
 Plug; 5-pole; 4,00 mm²; blue

www.wago.com/770-1115



Item no.770-1115/022-000
 Plug; with strain relief housing; 5-pole; Cod. I; 4,00 mm²; blue

www.wago.com/770-1115/022-000



Item no.771-9985/006-102
 pre-assembled interconnecting cable; Eca; Socket/plug; 5-pole; Cod. I; H05VV-F 5G 1.5 mm²; 1 m; 1,50 mm²; blue

www.wago.com/771-9985/006-102



Item no.771-9985/106-102
 pre-assembled connecting cable; Eca; Socket/open-ended; 5-pole; Cod. I; H05VV-F 5G 1.5 mm²; 1 m; 1,50 mm²; blue

www.wago.com/771-9985/106-102



Item no.771-9985/206-102
 pre-assembled connecting cable; Eca; Plug/open-ended; 5-pole; Cod. I; H05VV-F 5G 1.5 mm²; 1 m; 1,50 mm²; blue

www.wago.com/771-9985/206-102

Optional accessories

Cover

Cover



Item no.: 770-360
 Lockout cap; for plugs; 5-pole; separable; yellow

www.wago.com/770-360



Item no.: 770-201
 Lockout cap; 12-pole, separable; for sockets; Plastic; black

www.wago.com/770-201



Item no.: 770-221
 Lockout cap; 12-pole, separable; for sockets; Plastic; white

www.wago.com/770-221

Downloads

Documentation

Bid Text

770-7105

2019 Feb 19

xml

Download

X81 - Datei

3.0 kB

Subject to changes. Please also observe the further product documentation!

WAGO GmbH & Co. KG

Hansastr. 27

32423 Minden

Phone: +49571 887-0 | Fax: +49571 887-169

Email: info.de@wago.com | Web: www.wago.com

Do you have any questions about our products?

We are always happy to take your call at +49 (571) 887-44222.

770-7105 doc - Datei	2014 Dec 2	doc 24.1 kB	Download
ausschreiben.de 770-7105		URL	Download

CAD/CAE-Data

CAE data

WSCAD Universe 770-7105	URL	Download
---	-----	----------

CAD data

2D/3D Models 770-7105	URL	Download
---------------------------------------	-----	----------

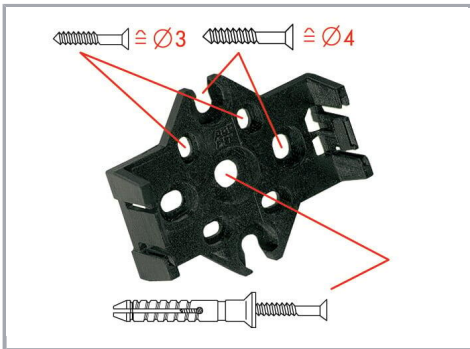
Environmental Product Compliance

Compliance Search

Environmental Product Compliance 770-7105 Linect® T-connector; 5-pole; Cod. I; 1 input; 2 outputs; blue	URL	Download
--	-----	----------

Installation Notes

Installation



Mounting plates can be secured using commercially available screws or nail-drive anchors.

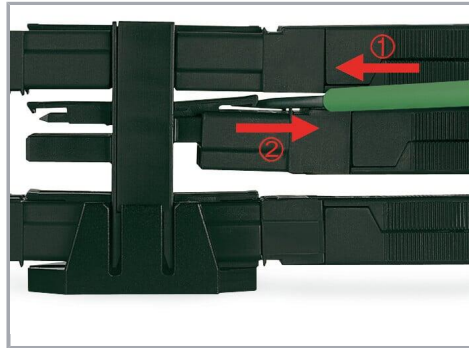


The distribution connectors snap together when attached to the mounting plate.

Subject to changes. Please also observe the further product documentation!



To release the distribution connector, unlock the latch using a screwdriver.



All distribution connector connections are locked and protected against accidental disconnection directly after mating. Locking of any connection is released using a screwdriver, even if all connections are used.

Product family

WINSTA® MIDI

[Show all products from the family](#)

Subject to changes. Please also observe the further product documentation!