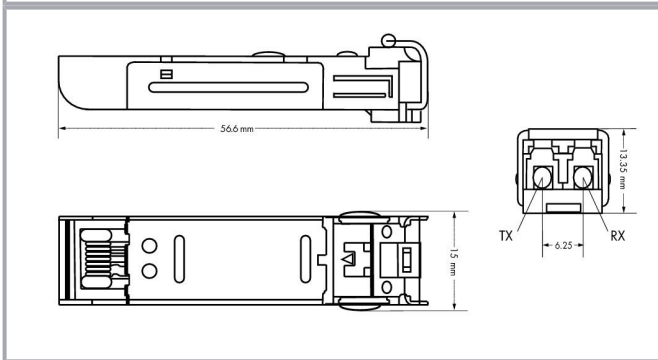
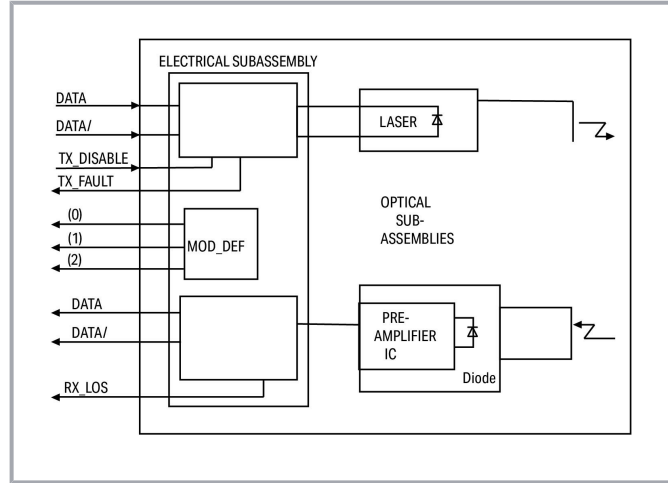


Picture differs from the item.

Color:



## Item description

### Features:

- Duplex LC optical connector
- Small Form-Factor Pluggable (SFP) industry-standard design
- Compliant with Fast ETHERNET standard
- Differential LVPECL inputs and outputs

Subject to changes. Please also observe the further product documentation!

WAGO GmbH & Co. KG  
Hansastr. 27  
32423 Minden  
Phone: +49571 887-0 | Fax: +49571 887-169  
Email: [info.de@wago.com](mailto:info.de@wago.com) | Web: [www.wago.com](http://www.wago.com)

Do you have any questions about our products?  
We are always happy to take your call at +49 (571) 887-44222.



- Power supply: 3.3 V
- TTL signal detect indicator
- Hot-pluggable capability

## Data

### Technical data

|                    |            |
|--------------------|------------|
| Optical fiber type | Multi-mode |
|--------------------|------------|

### Connection data

|   |  |
|---|--|
| Connection technology: communication/fieldbus     | 1 x SFP; LC fiber-optic connector                            |
| Connection requirement (permissible cable length) | 2,000 m  |
| Connection requirement (permissible cable type)   | Multi-mode fiber 62.5/125 µm, 50/125 µm; Wavelength: 1310 nm |

### Physical data

|        |                        |
|--------|------------------------|
| Width  | 13.4 mm / 0.528 inches |
| Height | 13.3 mm / 0.524 inches |
| Depth  | 56.6 mm / 2.228 inches |

### Mechanical Data

|        |                |
|--------|----------------|
| Weight | 24 g           |
| Color  | silver-colored |

### Environmental requirements

|                                 |                |
|---------------------------------|----------------|
| Ambient temperature (operation) | -40 ... +70 °C |
| Ambient temperature (storage)   | -40 ... +80 °C |

### Commercial data

|                       |               |
|-----------------------|---------------|
| eCl@ss 10.0           | 19-17-01-30   |
| eCl@ss 9.0            | 19-17-01-06   |
| ETIM 8.0              | EC000309      |
| ETIM 7.0              | EC000309      |
| PU (SPU)              | 1 pcs         |
| Packaging type        | box           |
| Country of origin     | TW            |
| GTIN                  | 4045454635404 |
| Customs tariff number | 85176200000   |

Subject to changes. Please also observe the further product documentation!

WAGO GmbH & Co. KG  
 Hansastr. 27  
 32423 Minden  
 Phone: +49571 887-0 | Fax: +49571 887-169  
 Email: [info.de@wago.com](mailto:info.de@wago.com) | Web: [www.wago.com](http://www.wago.com)

Do you have any questions about our products?  
 We are always happy to take your call at +49 (571) 887-44222.



## Environmental Product Compliance

RoHS Compliance Status


Compliant, No Exemption

## Approvals / Certificates

### General approvals

| Logo   | Approval                               | Additional Approval Text | Certificate name            |
|--|--|--------------------------|-----------------------------|
|  | EAC<br>Brjansker Zertifizierungsstelle | TP TC 020/2011           | EAC RU C-DE.AM02.B.00087/19 |
|   | KC<br>National Radio Research Agency   | Article 58-2, Clause 3   | MSIP-REM-W43-SFP852         |

### Declarations of conformity and manufacturer's declarations

| Logo  | Approval   | Additional Approval Text | Certificate name |
|---|--|--------------------------|------------------|
|  | EU-Declaration of Conformity<br>WAGO GmbH & Co. KG | -                        | -                |

## Downloads

### Documentation

#### Bid Text

|                                 |             |                |          |
|---------------------------------|-------------|----------------|----------|
| 852-201/107-002<br>X81 - Datei  | 2019 Feb 19 | xml<br>3.9 kB  | Download |
| 852-201/107-002<br>doc - Datei  | 2018 Mar 9  | doc<br>26.1 kB | Download |
| ausschreiben.de 852-201/107-002 |             | URL            | Download |

### System Description

|   |               |          |
|---|---------------|----------|
| Industrial Switches – General Product Information | pdf<br>1.9 MB | Download |
|---|---------------|----------|

Subject to changes. Please also observe the further product documentation!

WAGO GmbH &amp; Co. KG

Hansastr. 27

32423 Minden

Phone: +49571 887-0 | Fax: +49571 887-169

Email: [info.de@wago.com](mailto:info.de@wago.com) | Web: [www.wago.com](http://www.wago.com)

Do you have any questions about our products?

We are always happy to take your call at +49 (571) 887-44222.



### Additional Information

|   |             |        |          |
|---|-------------|--------|----------|
| Disposal and Recycling                                    | V 1.1.0     | pdf    | Download |
| Electrical and electronic equipment, Batteries, Packaging | 2022 Aug 18 | 2.2 MB |          |

---

### CAD/CAE-Data

#### CAE data

|                                   |     |          |
|-----------------------------------|-----|----------|
| EPLAN Data Portal 852-201/107-002 | URL | Download |
| WSCAD Universe 852-201/107-002    | URL | Download |
| EPLAN Data Portal 852-201/107-002 | URL | Download |
| WSCAD Universe 852-201/107-002    | URL | Download |

---

### Environmental Product Compliance

#### Compliance Search

|  |     |          |
|--|-----|----------|
| Environmental Product Compliance 852-201/107-002                   | URL | Download |
| SFP Module 100BASE; FX Multi-Mode 1310 nm LC; 2 km; silver-colored |     |          |

---

### Installation Notes

Subject to changes. Please also observe the further product documentation!

WAGO GmbH & Co. KG  
Hansastr. 27  
32423 Minden  
Phone: +49571 887-0 | Fax: +49571 887-169  
Email: [info.de@wago.com](mailto:info.de@wago.com) | Web: [www.wago.com](http://www.wago.com)

Do you have any questions about our products?  
We are always happy to take your call at +49 (571) 887-44222.