



AC Current Band Monitor

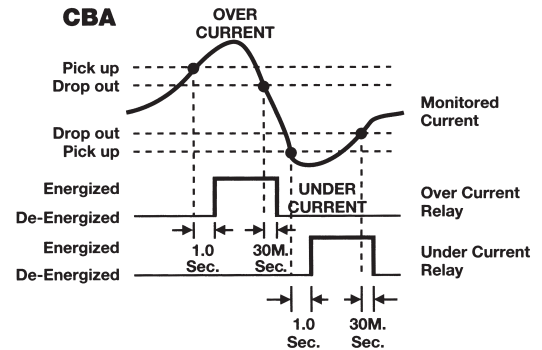
SPECIFICATIONS

CONTROL VOLTAGE	120 VAC, 50/60 Hz	
TRIP POINTS	Over Current	
	Pick-up	See Table Below
	Drop-out	2% below Pick-up
	Under Current	
	Pick-up	See Table Below
	Drop-out	2% above Pick-up
OUTPUT	10 Amps @ 120 VAC, Resistive	
HYSTERESIS	2%	
RESPONSE TIME	Operate	1.0 SEC
	Release	30 mSEC
INDICATORS	LED's Show Over/Under Current Status	
RESET	Automatic	
TEMPERATURE RATING	Operate	32° to 131°F (0° to +55°C)
	Storage	-49° to 185°F (-45° to +85°C)
CONTACT ARRANGEMENT	(2) Form C Contacts. One each for Over/Under	
ENCLOSURE	Lexan Surface Mounted; #8-32 Screw Terminals	
WEIGHT	16 oz.	

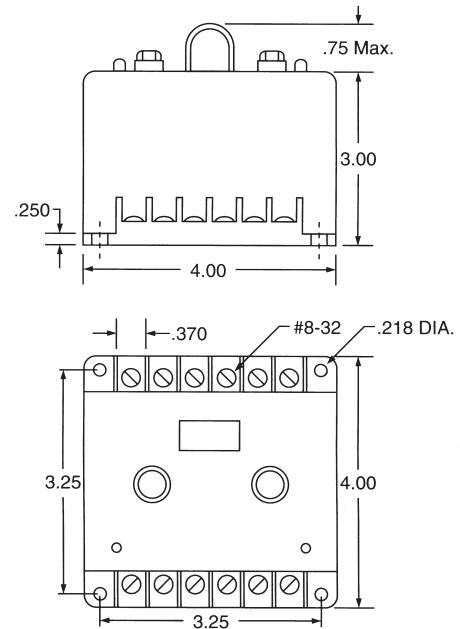
MODEL NUMBER	UNDER CURRENT RANGE	OVER CURRENT RANGE
CBA-120-ALE-1	0.2 to 1.0 amps, Adjustable	0.2 to 1.0 amps, Adjustable
CBA-120-ALE-5	1.0 to 5.0 amps, Adjustable	1.0 to 5.0 amps, Adjustable
CBA-120-ALE-10	2.0 to 10 amps, Adjustable	2.0 to 10 amps, Adjustable
CBA-120-ALE-20	4.0 to 20 amps, Adjustable	4.0 to 20 amps, Adjustable
CBA-120-ALE-30	6.0 to 30 amps, Adjustable	6.0 to 30 amps, Adjustable
CBA-120-ALE-40	8.0 to 40 amps, Adjustable	8.0 to 40 amps, Adjustable

The **CBA Series** is used to detect **UNDER** and **OVER CURRENT** conditions. When the monitored current is within the normal current band, both internal relays are de-energized (Drop-out). When the current rises above the over current setting for longer than 1.0 second, the over current relay energizes (Pick-up). If the current falls below the under current setting for longer than 1.0 second, the under current relay energizes. When the monitored current returns to normal, the relays will automatically reset. The over and under current trip points are independently adjustable.

An External CT may be used to extend the range of the Current Monitor.



DIMENSIONS (INCHES)



WIRING

