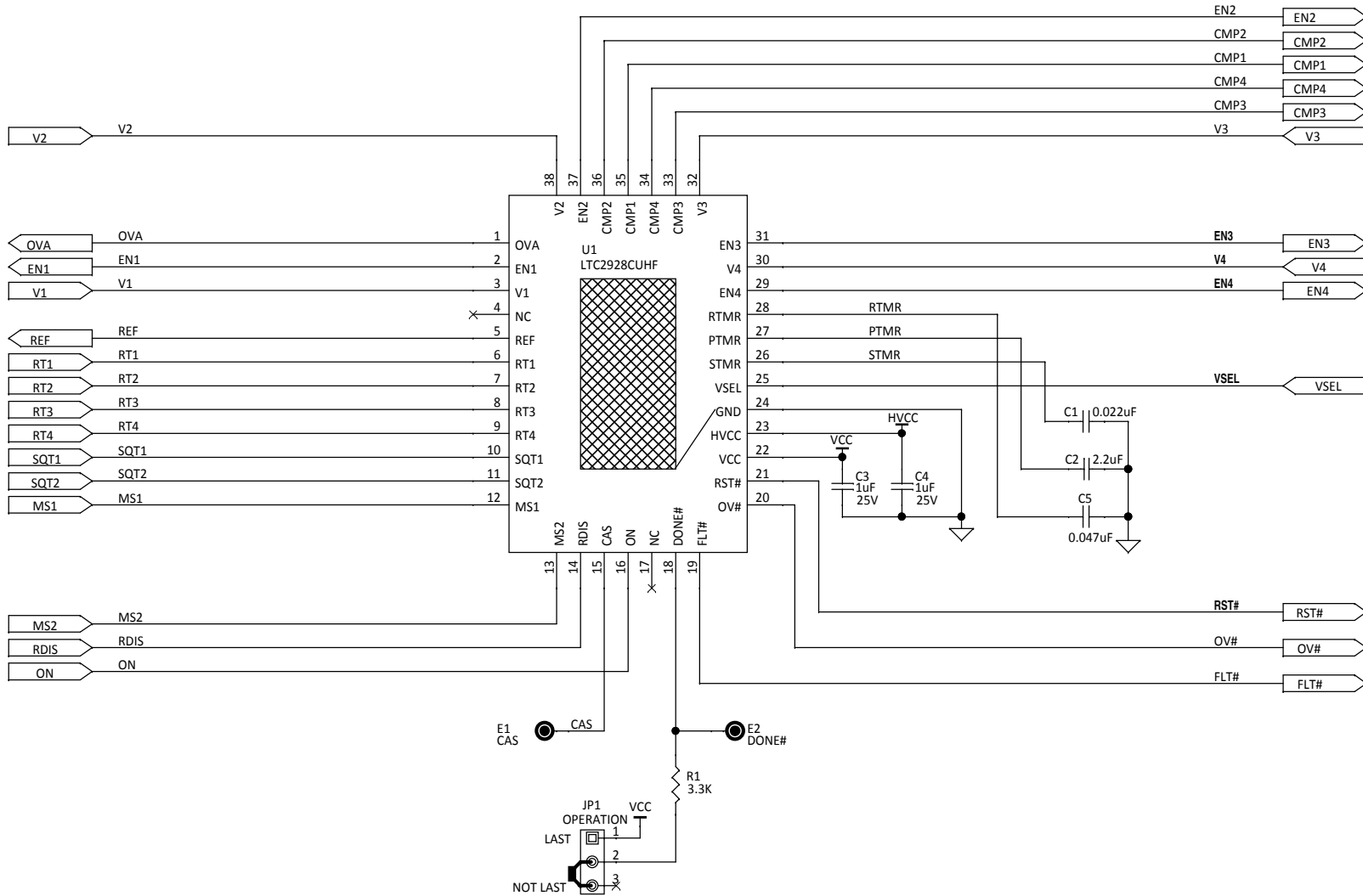


REVISION HISTORY				
ECO	REV	DESCRIPTION	APPROVED	DATE
-	B	Replaced obsolete LED's	Vlad Ostrerov	Oct 20, 2015



CUSTOMER NOTICE
 LINEAR TECHNOLOGY HAS MADE A BEST EFFORT TO DESIGN A CIRCUIT THAT MEETS CUSTOMER-SUPPLIED SPECIFICATIONS; HOWEVER, IT REMAINS THE CUSTOMER'S RESPONSIBILITY TO VERIFY PROPER AND RELIABLE OPERATION IN THE ACTUAL APPLICATION. COMPONENT SUBSTITUTION AND PRINTED CIRCUIT BOARD LAYOUT MAY SIGNIFICANTLY AFFECT CIRCUIT PERFORMANCE OR RELIABILITY. CONTACT LINEAR TECHNOLOGY APPLICATIONS ENGINEERING FOR ASSISTANCE.

THIS CIRCUIT IS PROPRIETARY TO LINEAR TECHNOLOGY AND SUPPLIED FOR USE WITH LINEAR TECHNOLOGY PARTS.

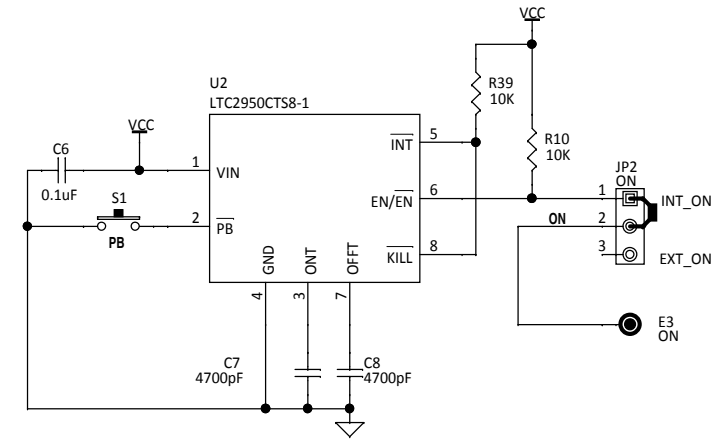
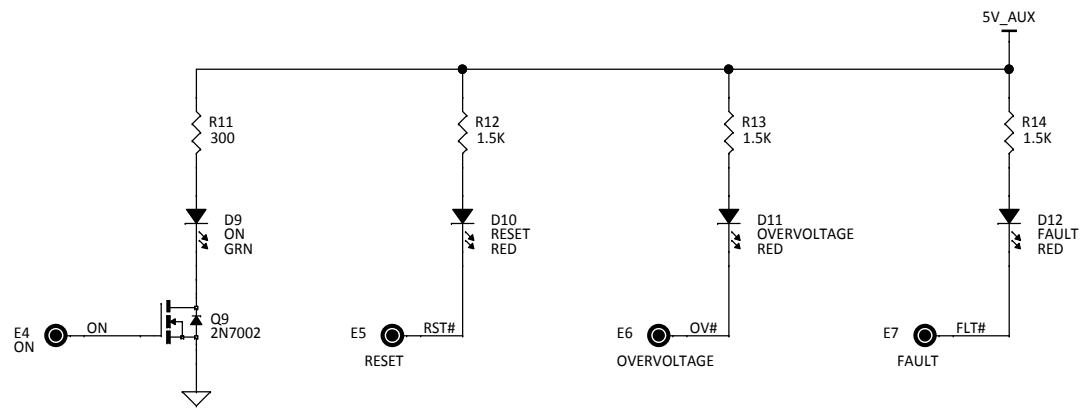
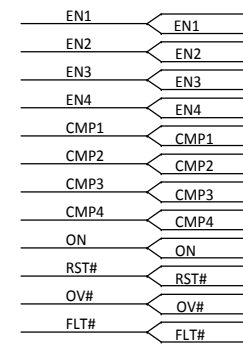
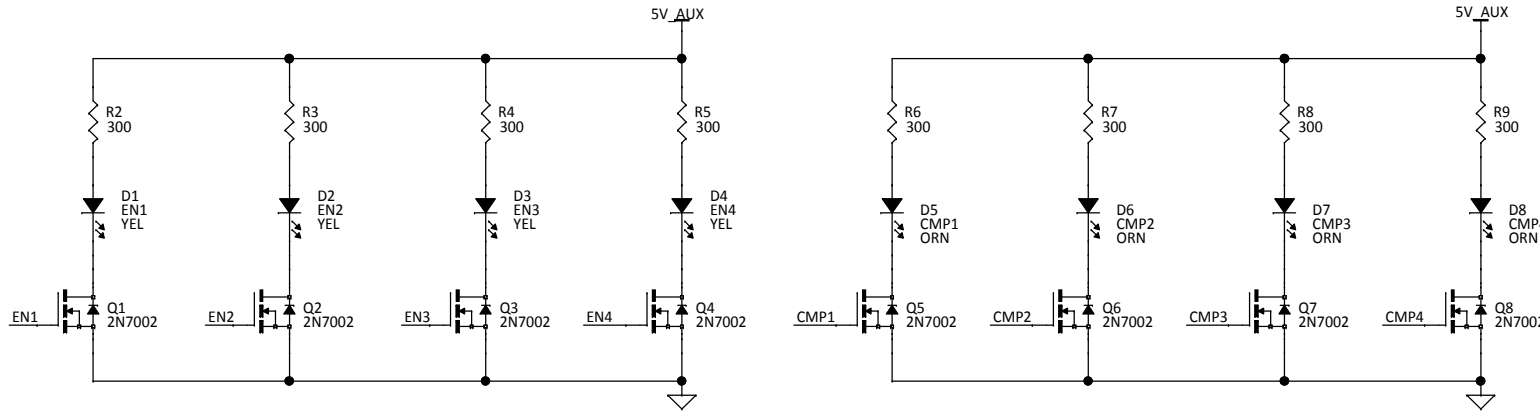
APPROVALS	
PCB DES.	RB
APP ENG.	Vlad Ostrerov
SCALE	NONE

LINEAR TECHNOLOGY
 1630 McCarthy Blvd.
 Milpitas, CA 95035 www.linear.com
 Phone: (408)432-1900
 Fax: (408)434-0507
 LTC CONFIDENTIAL - FOR CUSTOMER USE ONLY


TITLE: SCHEMATIC
Multichannel Power Supply Sequencer and Supervisor

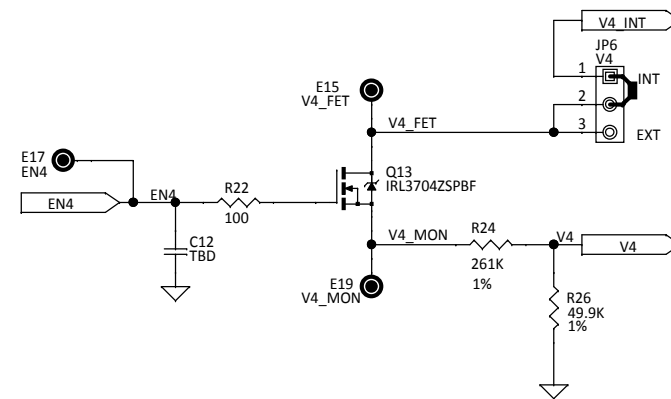
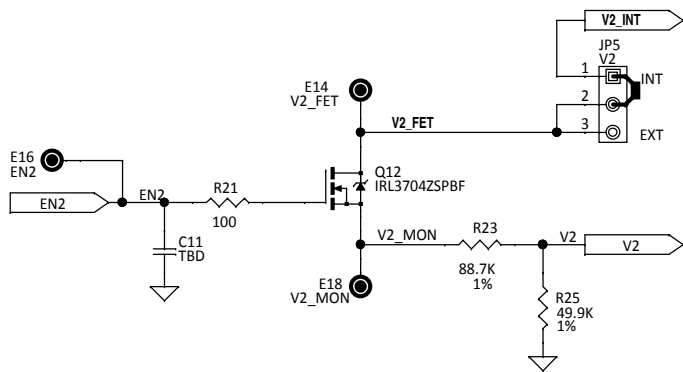
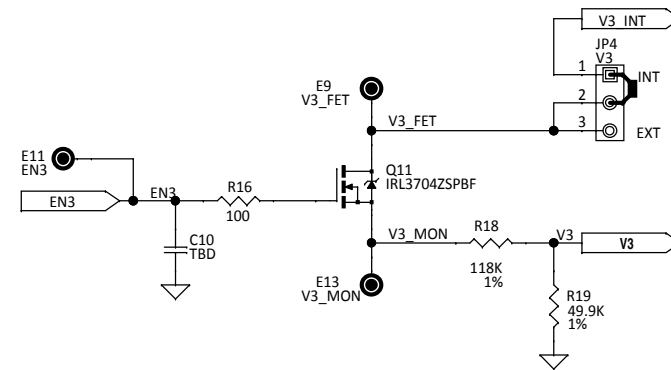
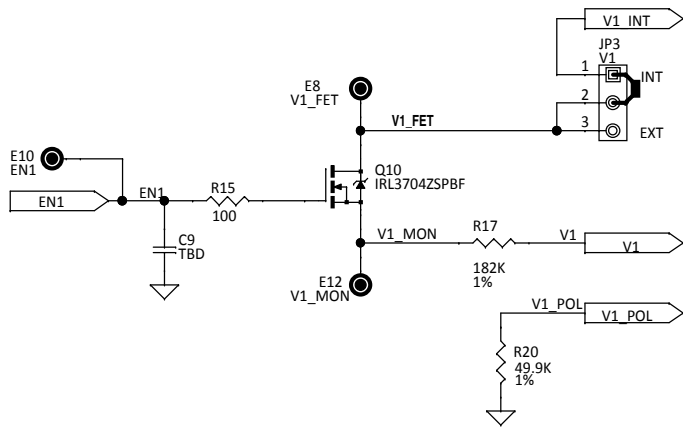
SIZE	IC NO.	REV.
N/A	LTC2928CUHF	1
Demo Circuit 1029B		

MODIFY DATE: Oct 20, 2015
 SHEET 1 OF 5




LED Display

APPROVALS		 LINEAR TECHNOLOGY 1630 McCarthy Blvd. Milpitas, CA 95035 www.linear.com Phone: (408)432-1900 Fax: (408)434-0507 <small>LTC CONFIDENTIAL - FOR CUSTOMER USE ONLY</small>	
PCB DES.	RB		
APP ENG.	Vlad Ostrerov	TITLE: SCHEMATIC Multichannel Power Supply Sequencer and Supervisor	
		SIZE	IC NO.
		N/A	LTC2928CUHF
		Demo Circuit 1029B	
SCALE = NONE		REV.	1
		MODIFY DATE:	Oct 20, 2015
		SHEET 2 OF 5	

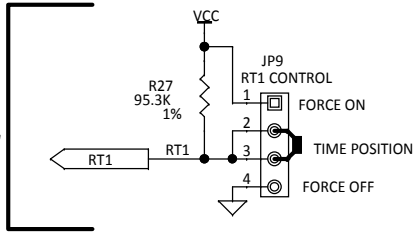


MOSFETS for Sequencing On Board Regulators or External Supplies

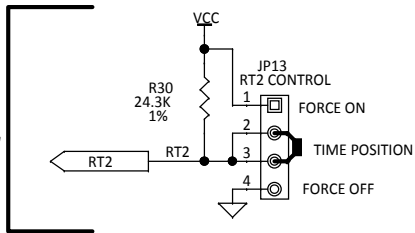
APPROVALS		 1630 McCarthy Blvd. Milpitas, CA 95035 www.linear.com Phone: (408)432-1900 Fax: (408)434-0507 LTC CONFIDENTIAL - FOR CUSTOMER USE ONLY		
PCB DES.	RB			
APP ENG.	Vlad Ostrerov	TITLE: SCHEMATIC Multichannel Power Supply Sequencer and Supervisor		
SCALE = NONE		SIZE N/A	IC NO. LTC2928CUHF Demo Circuit 1029B	REV. 1
		MODIFY DATE: Oct 20, 2015		SHEET 3 OF 5

Performance Adjustment

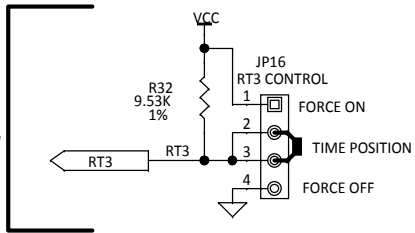
RT1 CONTROL



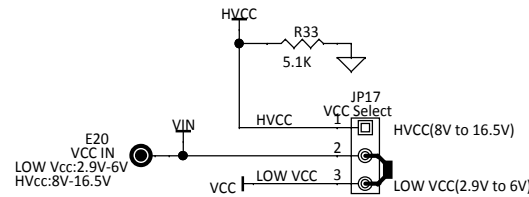
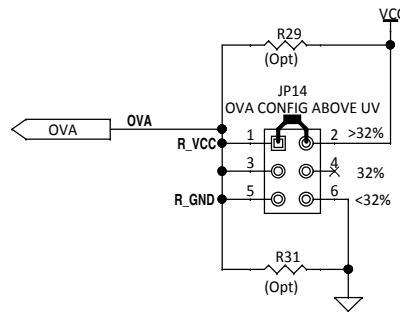
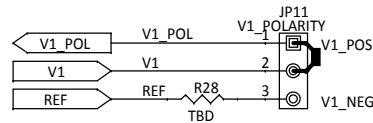
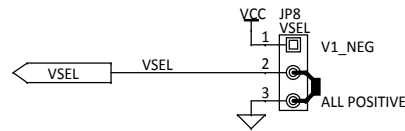
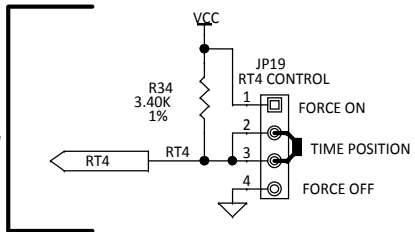
RT2 CONTROL



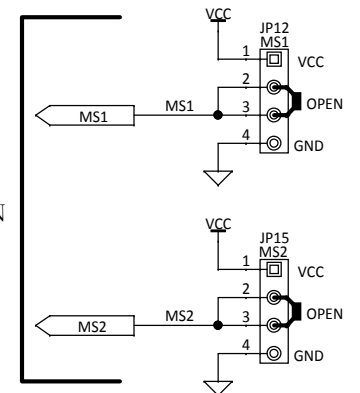
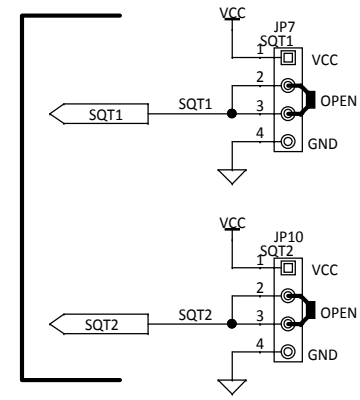
RT3 CONTROL



RT4 CONTROL

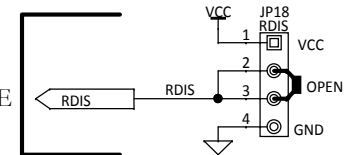


SEQUENCING THRESHOLD SELECTION



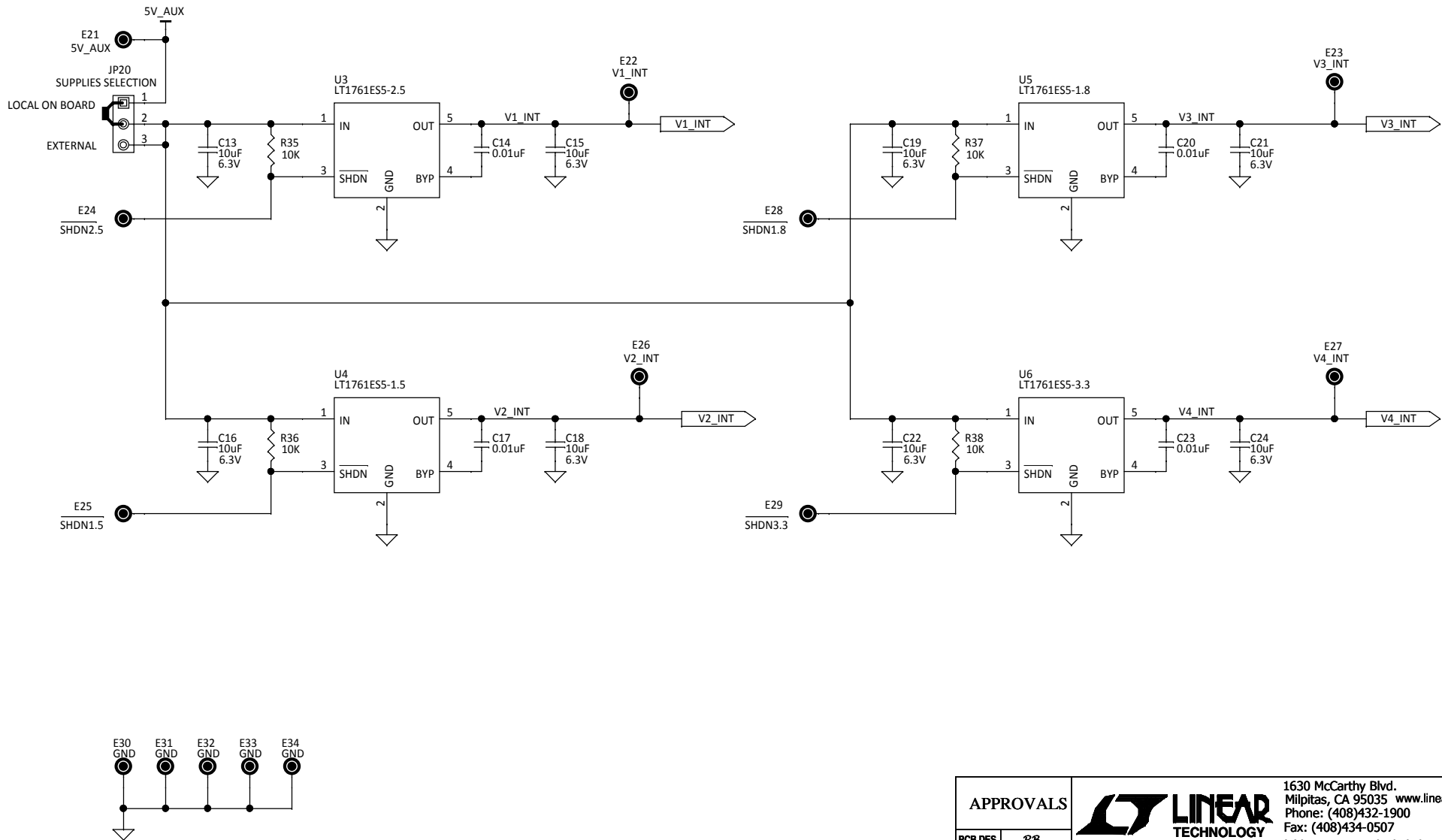
MASTER SLAVE CONFIGURATION


RESET DISABLE



APPROVALS			1630 McCarthy Blvd. Milpitas, CA 95035 www.linear.com Phone: (408)432-1900 Fax: (408)434-0507	
PCB DES.	RB		LTC CONFIDENTIAL - FOR CUSTOMER USE ONLY	
APP ENG.	Vlad Osterov	TITLE: SCHEMATIC Multichannel Power Supply Sequencer and Supervisor		
SCALE = NONE		SIZE	IC NO.	REV.
		N/A	LTC2928CUHF	1
		Demo Circuit 1029B		
		MODIFY DATE: Oct 20, 2015		SHEET 4 OF 5

On Board LT1761ES Regulators



APPROVALS			1630 McCarthy Blvd. Milpitas, CA 95035 www.linear.com Phone: (408)432-1900 Fax: (408)434-0507	
PCB DES.	RB		LTC CONFIDENTIAL - FOR CUSTOMER USE ONLY	
APP ENG.	Vlad Ostrerov	TITLE: SCHEMATIC Multichannel Power Supply Sequencer and Supervisor		
		SIZE	IC NO.	REV.
		N/A	LTC2928CUHF Demo Circuit 1029B	1
SCALE = NONE		MODIFY DATE: Oct 20, 2015		SHEET 5 OF 5