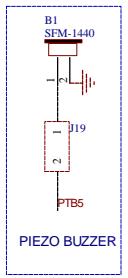
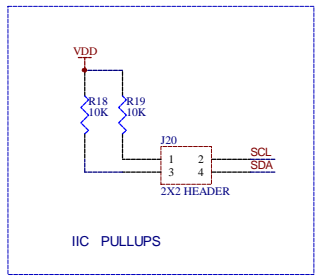
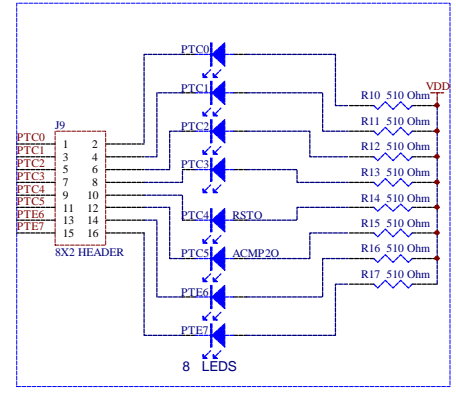
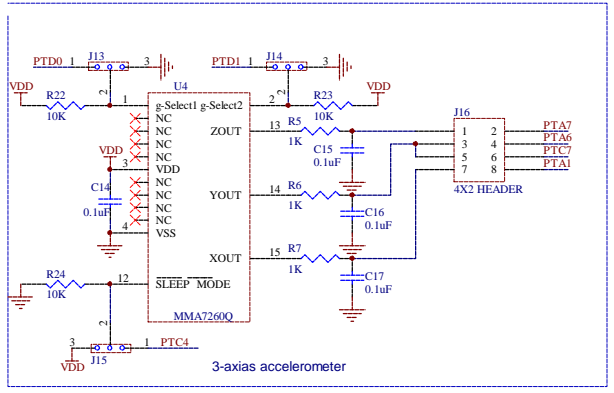
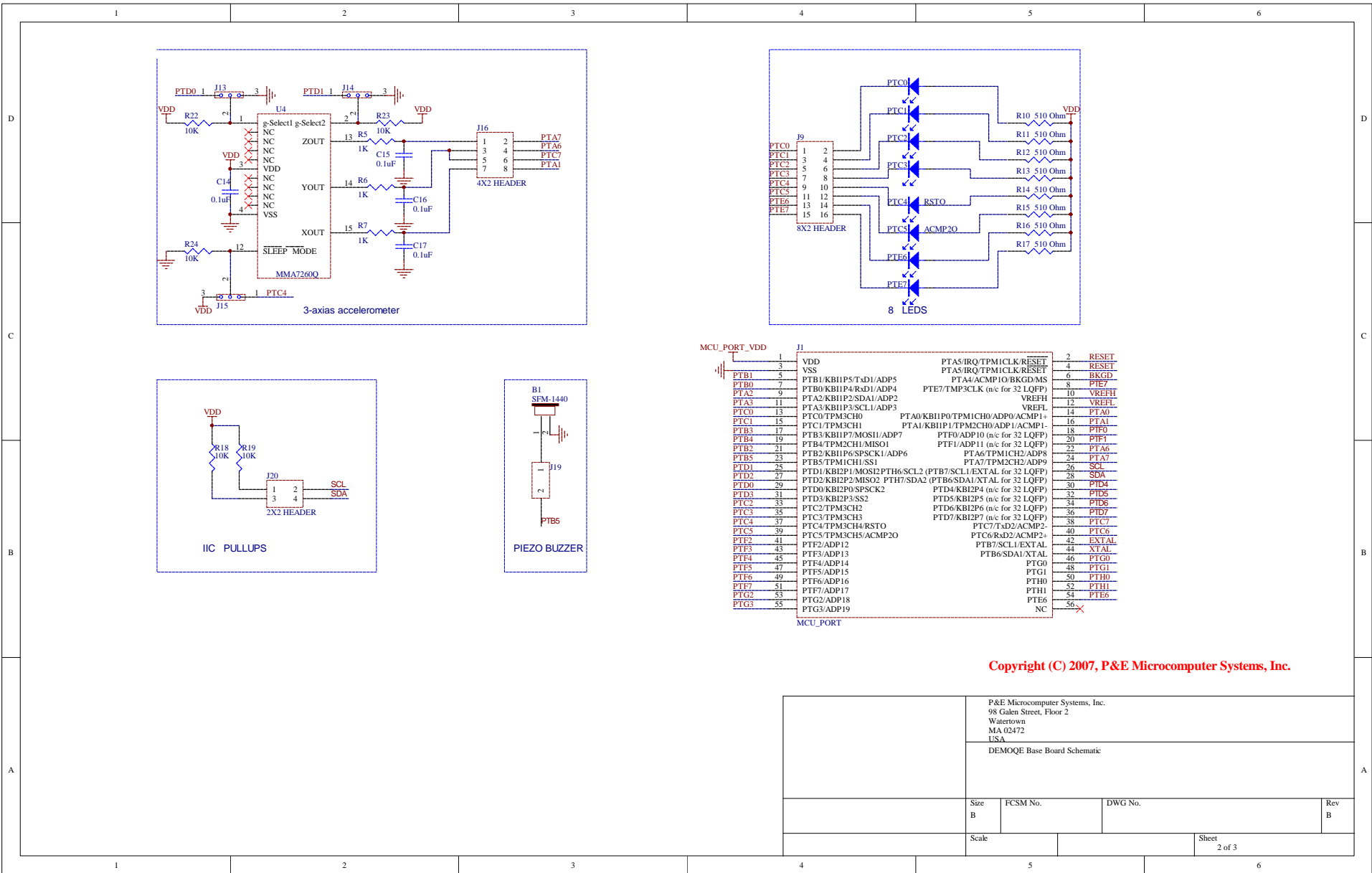


Copyright (C) 2007, P&E Microcomputer Systems, Inc.

P&E Microcomputer Systems, Inc.
 98 Galen Street, Floor 2
 Watertown
 MA 02472
 USA

DEMOQUE Base Board Schematic

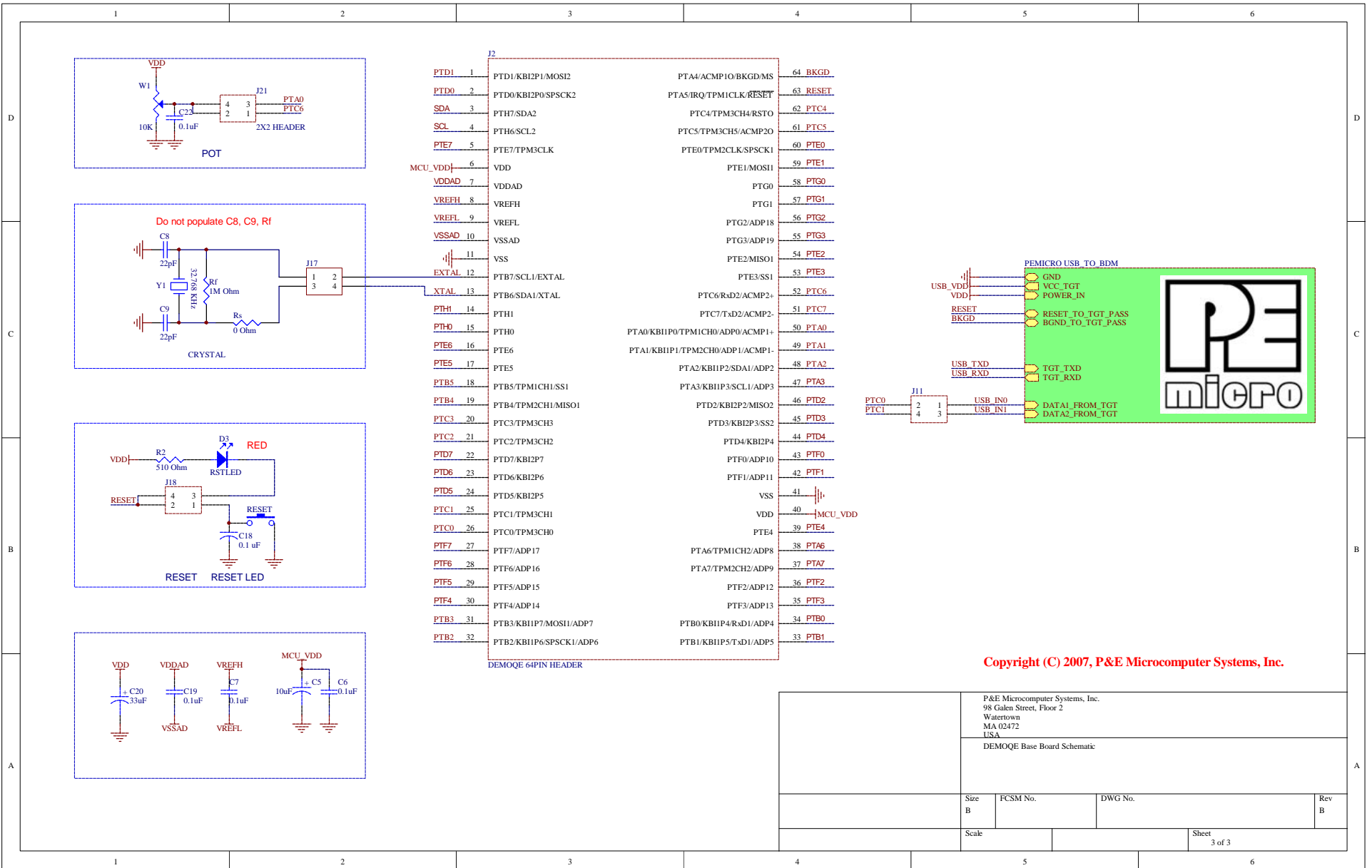
Size B	FCSM No.	DWG No.	Rev B
Scale		Sheet 1 of 3	



MCU_PORT_VDD	J1	MCU_PORT	J1	
VDD	1	PTA5/IRQ/TPMICLK/RESET	2	RESET
VSS	2	PTA5/IRQ/TPMICLK/RESET	4	RESET
PTB1	5	PTA4/ACMP10/BKGDMS	6	BKGD
PTB0	7	PTB0/KB1P4/Rd1/ADP4	8	PIE7
PTA2	9	PTA2/KB1P2/SDA1/ADP2	10	VREFH
PTA3	11	PTA3/KB1P3/SCL1/ADP3	12	VREFL
PTC0	13	PTC0/TPM3CH0	14	PTA0
PTC1	15	PTC1/TPM3CH1	16	PTA1
PTB3	17	PTB3/KB1P7/MOS11/ADP7	18	PTF0
PTB4	19	PTB4/TPM2CH1/MISO1	20	PTF1
PTB2	21	PTB2/KB1P6/SPSCK1/ADP6	22	PTA6
PTB5	23	PTB5/TPM1CH1/SS1	24	PTA7
PTD1	25	PTD1/KB1P1/MOS1P/PTH6/SCL2 (PTB7/SCL1/EXTAL for 32 LQFP)	26	SCL
PTD2	27	PTD2/KB1P2/MISO2	28	SDA
PTD0	29	PTD0/KB1P0/SPSCK2	30	PTD4
PTD3	31	PTD3/KB1P3/SS2	32	PTD5
PTC2	33	PTC2/TPM3CH2	34	PTD6
PTC3	35	PTC3/TPM3CH3	36	PTD7
PTC4	37	PTC4/TPM3CH4/RSTO	38	PTC7
PTC5	39	PTC5/TPM3CH5/ACMP20	40	PTC6
PTF2	41	PTF2/ADP12	42	EXTAL
PTF3	43	PTF3/ADP13	44	XTAL
PTF4	45	PTF4/ADP14	46	PTG0
PTF5	47	PTF5/ADP15	48	PTG1
PTF6	49	PTF6/ADP16	50	PTH0
PTF7	51	PTF7/ADP17	52	PTH1
PTG2	53	PTG2/ADP18	54	PTG6
PTG3	55	PTG3/ADP19	56	PTG6
			NC	×

Copyright (C) 2007, P&E Microcomputer Systems, Inc.

P&E Microcomputer Systems, Inc. 98 Galen Street, Floor 2 Watertown MA 02472 USA		DEMOQUE Base Board Schematic	
Size B	FCSM No.	DWG No.	Rev B
Scale			Sheet 2 of 3



Copyright (C) 2007, P&E Microcomputer Systems, Inc.

P&E Microcomputer Systems, Inc.
98 Galen Street, Floor 2
Watertown
MA 02472
USA

DEMOQE Base Board Schematic

Size B	FCSM No.	DWG No.	Rev B
Scale	Sheet 3 of 3		