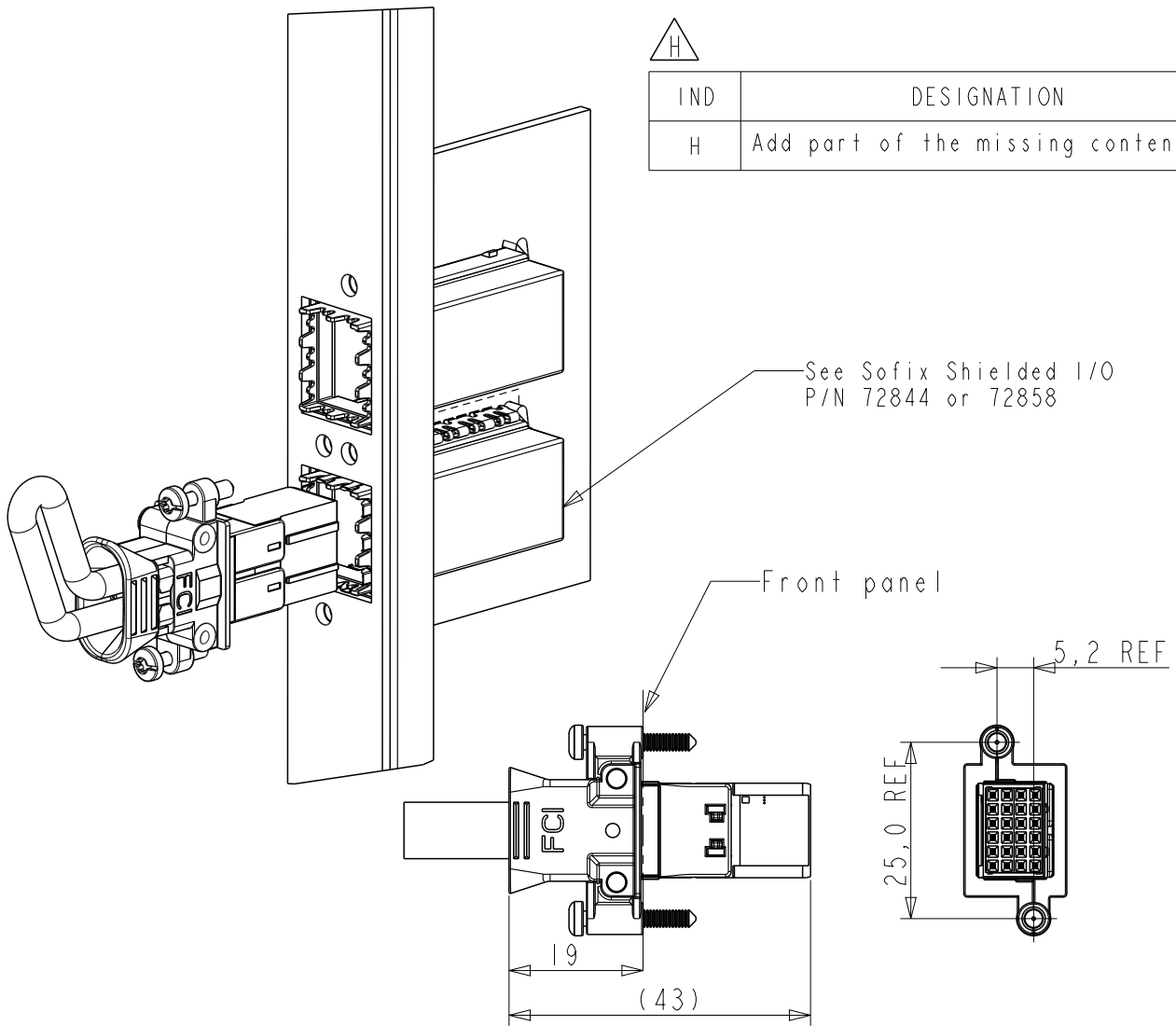




IND	DESIGNATION
H	Add part of the missing content



- MATERIAL
- 1 TERMINAL BLOCK... 30% GLASS FILLED POLYESTER
 - 2 SHROUD... 30% GLASS FILLED POLYAMIDE
FLAME RETARDANT ACC. TO UL-94
 - 3 COVER... ZINC ALLOY
 - 4 TERMINAL... TINBRONZE
 - 5 FERRULE... TINBRONZE
 - 6 SCREW... STEEL
 - 7 RIVET... BRASS

PRODUCT SPECIFICATION: GS-12-308
 PACKAGING SPECIFICATION: EUR-14-008
 APPLICATION SPECIFICATION: GS-20-050

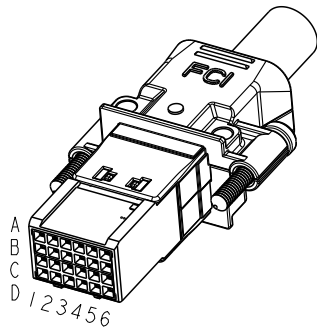
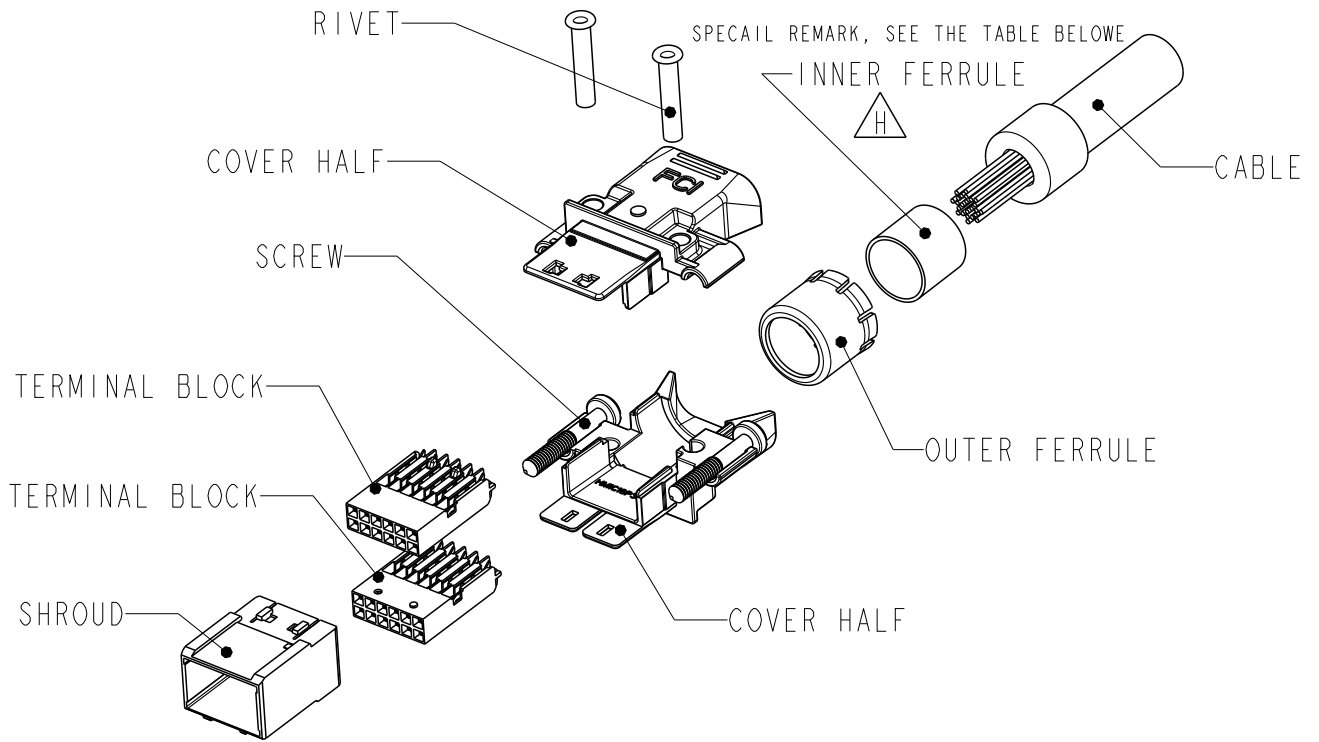
8-ROHS INFORMATIONS:

-This product meets European Union Directives and other country regulations as described in GS-22-008.
 -Packaging spec: see GS-14-920.

spec ref	RELEASED		
tolerance std	TOLERANCES UNLESS OTHERWISE SPECIFIED		
ISO 406			
ISO 1101			
surface	linear	0.X	±0.3
		0.XX	±0.1
		0.XXX	±0.05
	angular	0°	±2°
ISO 1302			

Performance level	
HMIC16D-J110EBLF	Customer Special

dr	Andy Zhang	2010/11/04	projection 	mm ←→	size	A4	scale	1/1	
eng	Nick Zhang	2017/08/03			ecn no	ELX-N-27605-1			
chr	-	-			rel level	Released			
appr	Tim Yao	2017/08/03	product family	METRAL SOFIX					
Amphenol FCI	title	24 pos. shielded CC			dwg no	BSA202877001		rev	H
	IDC								
	cat. no.	SEE TABLE	Product - Customer Drw			sheet 1 of 3			



INNER FERRULES (to be ordered separately)	Approved cables	Maximum External Ø Cable
HMIC01CR02BLF	4 PAIRS, 26 AWG CONDUCTOR DIA: 0.4 mm	8.85
HMIC01CR03BLF	12 PAIRS, 26 AWG CONDUCTOR DIA: 0.4 mm	6.60
HMIC01CR04BLF	4 CONDUCTORS, 26 AWG CONDUCTOR DIA: 0.4 mm	5.60
HMIC01CR05BLF	4 PAIRS, 26 AWG CONDUCTOR DIA: 0.4 mm	4.9
HMIC01CR06BLF	4 PAIRS, 26 AWG CONDUCTOR DIA: 0.4 mm	7.85
HMIC01CR07BLF	12X2 PAIRS, 26 AWG CONDUCTOR DIA: 0.4 mm	
	8 PAIRS, 26 AWG CONDUCTOR DIA: 0.4 mm	7.0

spec ref	RELEASED		
tolerance std	TOLERANCES UNLESS OTHERWISE SPECIFIED		
ISO 406			
ISO 1101			
surface	linear	0.X	±0.3
		0.XX	±0.1
		0.XXX	±0.05
	angular	0°	±2°
ISO 1302			

dr	Andy Zhang	2010/11/04	projection 	mm 	size	A4	scale	1/1	
eng	Nick Zhang	2017/08/03			ecn no	ELX-N-27605-1			
chr	-	-			rel level	Released			
appr	Tim Yao	2017/08/03	product family						
Amphenol FCi	title	24 pos. shielded CC			dwg no	BSA202877001		rev	H
	cat. no.				Product - Customer Drw		sheet 2 of 3		

LEAD-FREE PRODUCTS:(see note 8)

Kit: HMIC16D-J110EBLF		
COMPONENTS	CONSISTS OF:	QTY
SHROUD	HMISHIBLF	1
COVER HALF	HMIC16P36LF	1
COVER HALF	HMIC16P38LF	1
RIVET	HPTE1624LF	2
SCREW	HPTE1623LF	2
TERMINAL BLOCK LEFT	HMIC16D*0L10EBLF	1
TERMINAL BLOCK RIGHT	HMIC16D*0R10EBLF	1
OUTER FERRULE	HMIC01CR01LF	1

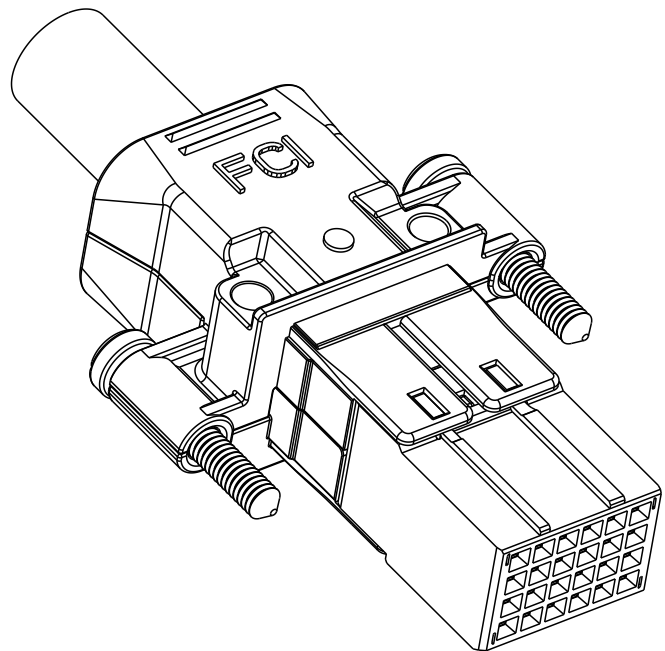


Catalog Number	AWG* (Apply to wire diameter)
HMIC16D0J110EBLE	28 AWG or 30 AWG
HMIC16D2J110EBLE	24 AWG or 26 AWG



Dimension with oval around are critical dimensions including any attached geometrical tolerance. Other features or stand-alone geometrical tolerances being critical have a note "CRITICAL FEATURE" below the item

A symbol $\triangle x$ (x: drawing current revision) will be next to any dimension, view or note which has been modified with the current drawing revision



Amphenol
FCi

© 2016 AFCI

spec ref	RELEASED		
tolerance std	TOLERANCES UNLESS OTHERWISE SPECIFIED		
ISO 406			
ISO 1101			
surface	linear	0.X	±0.3
		0.XX	±0.1
		0.XXX	±0.05
	angular	0°	±2°
ISO 1302			

dr	Andy Zhang	2010/11/04	projection	mm	size	A4	scale	1/1
eng	Nick Zhang	2017/08/03			ecn no	ELX-N-27605-1		
chr	-	-				rel level	Released	
appr	Tim Yao	2017/08/03	product family	METRAL SOFIX				
Amphenol FCI	title	24 pos. shielded CC		dwg no	BSA202877001		rev	H
	cat. no.	SEE TABLE	Product - Customer Drw		sheet 3 of 3			