

## Customer Part:



### Description

- Suitable for real time clock applications  
32.768kHz output crystal oscillators  
Ceramic package with a seam sealed metal lid, hermetically sealed
- Model CFPS-108
- Model Issue number 5

### Frequency Parameters

- Frequency 32.7680kHz
- Frequency Stability  $\pm 50.00\text{ppm}$
- Operating Temperature Range  $-40.00$  to  $85.00^\circ\text{C}$
- Ageing  $\pm 3\text{ppm}$  max per year

### Electrical Parameters

- Supply Voltage  $2.5\text{V} \pm 5\%$
- Current Draw  $2.500\text{mA}$

### Output Details

- Output Compatibility CMOS
- Drive Capability  $15\text{pF}$  max
- Rise and Fall Time  $50.0\text{ns}$  max
- Duty Cycle  $40/60\%$

### Output Control

- Standby Operation:  
Logic '1' to pad 1 enables oscillator output  
Logic '0' to pad 1 disables oscillator output; when disabled the oscillator output goes to the high impedance state  
No connection to pad 1 enables oscillator output
- Start-up Time:  $35\text{ms}$  max  
 $2\text{ms}$  typ to 90% of final amplitude (under ideal conditions @  $25^\circ\text{C}$ )
- Standby Current:  $10\mu\text{A}$  max,  $1.35\mu\text{A}$  typ @  $25^\circ\text{C}$

### Environmental Parameters

- Storage Temperature Range:  $-55$  to  $125^\circ\text{C}$
- Shock: MIL-STD-883F, Method 2002.4:  $1500\text{G}$ ,  $0.5\text{ms}$ , 3 times in each of 3 mutually perpendicular planes.
- Vibration: MIL-STD-883F, Method 2007.3:  $20\text{G}$  ( $20\text{Hz}$ - $2000\text{Hz}$ ),  $1.52\text{mm}$  amplitude

### Manufacturing Details

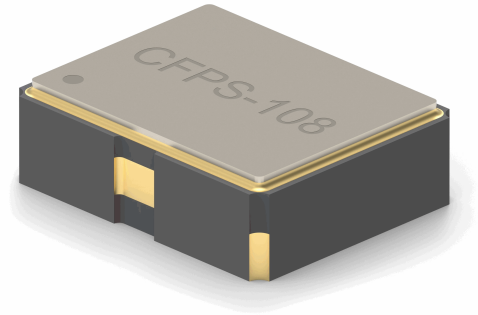
- RoHS Terminations NiAu
- RoHS Reflow Temp  $260\text{degC}$  10s

### Compliance

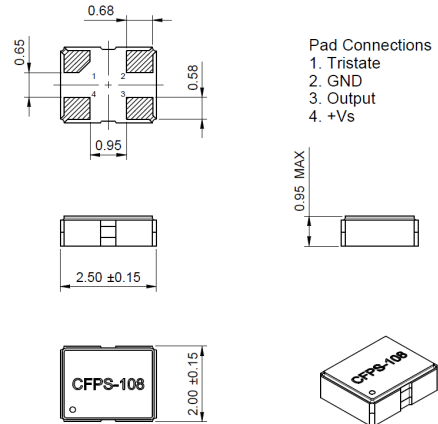
- RoHS Status (2015/863/EU) Compliant
- REACH Status Compliant
- MSL Rating (JDEC-STD-033): Not Applicable

### Packaging Details

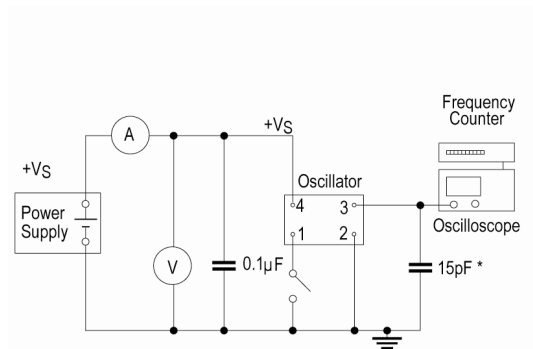
- Pack Style: Reel Tape & reel in accordance with EIA-481-D  
Pack Size: 1,000
- *Alternative packing option available*



### Outline (mm)



### Test Circuit



\* Inclusive of jigging and equipment capacitance

### Sales Office Contact Details:

UK: +44 (0)1460 270200

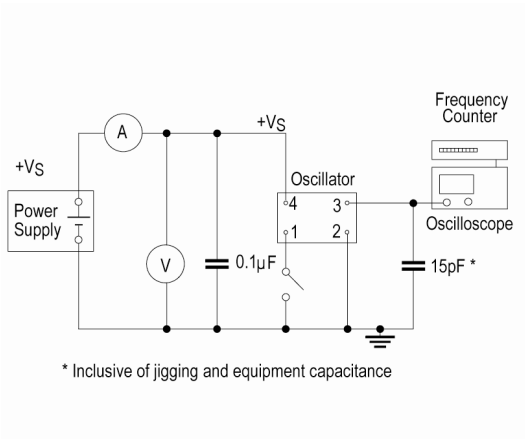
USA: +1.760 668 8935

Email: [info@iqdfrequencyproducts.com](mailto:info@iqdfrequencyproducts.com)

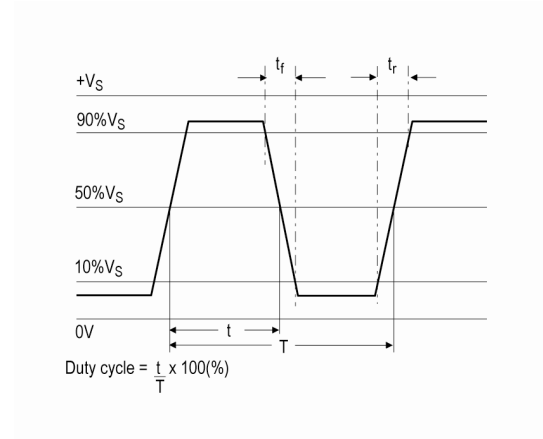
Web: [www.iqdfrequencyproducts.com](http://www.iqdfrequencyproducts.com)

**Customer Part:**

**Test Circuit**



**Wave Form**



**Sales Office Contact Details:**

UK: +44 (0)1460 270200

USA: +1.760 668 8935

Email: [info@iqdfrequencyproducts.com](mailto:info@iqdfrequencyproducts.com)

Web: [www.iqdfrequencyproducts.com](http://www.iqdfrequencyproducts.com)