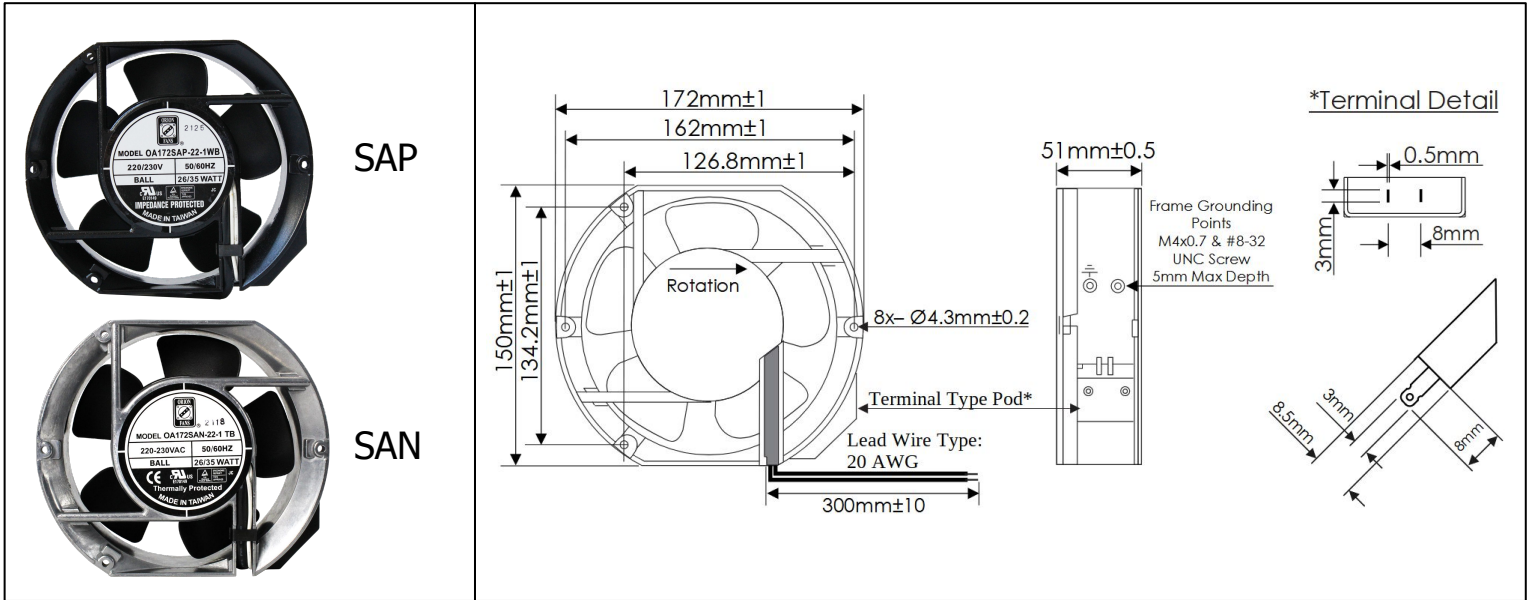


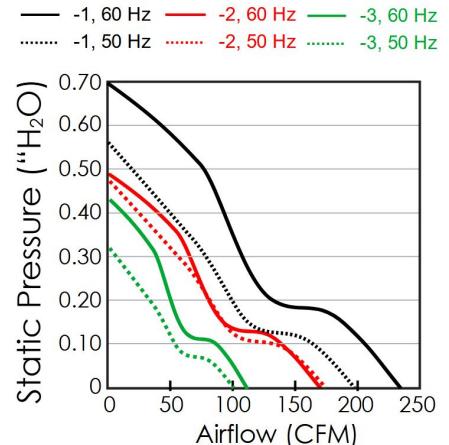
OA172SA Series



AC Fans - 115, 230V
172mm x 150mm x 51mm (6.8" x 5.9" x 2.0")



Frame	Die Cast Aluminum, Black Painted or Natural Aluminum Finish	Operating Temperature -20°C ~ +70°C Storage Temperature -40°C ~ +100°C Life Expectancy 60,000 Hours (L10 at 40°C) Weight: 2.7 lbs.
Impeller	PBT, UL94 V-0 Plastic	
Connection	2x Lead Wires, 20 AWG, or Terminals	
Motor	Capacitor Induction, Single Phase, Auto Cutoff, Auto Reset, Thermally Protected	
Bearing System	Ball Bearings	
Dielectric Strength	1500VAC/min, <5mA	
Insulation Resistance	≥100MΩ @ 500 VDC	



Part Number	Rated Voltage (Volts AC)	Voltage Range (Volts AC)	Frequency (Hertz)	Input Power (Watts)	Rated Speed (RPM)	Max Airflow (CFM)	Noise Level (dBA)	Max Static Pressure ("H ₂ O)
OA172SA*-11-1**	115	100 ~ 130	50 / 60	26 / 35	2675 / 3150	198 / 235	50.3 / 52.1	0.56 / 0.70
OA172SA*-11-2**	115	100 ~ 130	50 / 60	22 / 20	2325 / 2300	173 / 170	40.6 / 39.8	0.48 / 0.49
OA172SA*-11-3**	115	100 ~ 130	50 / 60	18 / 16	1350 / 1700	100 / 115	31.3 / 33.2	0.31 / 0.43
OA172SA*-22-1**	230	200 ~ 260	50 / 60	26 / 35	2675 / 3150	198 / 235	50.3 / 52.1	0.56 / 0.70
OA172SA*-22-2**	230	200 ~ 260	50 / 60	22 / 20	2325 / 2300	173 / 170	40.6 / 39.8	0.48 / 0.49
OA172SA*-22-3**	230	200 ~ 260	50 / 60	18 / 16	1350 / 1700	100 / 115	31.3 / 33.2	0.31 / 0.43

* Substitute "P" for Black Painted frame, or "N" for Natural Aluminum frame.
** Substitute "TB" for terminal type, or "WB" for wire lead type.