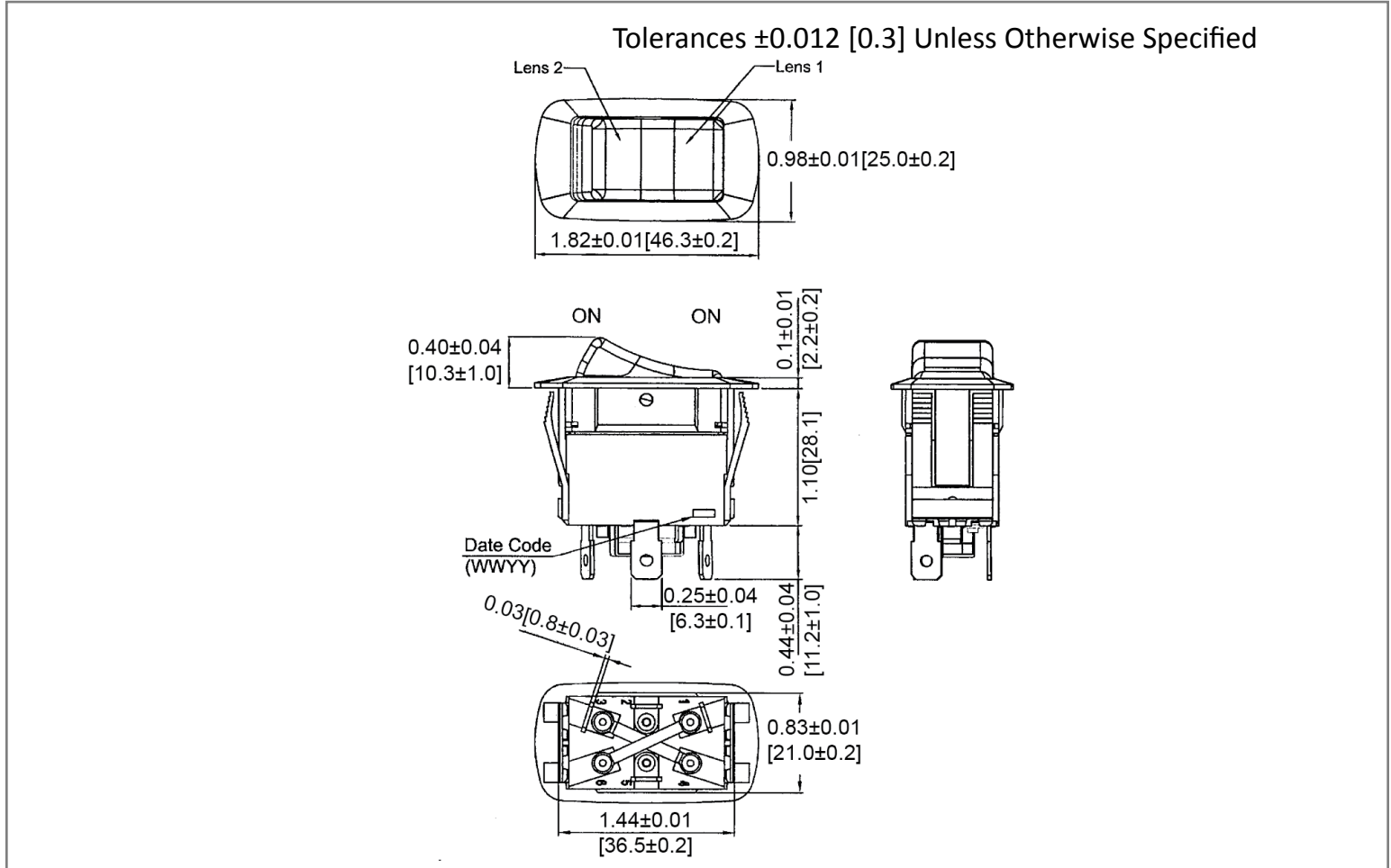
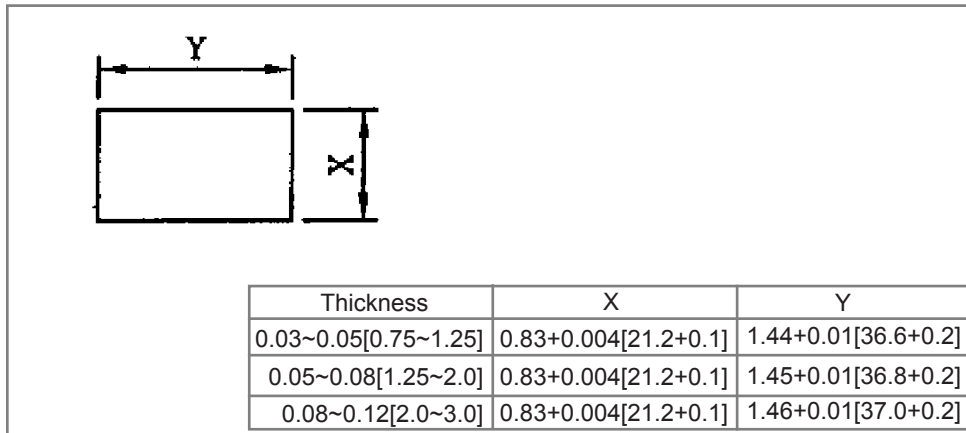


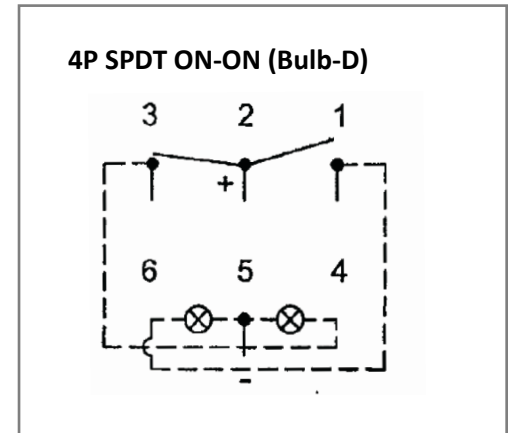
Mechanical Dimensions: Inches [mm]



Mounting Hole



Circuit Diagram



Electrical Specifications

Rating	21A 14V DC				
Contact Resistance	50m ohm Max				
Insulation Resistance	DC 500V 100M ohm Min				
Dielectric Strength	AC 1500V 1minute				
Operation Temperature	-20°C~85°C				

Material Specifications

Frame	Black, Nylon #66
Lens 1	PC, Red
Lens 2	PC, Green
Actuator	Black, Nylon 66 +33%GF
	IP-56

Rev **Date of issue** **Revision Notes**

Designed **Approved**

B	02-26-2020	Initial Drawing	RC	OF
---	------------	-----------------	----	----