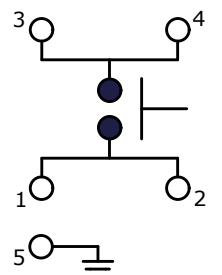


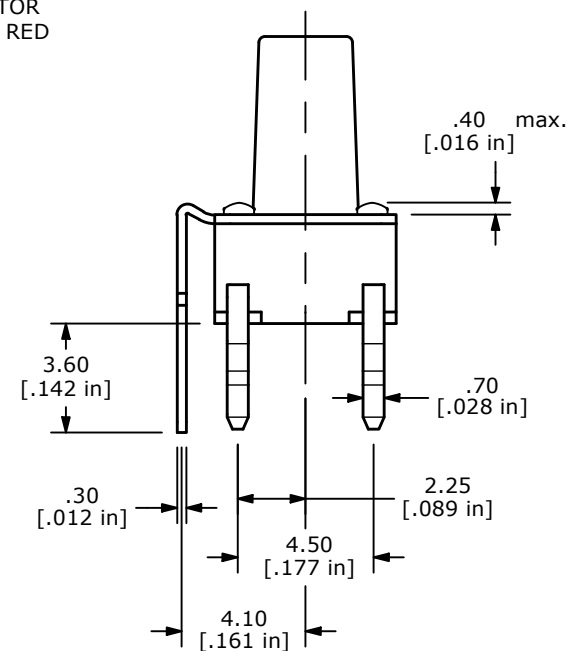
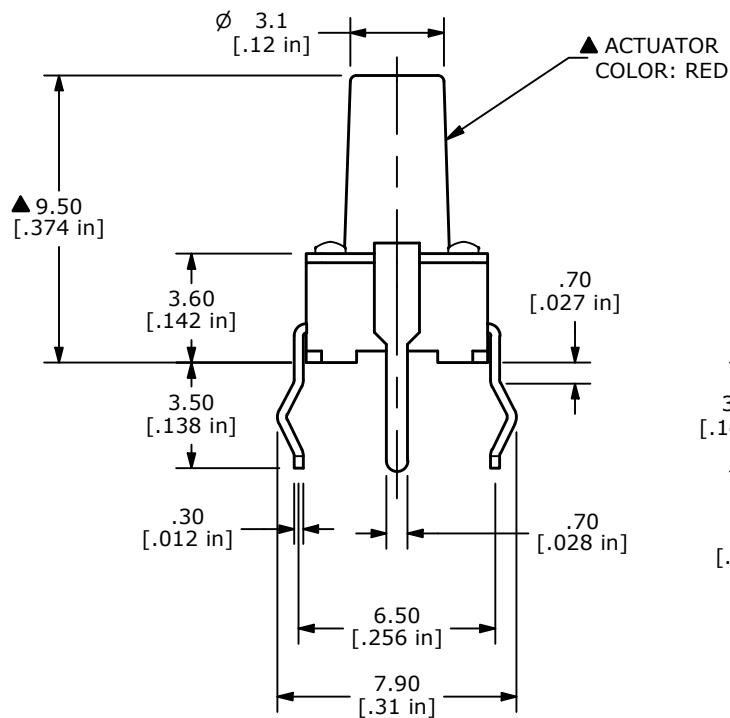
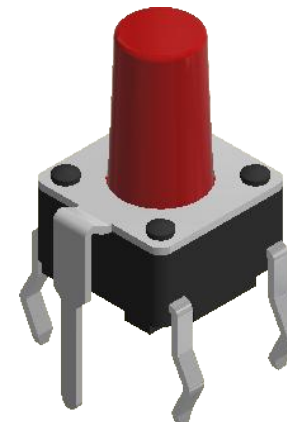
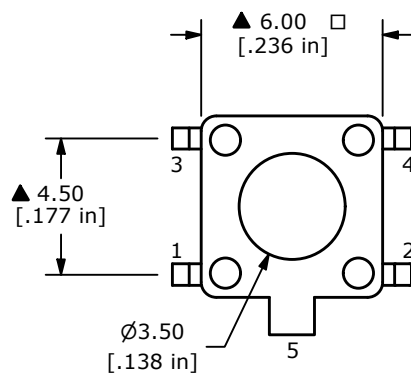
P.C. LAYOUT



CIRCUIT: SPST ▲

NOTES:

1. ALL DIMENSIONS IN MM [INCH]
2. GENERAL TOLERANCE: X.X = ±0.4
X.XX = ±0.25
3. TERM. NUMBERS FOR REF. ONLY.
4. RATING: 50mA @ 12VDC
- ▲5. OPERATING FORCE: 250 ± 50gf
6. TRAVEL: 0.25 +0.2/-0.1mm
7. CONTACT RESISTANCE: 100 mΩ MAX.
- ▲8. CONTACT MATERIAL: SILVER
9. DIELECTRIC STRENGTH: 250V RMS min.
10. INSULATION RESISTANCE: 100 MEGAΩ min.
11. ELECTRICAL LIFE: 100,000 CYCLES
12. ▲ DENOTES CRITICAL PARAMETER.
13. OPERATING TEMP: -40°C to 85°C
14. PACKAGE: POLYBAG / 750 PIECES PER BAG



TITLE TLE1105BF250Q				
SCALE 4:1	DATE 12/1/1998	DR MM	DWG P010033	REV B

B	24509	CHANGE OPERATING TEMPERATURE	10/5/20	JM
REV	PCR NO	DESCRIPTION	DATE	BY

THE INFORMATION CONTAINED IN THIS DOCUMENT IS PROPRIETARY TO E-SWITCH AND IS NOT TO BE COPIED OR TRANSFERRED