

6

5

4

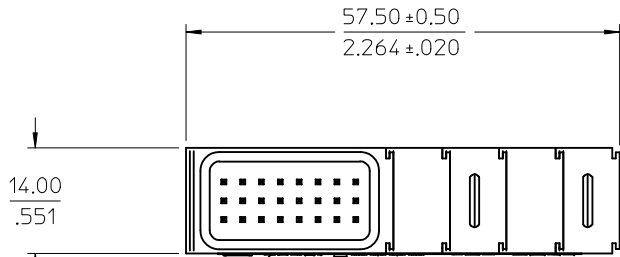
3

2

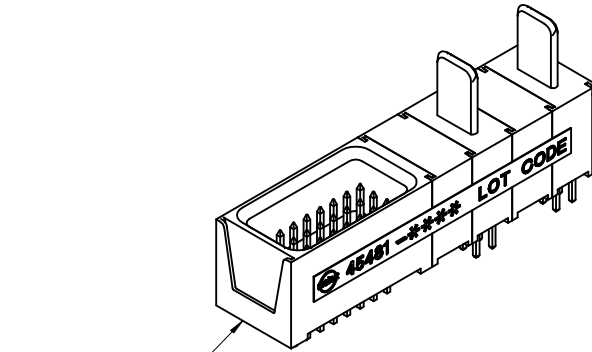
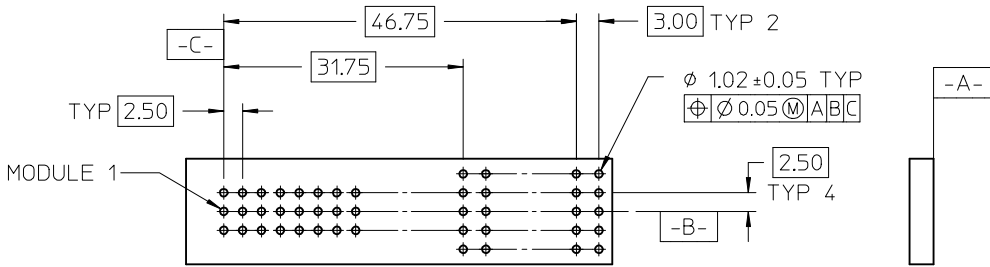
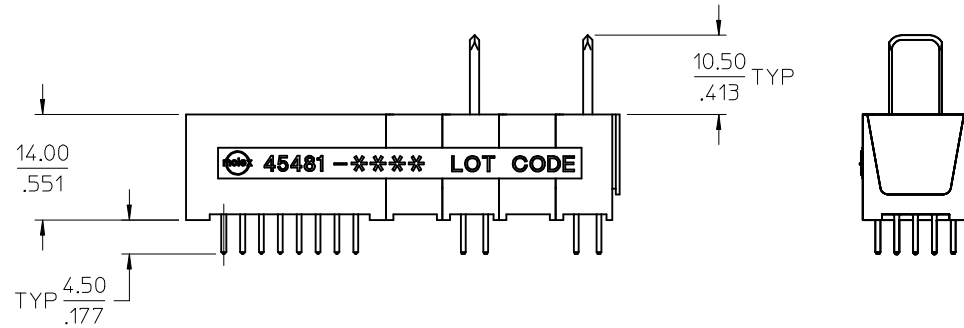
1

NOTES:

- 1. MATERIAL: LCP, GLASS FILLED, UL94V-0, BLACK.
CONTACTS: COPPER ALLOY
- 2. FINISH: SELECT GOLD: 30 MI MIN.
SELECT TIN: 100 MI MIN.
BOTH OVER NICKEL.
- 3. PRODUCT SPECIFICATION: PS-45424-001.
- 4. PACKAGING SPECIFICATION: PK-45481-001.



MODULE 1



MODULE 1

PD 300	PD 511	PD 101	PD 511	PD 101
--------	--------	--------	--------	--------

PCB LAYOUT: COMPONENT SIDE
 PCB THICKNESS: 3.18/.125
 PCB TOLERANCE: ±0.05/.002

ADDED STANDOFFS EC NO: UCP2006-0519 DRWN: ADRATNOL 2005/09/12 CHKD: KSAWIEC 2005/09/15 APPR: APATEL 2005/09/15	DESCRIPTION
	REV
	B

GENERAL TOLERANCES (UNLESS SPECIFIED)		
	mm	INCH
4 PLACES	± ---	± ---
3 PLACES	± ---	± .010
2 PLACES	± 0.25	± .015
1 PLACE	± 0.38	± ---
ANGULAR ±1/2°		
DRAFT WHERE APPLICABLE MUST REMAIN WITHIN DIMENSIONS		

DIMENSION STYLE	
MM/IN	
DRAWN BY	DATE
ADRATNOL	2005/07/07
CHECKED BY	DATE
JSCHAFFER	2005/07/07
APPROVED BY	DATE
APATEL	2005/07/07
MATERIAL NO.	
45481-0192	
SIZE	
A	

SCALE	DESIGN UNITS	THIRD ANGLE PROJECTION
1:1	METRIC	
TITLE		
POWER DOCK ASSEMBLY POWER VERTICAL SOLDER TAIL		
molex MOLEX INCORPORATED		
DOCUMENT NO.	SHEET NO.	
SD-45481-192	1 OF 1	

5

4

3

2

1