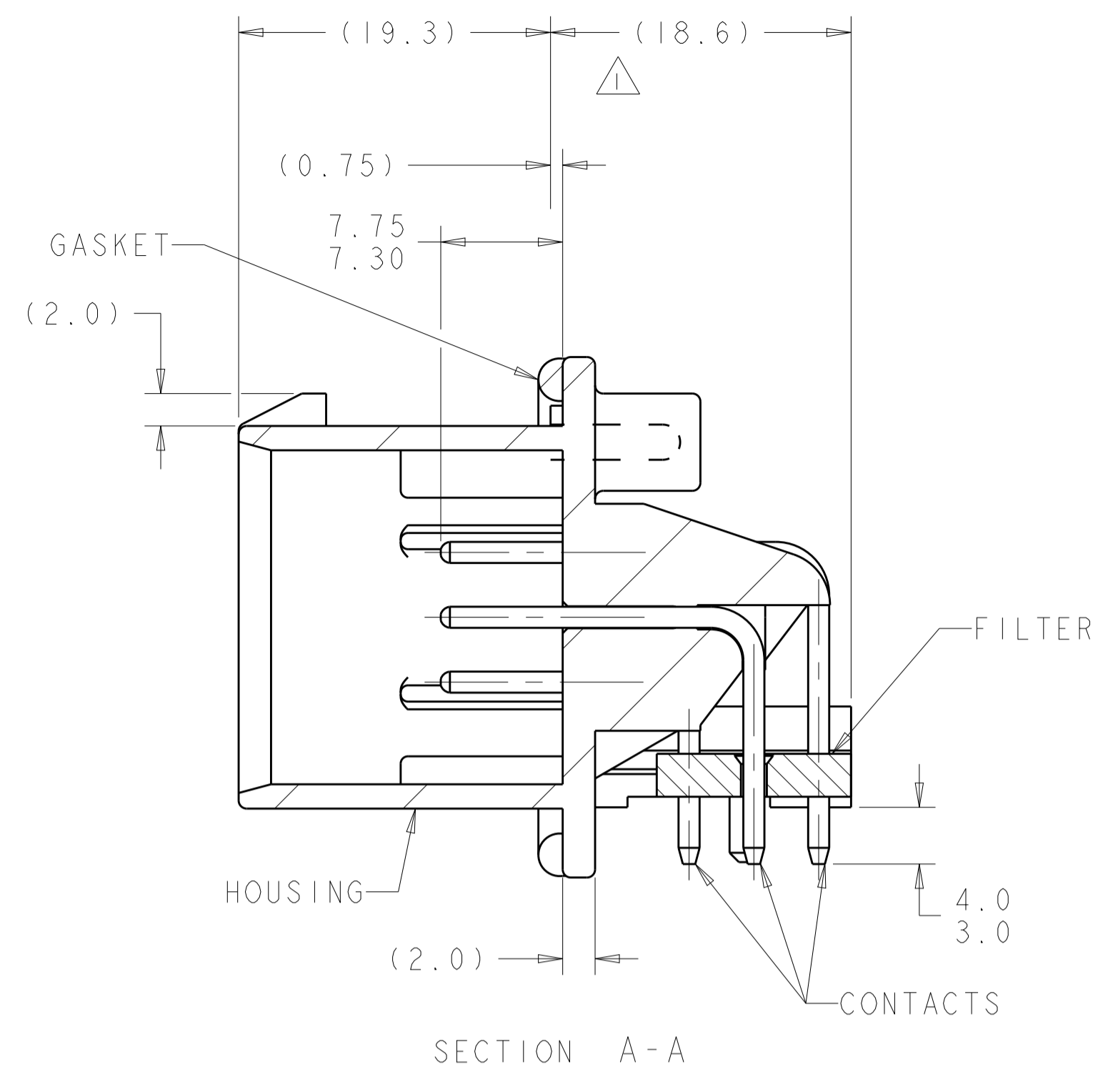
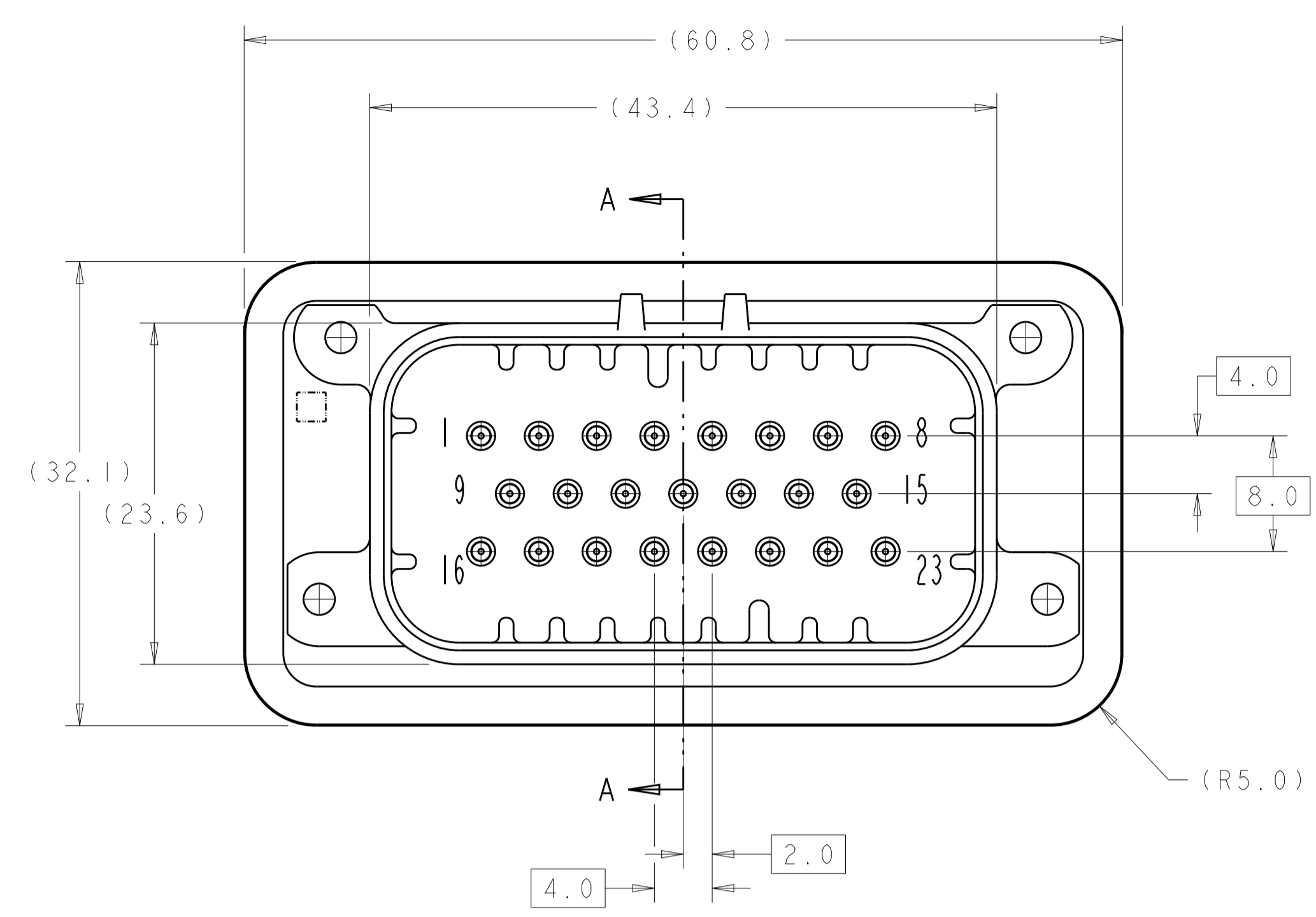
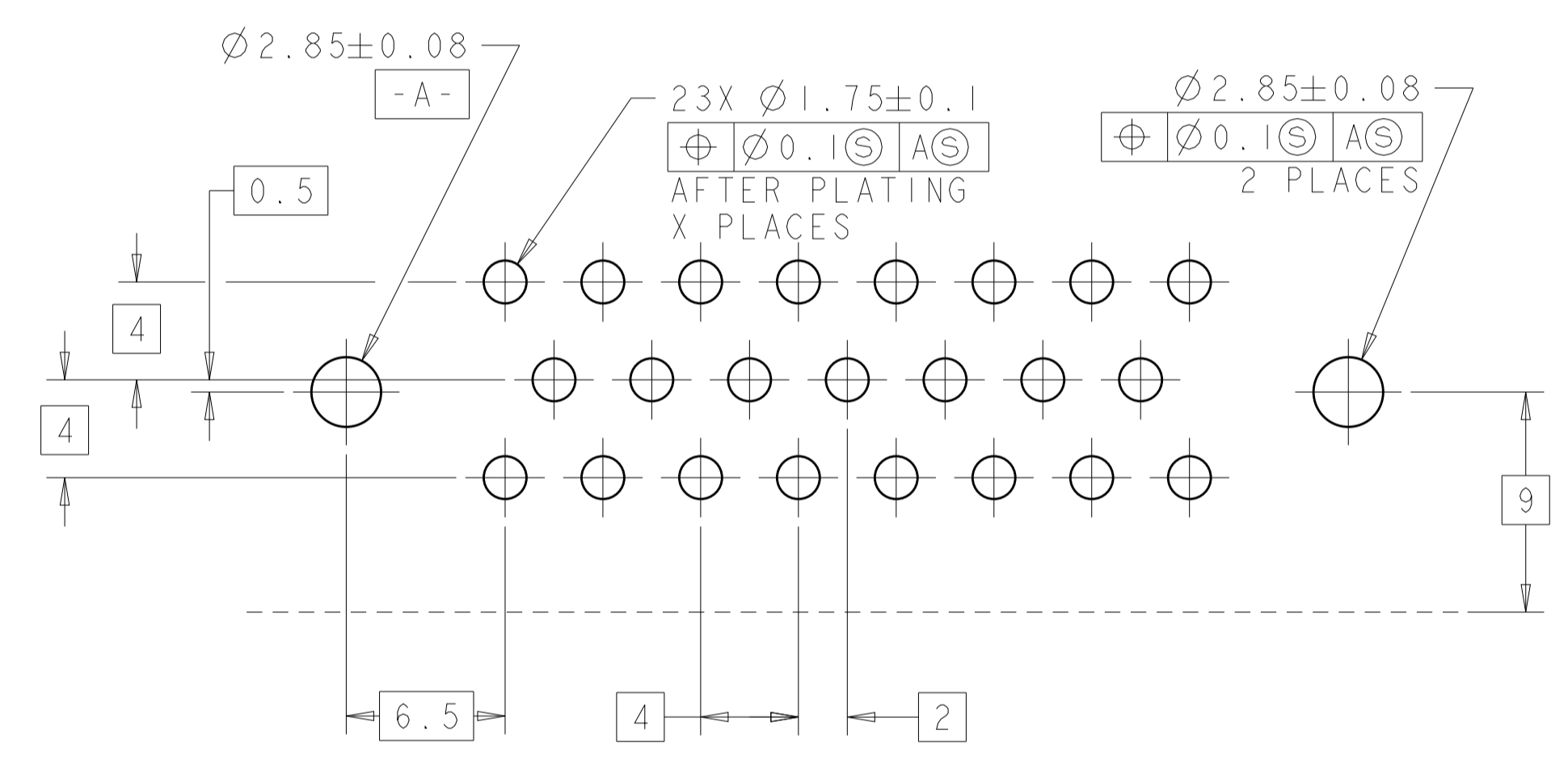
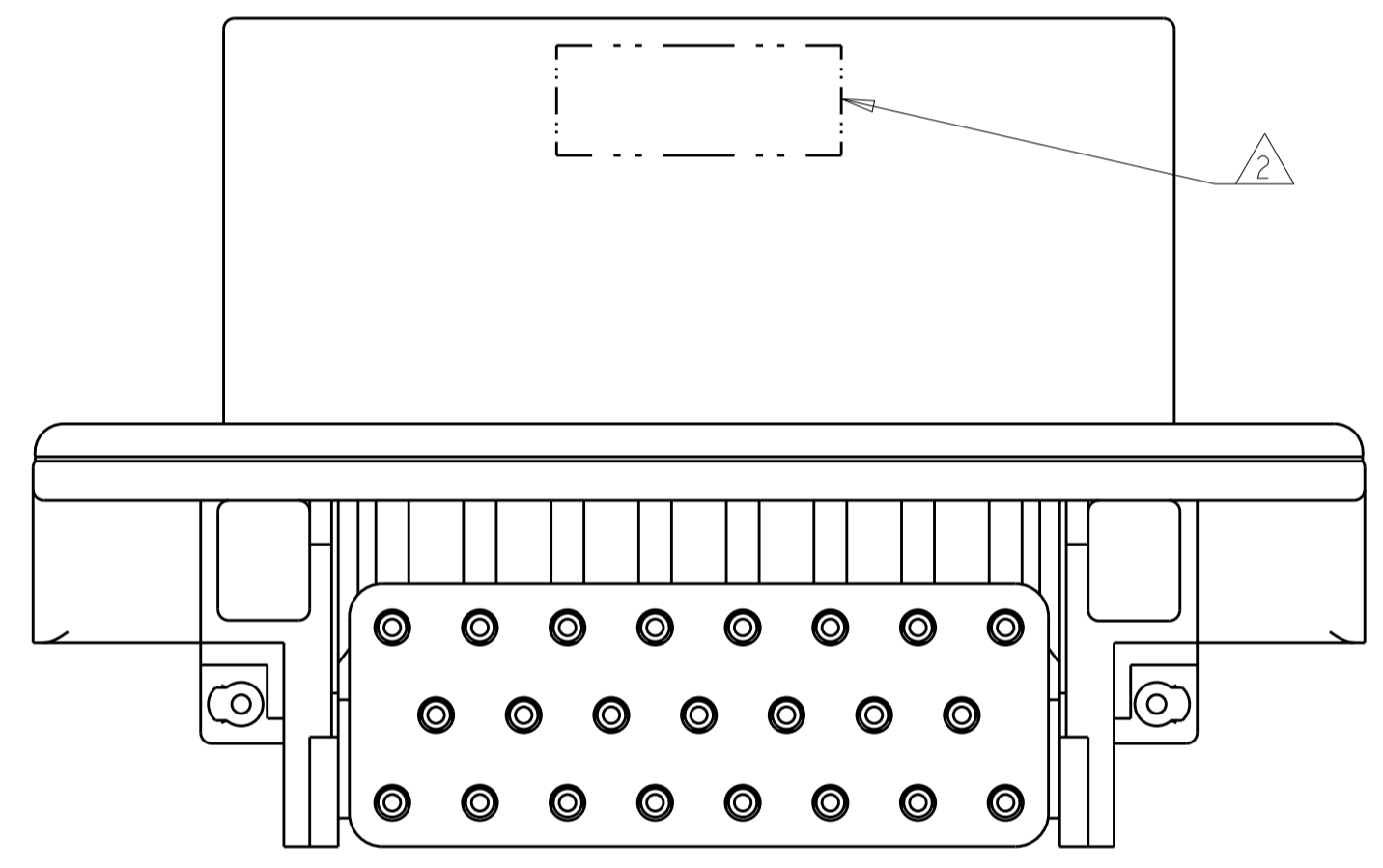


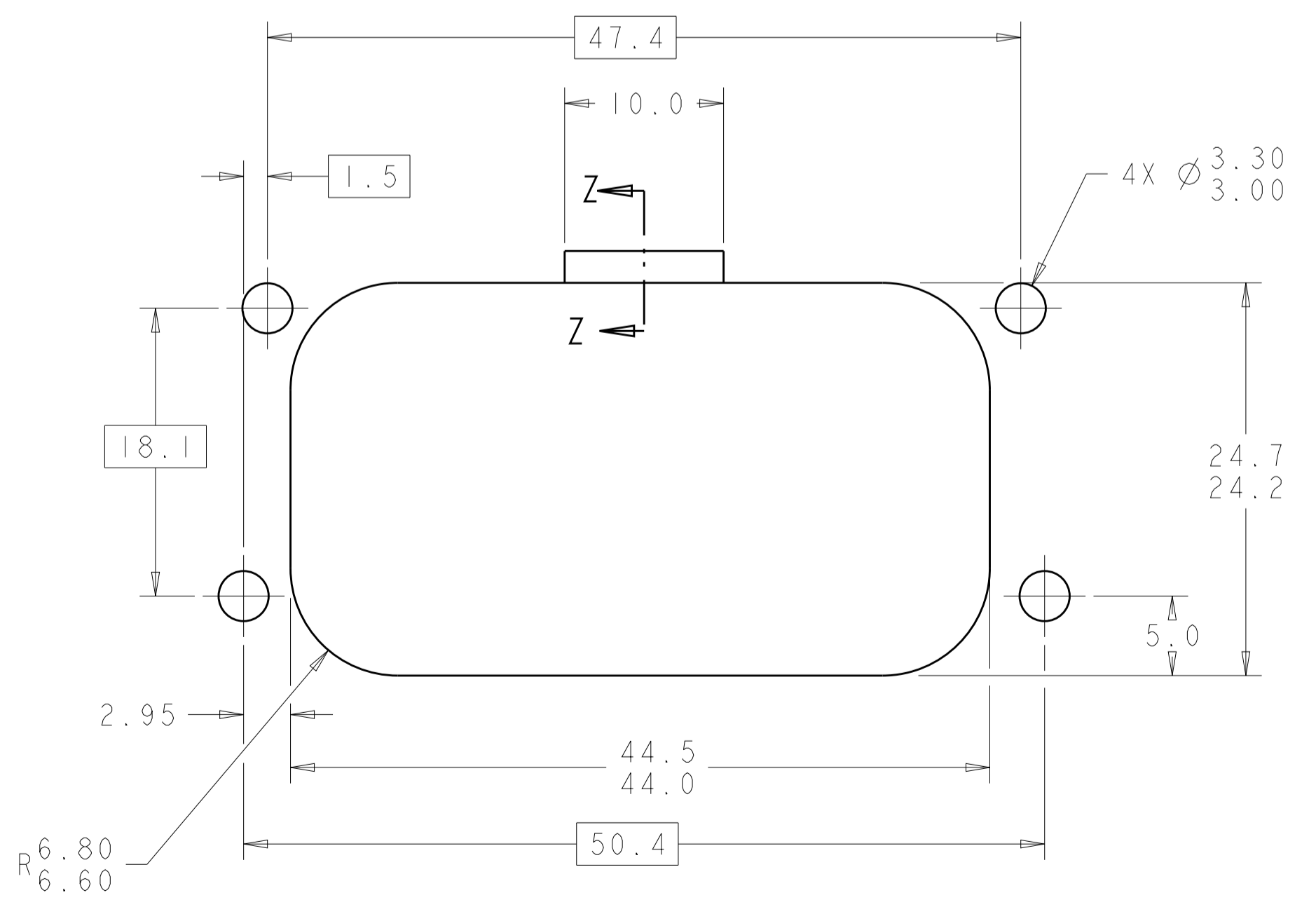
LOC	DIST	REVISIONS					
GE	00	P	LTN	DESCRIPTION	DATE	DWN	APVD
		B2		OBSOLETE ECO-19-002293	28FEB2019	DS	DS



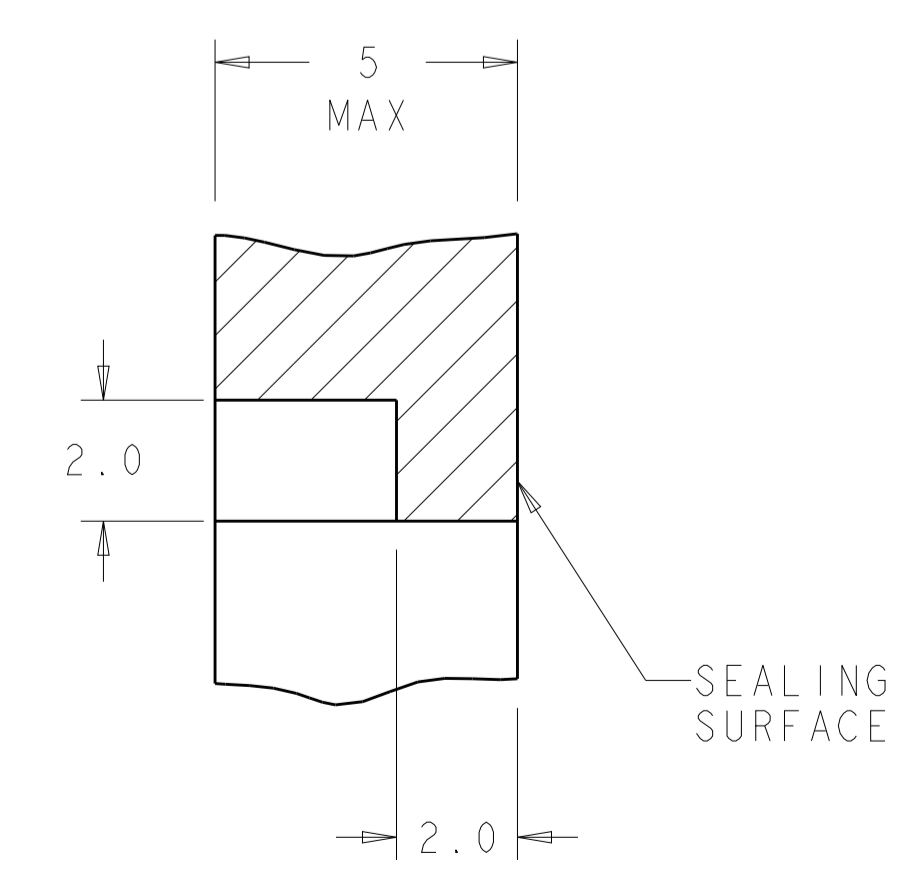
- 1 ACCEPTS #4 SELF TAPPING THREAD FORMING SCREW OR METRIC EQUIVALENT TO BE DRIVEN AT 0.6±0.2 N-M MAX.
- 2 DATE CODE TO BE BRANDED IN THIS LOCATION PER TE SPEC 102-60. USE 5 DIGIT CODE: FIRST 2 DIGITS = YEAR, SECOND 2 DIGITS = WEEK, LAST DIGIT = DAY
- 3 HOUSING COLORS ARE MECHANICALLY KEYS TO MATE ONLY WITH IDENTICALLY COLORED PLUG ASSEMBLIES.
- 4 MATERIAL: HEADERHOUSING - 4/6 NYLON  
PINS - GOLD PLATED BRASS  
GASKET - SILICONE  
FILTER - PBT
- 5. HEADER MATES WITH PLUG ASSEMBLY 770680 WHICH USES REELED TERMINALS 770520 AND LOOSE PIECE TERMINALS 770854



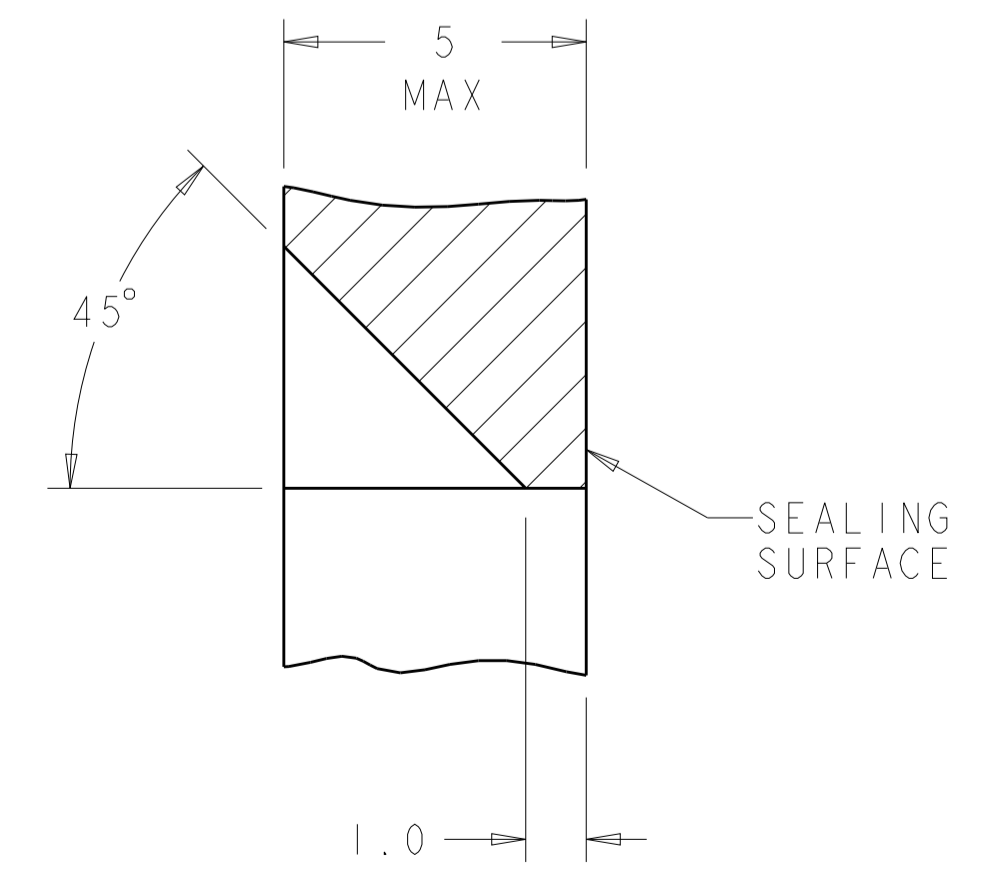
RECOMMENDED P.C. BOARD LAYOUT FOR 1.57 THICK P.C. BOARD



RECOMMENDED MOUNTING HOLE LAYOUT FOR 5.0 MAX THICK PANEL



SECTION Z-Z OPTIONAL CONSTRUCTION IF THICKNESS IS GREATER THAN 2.0 SCALE 8:1



SECTION Z-Z OPTIONAL CONSTRUCTION IF THICKNESS IS GREATER THAN 2.0 SCALE 8:1

**OBSOLETE**

DURAGOLD	NATURAL (WHITE)	1-776336-2
DURAGOLD	BLACK	1-776336-1
FINISH	COLOR	PART NUMBER

DIMENSIONS:		TOLERANCES UNLESS OTHERWISE SPECIFIED:		MATERIAL:		FINISH:		APPROVALS:		CUSTOMER DRAWING:	
mm	0 PLC	±		4	4						
	1 PLC	±0.3									
	2 PLC	±0.13									
	3 PLC	±									
	4 PLC	±									
	ANGLES	±									

**STE** TE Connectivity

NAME: HEADER ASSEMBLY, 23 POSITION HIGH TEMPERATURE RIGHT ANGLE, AMPSEAL

SIZE: A1 CAGE CODE: 114-16016 DRAWING NO: 108-1329 APPLICATION SPEC: 114-16016 WEIGHT: 0.00779g

SCALE: 3:1 SHEET: 1 OF 1 REV: B2