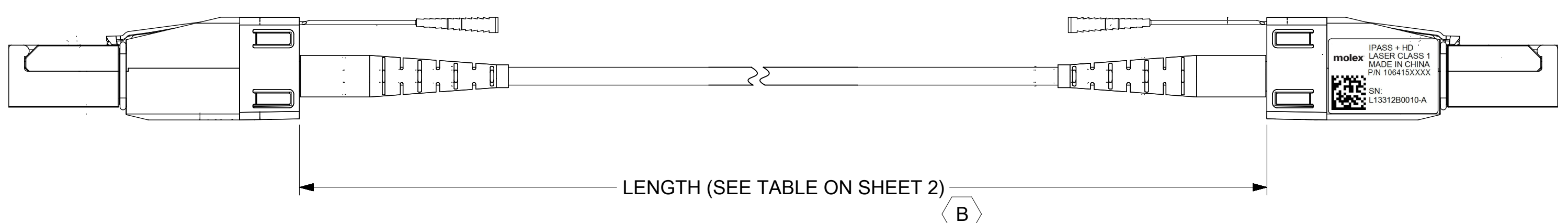
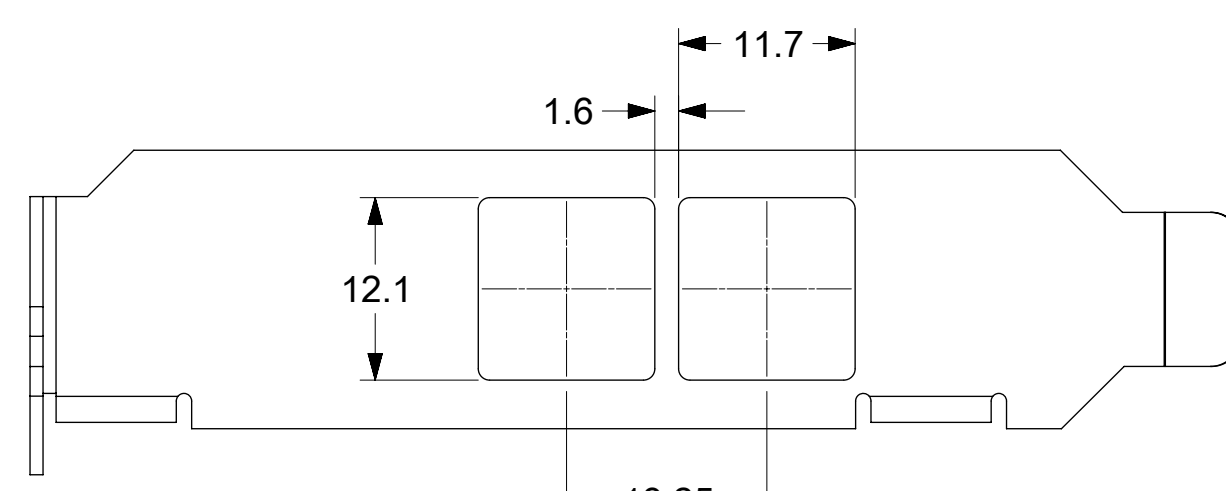
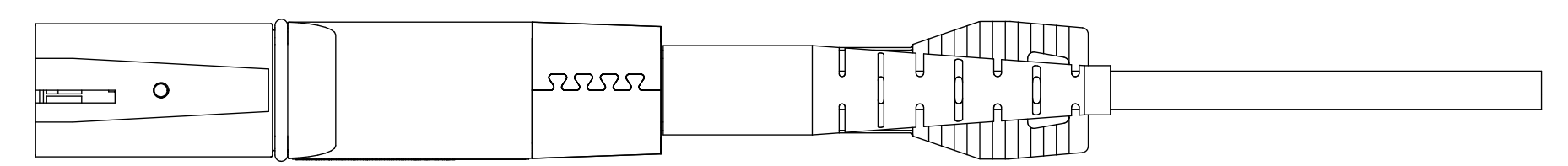
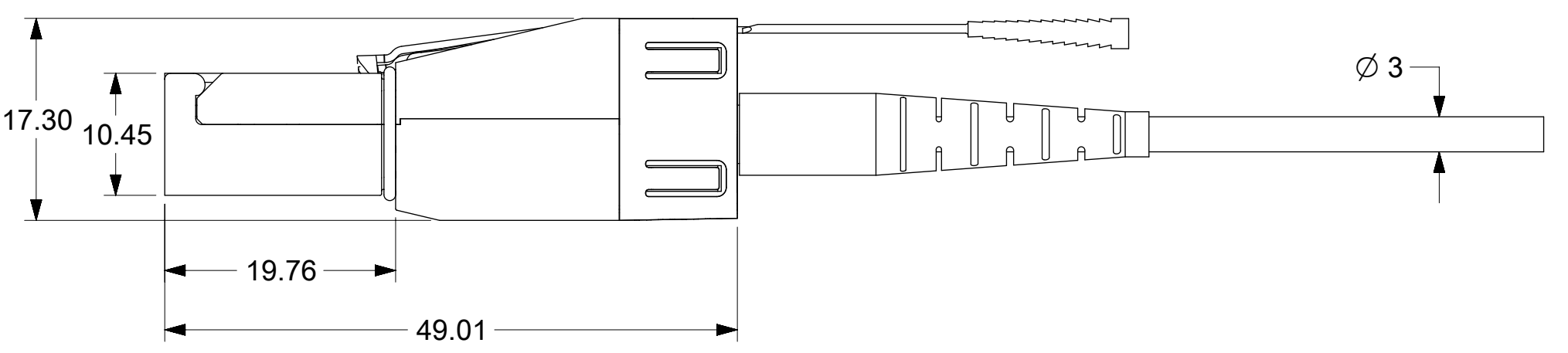
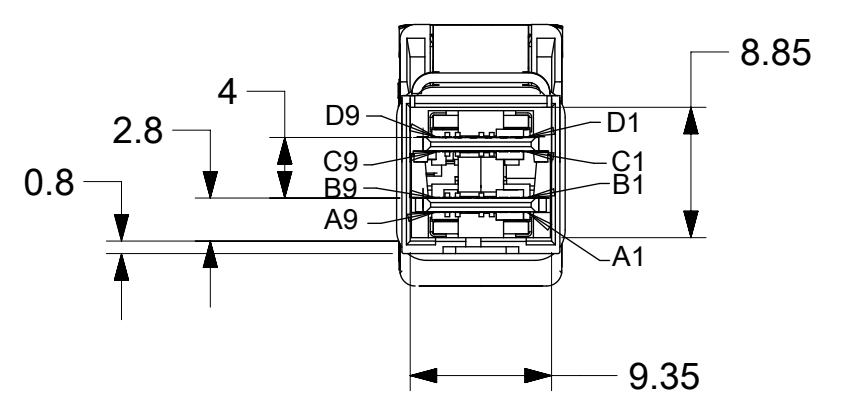
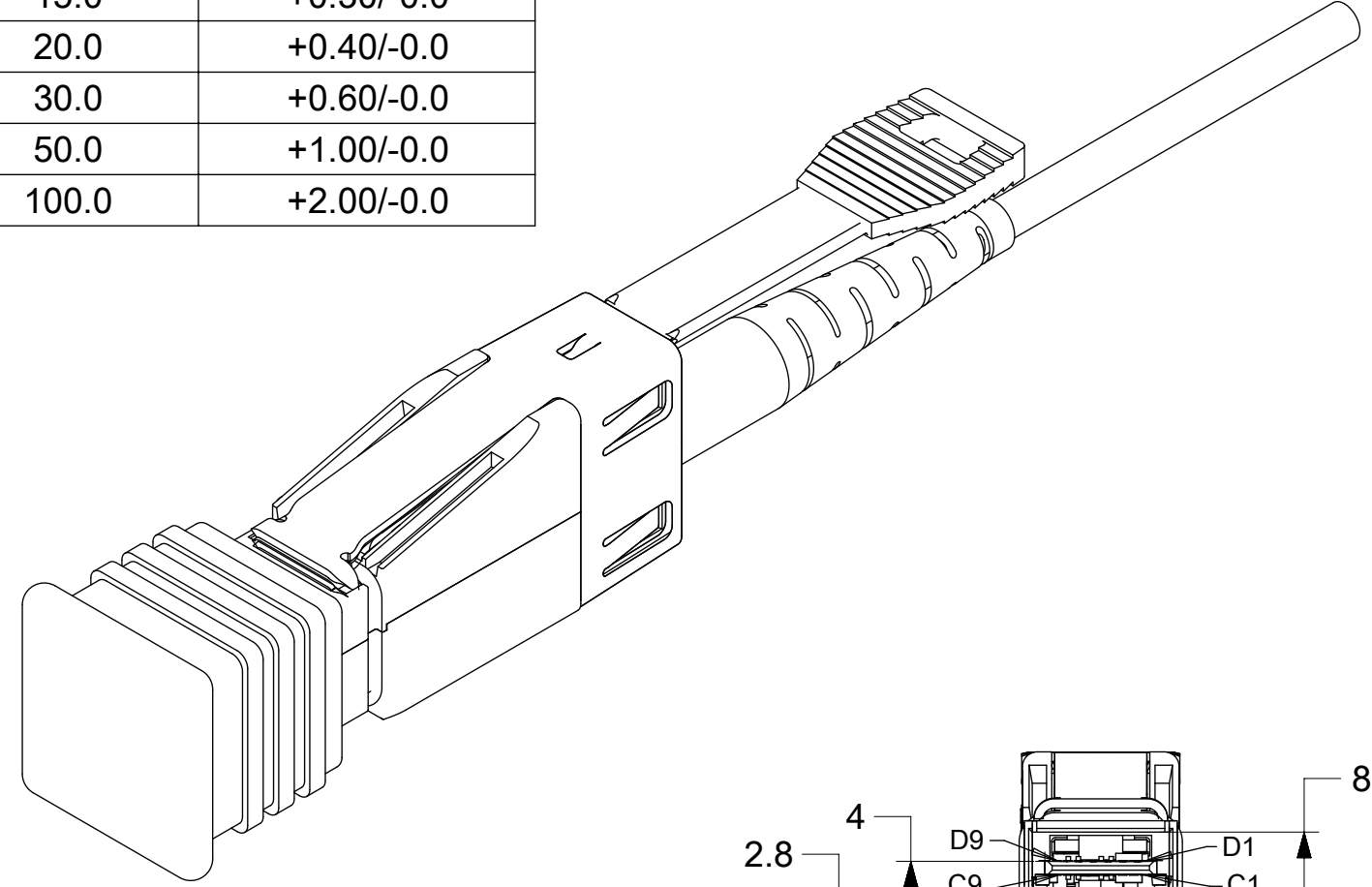
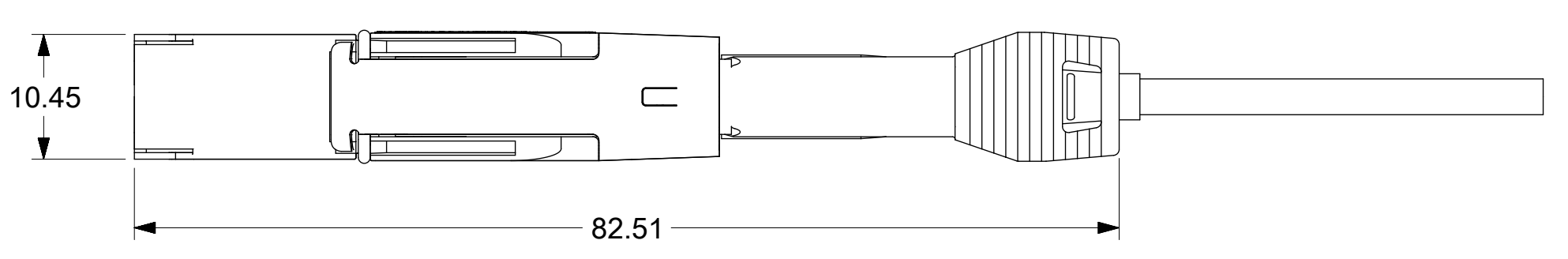


ASSEMBLY P/N	LENGTH (METERS)	TOLERANCE (METERS)
1064152101	1.0	+0.2/-0.0
1064152102	2.0	+0.2/-0.0
1064152103	3.0	+0.2/-0.0
1064152104	4.0	+0.2/-0.0
1064152105	5.0	+0.25/-0.0
1064152106	6.0	+0.25/-0.0
1064152107	7.0	+0.25/-0.0
1064152108	8.0	+0.25/-0.0
1064152110	10.0	+0.30/-0.0
1064152115	15.0	+0.30/-0.0
1064152120	20.0	+0.40/-0.0
1064152130	30.0	+0.60/-0.0
1064152150	50.0	+1.00/-0.0
1064152199	100.0	+2.00/-0.0



JUMPER VIEW  
SCALE 1.5:1



SHIELDED INTEGRATED HD CONNECTOR MINIMUM PITCH

SCALE 2:1

- NOTES:
- MATERIALS:  
BACKSHELLS - ZINC DIECAST WITH NICKEL PLATING.  
LATCH - STAINLESS STEEL.  
PULL - MOLDED PLASTIC, 279C (BLUE)
  - CABLE TYPE PLENUM (OFNP) WITH 8 MULTIMODE FIBERS, MINIMUM BEND RADIUS 25mm, FIBER CORE 50/125um OM3, CABLE JACKET COLOR-AQUA, DIAMETER 3.2mm MAX.
  - ELECTRICAL AND MECHANICALS PER SFF-8644 AND SFF-8636
  - PLUG MATES TO 1X1, 1X2 AND 1X4 RECEPTACLE - EMI HOUSING ASSEMBLY SERIES.
  - THIS PRODUCT COMPLIES WITH EU RoHS PER DIRECTIVE 2011/65/EU AND ITS SUBSEQUENT AMENDMENTS, INCLUDING THE DIRECTIVE EU 2015/863.

THIS DRAWING CONTAINS INFORMATION THAT IS PROPRIETARY TO MOLEX ELECTRONIC TECHNOLOGIES, LLC AND SHOULD NOT BE USED WITHOUT WRITTEN PERMISSION											
DIMENSION UNITS		SCALE		CURRENT REV DESC:							
mm		1:1									
GENERAL TOLERANCES (UNLESS SPECIFIED)				EC NO: 707786						IPASS+ HD AOC, S-TYPE	
ANGULAR TOL ± °				DRWN: IGUMIN 2022/05/23						PRODUCT CUSTOMER DRAWING	
4 PLACES ±				CHK'D: CLIANG06 2022/05/31						DOCUMENT NUMBER	
3 PLACES ±				APPR: CLIANG06 2022/05/31						1064152105	
2 PLACES ±				INITIAL REVISION:						DOC TYPE	
1 PLACE ±				DRWN: MAGHAYERE01 2016/03/04						PSD	
0 PLACES ±				APPR: IGUMIN 2016/03/16						DOC PART	
DRAFT WHERE APPLICABLE MUST REMAIN WITHIN DIMENSIONS				THIRD ANGLE PROJECTION		DRAWING		SERIES		REVISION	
						C-SIZE		106415		1 B	
MATERIAL NUMBER				CUSTOMER				SHEET NUMBER			
SEE TABLE								1 OF 1			