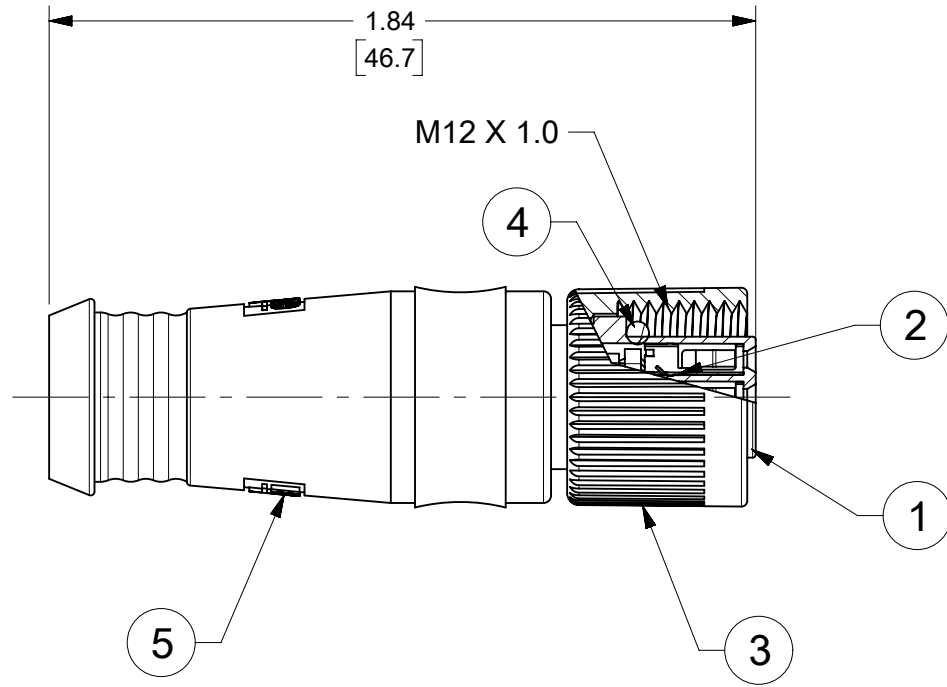
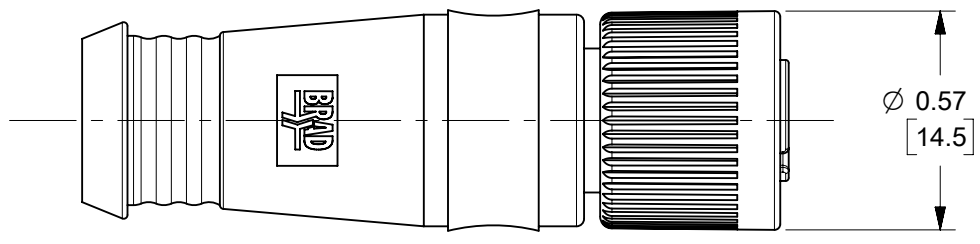
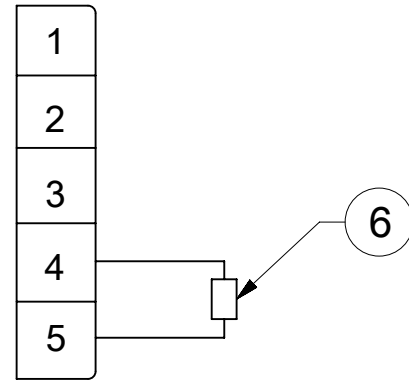


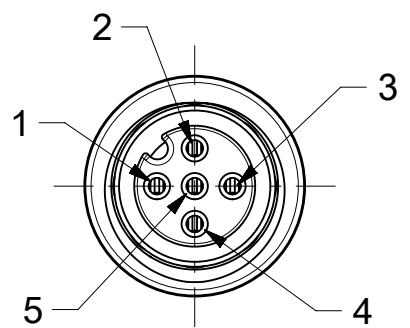
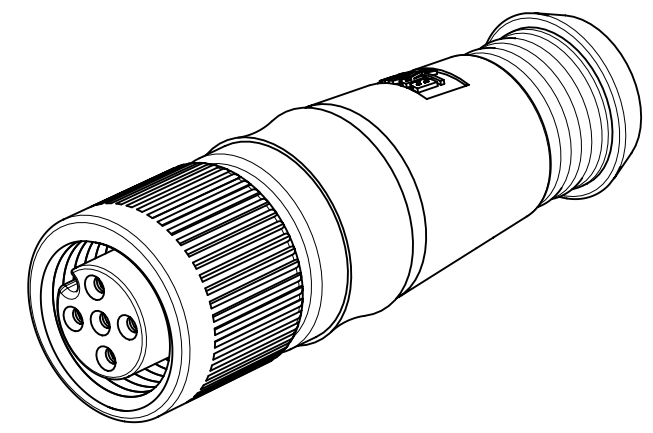
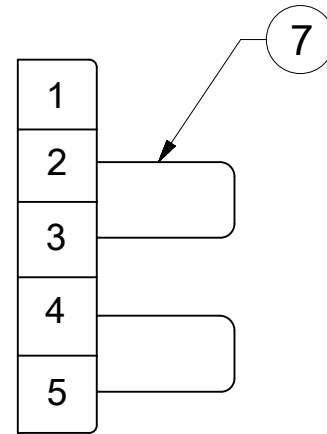
MATERIAL NO.	ENGINEERING NO.	DESCRIPTION
1300390385	DND150	FEMALE STANDARD TERMINATOR WITH RESISTOR
1300390386	DND151	FEMALE TERMINATOR WITH JUMPERS



WIRING DIAGRAM (1300390385)



WIRING DIAGRAM (1300390386)



- NOTES:
1. MATERIAL: SEE TABLE
 2. FINISHES: SEE TABLE
 3. ELECTRICAL SPECIFICATION:
VOLTAGE RATING: 30V
CURRENT RATING: 4.0 AMPS
 4. TEMP RATING: 0°C to +60°C (B)
 5. PROTECTION: IP67 RATED (WHEN MATED) (B)
 6. ALL DIMS ARE FOR REFERENCE UNLESS TOLERANCED OR NOTED OTHERWISE

ITEM	DESCRIPTION	MATERIAL	FINISH
7	JUMPER WIRE, 22 AWG	PVC INSULATION	
6	RESISTOR, 121 OHM, 1/4 WATT, ±1%	CARBON OR METAL FILM	
5	OVERMOLD	GRAY	TPC
4	O-RING	NITRILE	RED
3	FEMALE COUPLING NUT	ZINC DIE-CAST	BLACK E-COAT
2	SOCKET CONTACT	Cu ALLOY	GOLD OVER NICKEL
1	FEMALE INSERT	NYLON	BLACK

DOCUMENT STATUS	P1	RELEASE DATE	2022/06/14	13:48:40
-----------------	----	--------------	------------	----------

FUNCTIONAL SYMBOLS		THIS DRAWING CONTAINS INFORMATION THAT IS PROPRIETARY TO MOLEX ELECTRONIC TECHNOLOGIES, LLC AND SHOULD NOT BE USED WITHOUT WRITTEN PERMISSION			
DIMENSION UNITS: INCH/MM SCALE: 2:1		CURRENT REV DESC: UPDATED ITEM 5 WAS PVC, ADDED TEMP & IP RATINGS			
GENERAL TOLERANCES (UNLESS SPECIFIED)		EC NO: 709714		MICRO-CHANGE TERMINATOR, M12 5 POLE, FEMALE, STRAIGHT, SINGLE KEY DEVICENET	
4 PLACES ±		DRWN: VHANDI 2022/01/11		PRODUCT CUSTOMER DRAWING	
3 PLACES ±		CHKD: RSTONE 2022/06/08		DOCUMENT NUMBER: SD-130039-012	
2 PLACES ±		APPR: BWOODMAN 2022/06/14		DOC TYPE: PSD	
1 PLACE ±		INITIAL REVISION:		DOC PART: 001	
0 PLACES ±		DRWN: RSTONE 2009/08/28		REVISION: B	
ANGULAR TOL ± °		APPR: JFMURPHY 2009/08/31		SHEET NUMBER: 1 OF 1	
DRAFT WHERE APPLICABLE MUST REMAIN WITHIN DIMENSIONS		THIRD ANGLE PROJECTION		MATERIAL NUMBER: SEE TABLE	
		DRAWING: B-SIZE		CUSTOMER: GENERAL MARKET	
		SERIES: 130039			