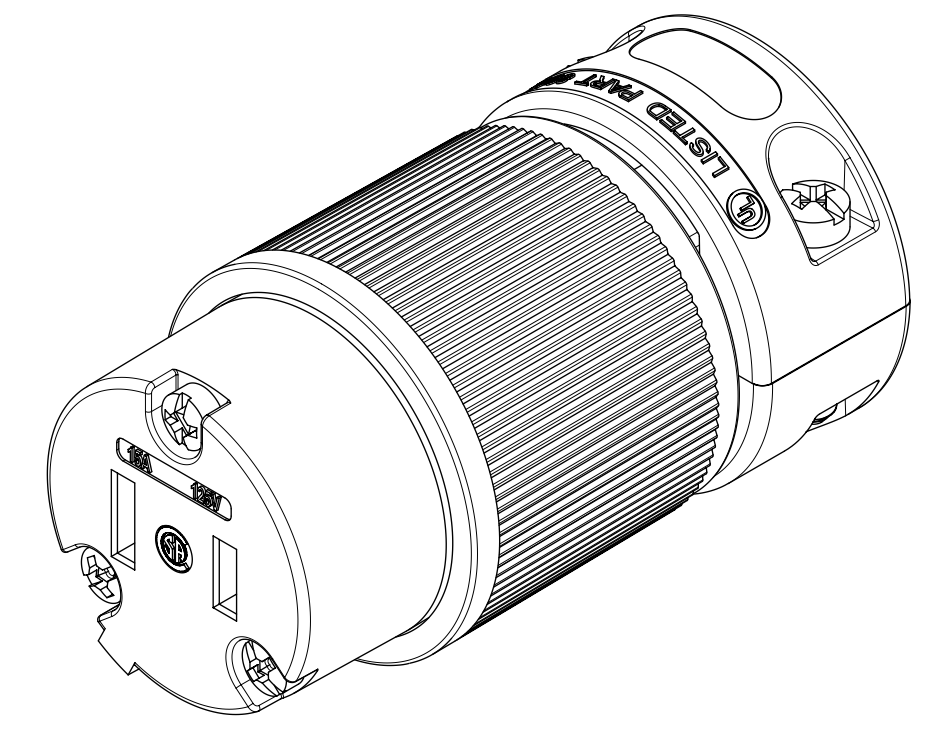
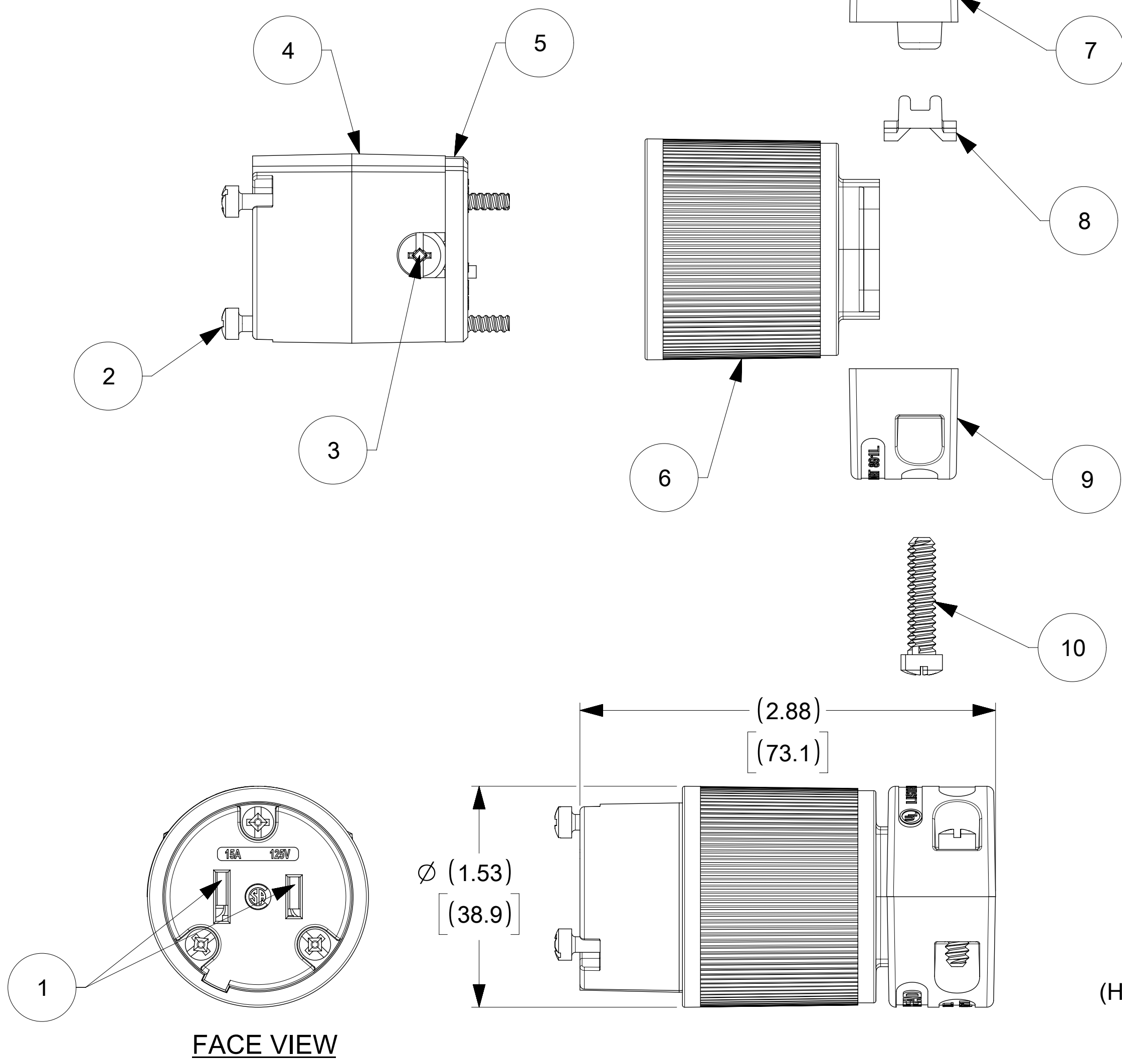
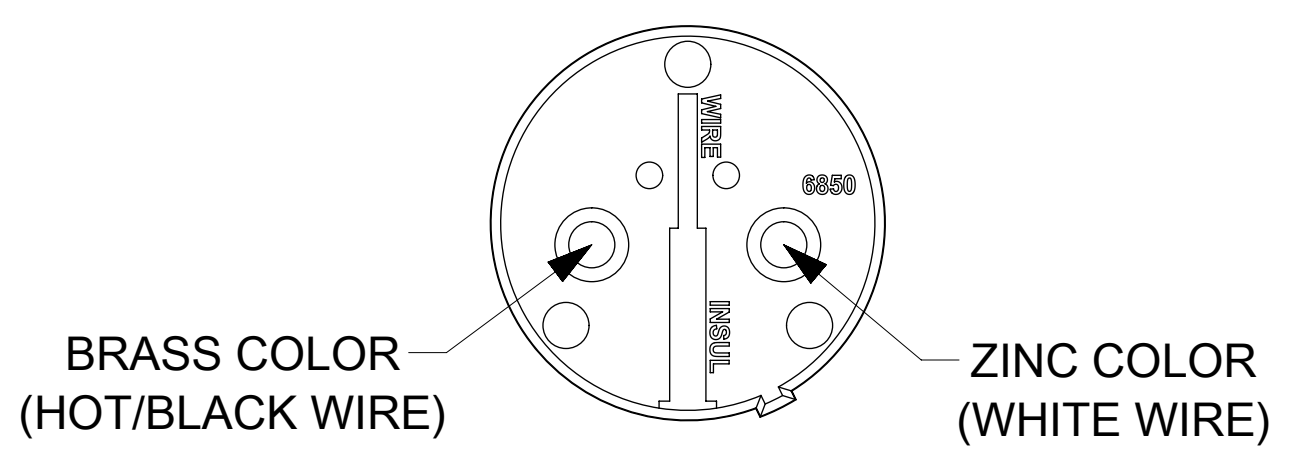


ORDER NO.	WOODHEAD NO.	COLOR
130144-0035	5169	BLACK



**WIRING TERMINATION**



ITEM NO.	DESCRIPTIONS	MATERIAL	QTY.
1	BLADES	BRASS, NICKEL PLATED	2
2	RETAINING SCREWS	STAINLESS STEEL	3
3	TERMINAL SCREWS/CLAMP ASSEMBLY	BRASS, ZINC PLATED	2
4	INSERT	NYLON	1
5	TERMINAL COVER	POLYCARBONATE	1
6	HOUSING	NYLON	1
7	CLAMP CORD MALE	NYLON	1
8	CLAMP CORD INSERT	NYLON	1
9	CLAMP CORD FEMALE	NYLON	1
10	RETAINING SCREWS	STEEL, ZINC PLATED	2

THIS DRAWING CONTAINS INFORMATION THAT IS PROPRIETARY TO MOLEX ELECTRONIC TECHNOLOGIES, LLC AND SHOULD NOT BE USED WITHOUT WRITTEN PERMISSION			
DIMENSION UNITS: INCH[MM] SCALE: NTS		CURRENT REV DESC: NEW RELEASE	
GENERAL TOLERANCES (UNLESS SPECIFIED)		<b>molex</b>	
4 PLACES ± 3 PLACES ± 2 PLACES ± 1 PLACE ± 0 PLACES ±		EC NO: 621778 DRWN: VBASUTHKARP 2019/04/05 CHK'D: DNGUYEN62 2019/12/02 APPR: HKNEELAND 2020/04/11	
ANGULAR TOL ± °		INITIAL REVISION: DRWN: VBASUTHKARP 2019/04/05 APPR: HKNEELAND 2020/04/11	
DRAFT WHERE APPLICABLE MUST REMAIN WITHIN DIMENSIONS		THIRD ANGLE PROJECTION DRAWING SERIES: C-SIZE 130144	
DOCUMENT STATUS: P1 RELEASE DATE: 2020/04/11 00:21:24		PRODUCT CUSTOMER DRAWING DOCUMENT NUMBER: 1301440035 DOC TYPE: PSD DOC PART: 000 REVISION: A	
MATERIAL NUMBER: SEE TABLE CUSTOMER: GENERAL MARKET		SHEET NUMBER: 1 OF 1	